



CUTTING EDGE ENTERPRISES



BOX 43234 REN CEN STATION
DETROIT, MICHIGAN 48243
313-349-2954 MODEM 24 HOURS

January 20, 1986

Thank you for purchasing the Senior PROM version 2.0 for your Apple //e or //c! We greatly appreciate your business! Please make sure the following is enclosed in your Senior PROM package:

- Senior PROM Documentation (54 pages)
- Installation Diagrams
- Deprotection Methods Using the Senior PROM (33 pages)
- Senior PROM Utilities Disk
- The Senior PROM Hardware device

If any of these is missing, please notify *Cutting Edge Enterprises* immediately.

Please be *extremely* careful when installing (and removing) your Senior PROM. It is very easy to bend and/or break one of the pins on the Senior PROM, necessitating repair.

We would like to encourage Senior PROM users to call the Cutting Edge Bulletin Board System at 313-349-2954 using a modem at either 300 or 1200 baud rates. This system is running 24 hours a day, 7 days a week and provides a forum for Senior PROM users to share their ideas and concerns. In addition, you can leave feedback to the System Operator for direct Senior PROM technical support and questions.

Included on the Senior PROM Utilities disk is an option to update your disk to *Diversi-DOS*. Cutting Edge Enterprises highly recommends using *Diversi-DOS*, as it speeds file loading and file saving times dramatically. You only have to update the Senior PROM Utilities disk, and all the disks created by the Utilities disk will have this hi-speed operating system. *Note you should use the 48k, Diversi-DOS update, with the free sector patch.*

In addition, *DCOPY* is also on your Senior PROM Utilities disk. This is an excellent fast copy program for unprotected disks that is many times faster than *COPYA*.

If you do decide to use *Diversi-DOS* or *DCOPY*, please abide by their licensing agreement, as stated. DSR, Inc. needs the support of its users so they can continue their low-cost distribution of their products.

Once again, Cutting Edge Enterprises would like to thank you for purchasing your Senior PROM!

0355Z



CUTTING EDGE ENTERPRISES



BOX 43234 REN CEN STATION
DETROIT, MICHIGAN 48243
313-349-2954 MODEM 24 HOURS

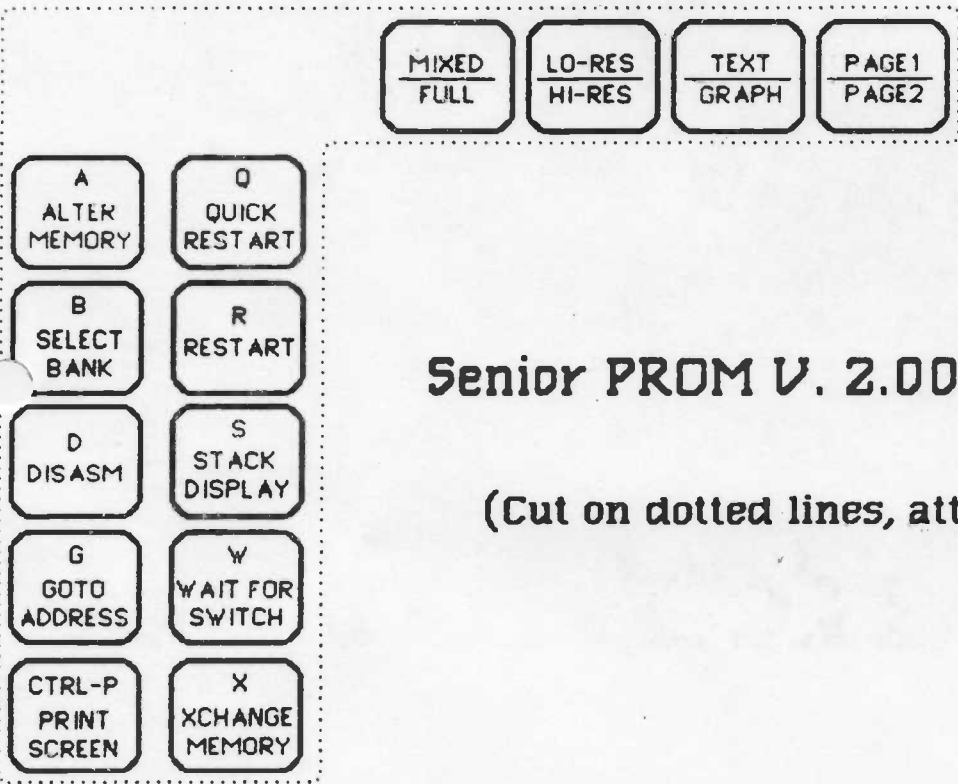
January 20, 1986

Major Differences Between Senior PROM Version 2.0 and Previous Versions.

Here is a brief overview of the new features available in the Senior PROM version 2.0:

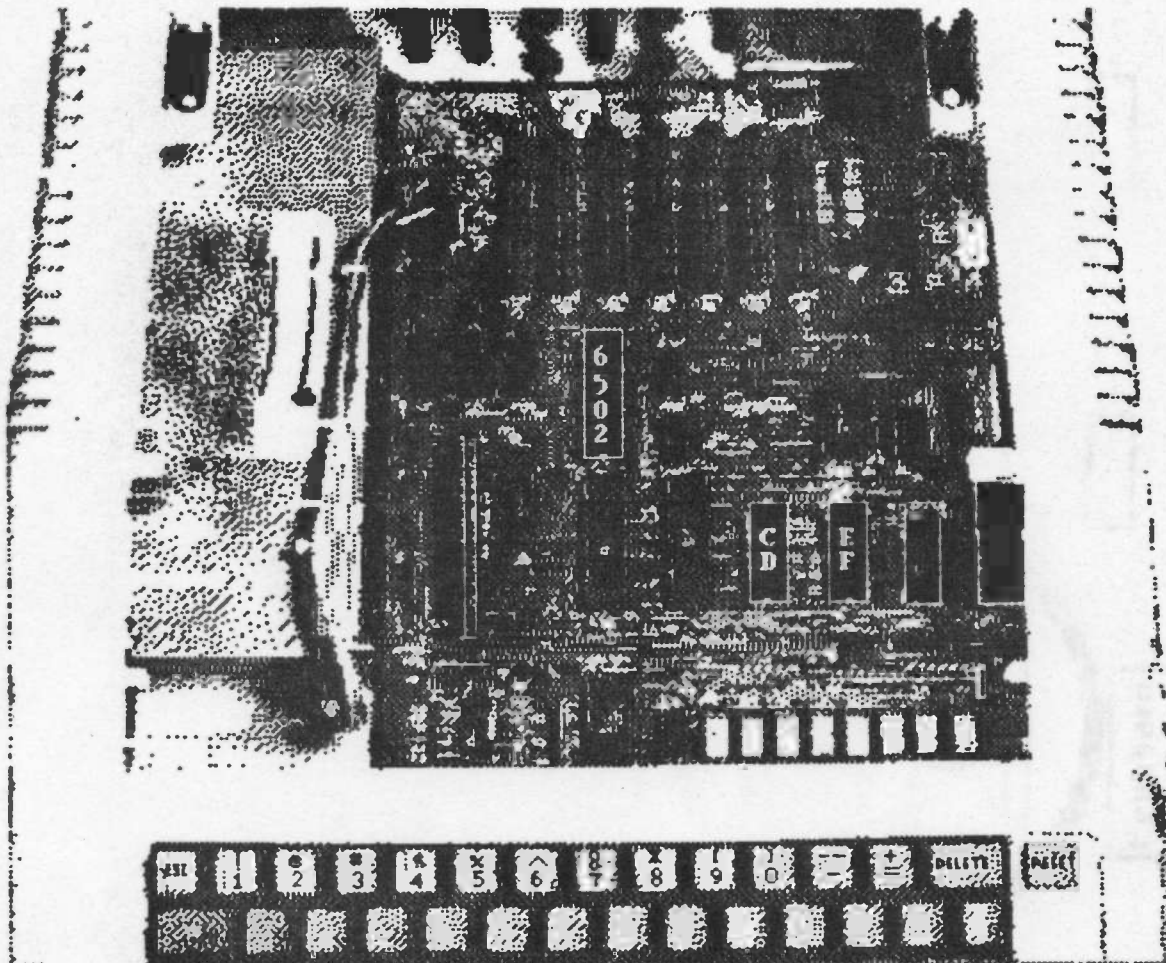
- The ability to boot any 64k program and interrupt it, then boot another 64k program and exchange between using either program instantly, and as much as desired. This allows you to swap between ProDOS and DOS 3.3, or between a database and graphics instantly and as often as needed, for example.
- The ability to interrupt a program in RAM, examine a disassembly of exactly where in memory the program was running and all the registers, and restart the program. This is invaluable for finding where in memory a routine is running (such as a nibble count).
- Disassembly any location in memory between \$200-BFFF including "volatile" memory (text page 1 and the keyboard buffer), and restart the program.
- Examine the "Stack" and restart the program. This provides information on how a program got to the location it is currently running by displaying the return addresses of called subroutines.
- Alter memory from \$00-BFFF, and restart the program. This allows you to interrupt a program, change memory, and restart it to examine the effects.
- After interrupting a program, force it to restart at a specified address without disturbing any memory. This enables you to see exactly what effects a subroutine has on the program.
- "Hot Print" the contents of text page 1. After interrupting a program you may print the exact contents of text page 1 on your printer, and then restart the program.

0942Z

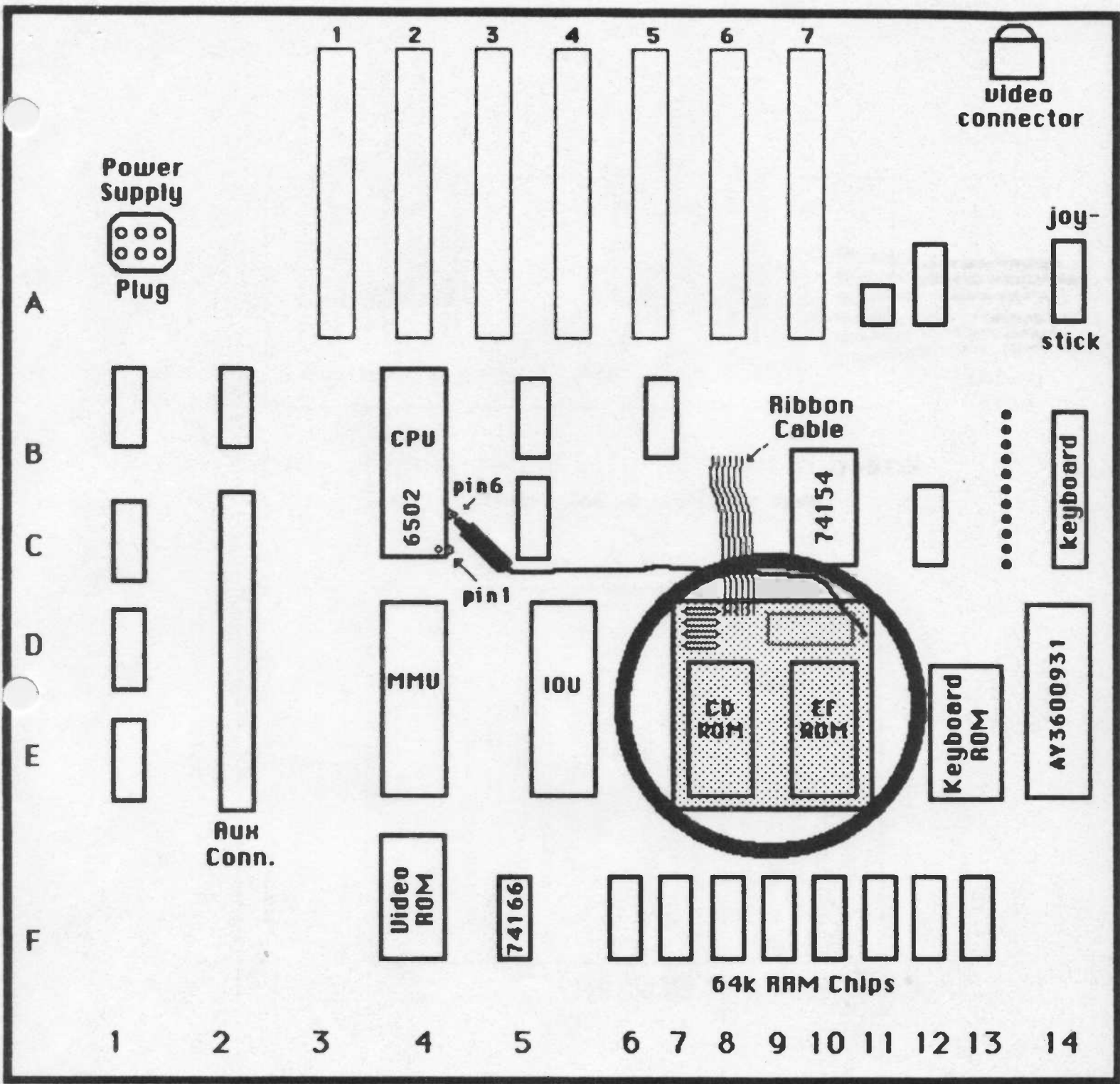


Senior PROM V. 2.00 Key Reference

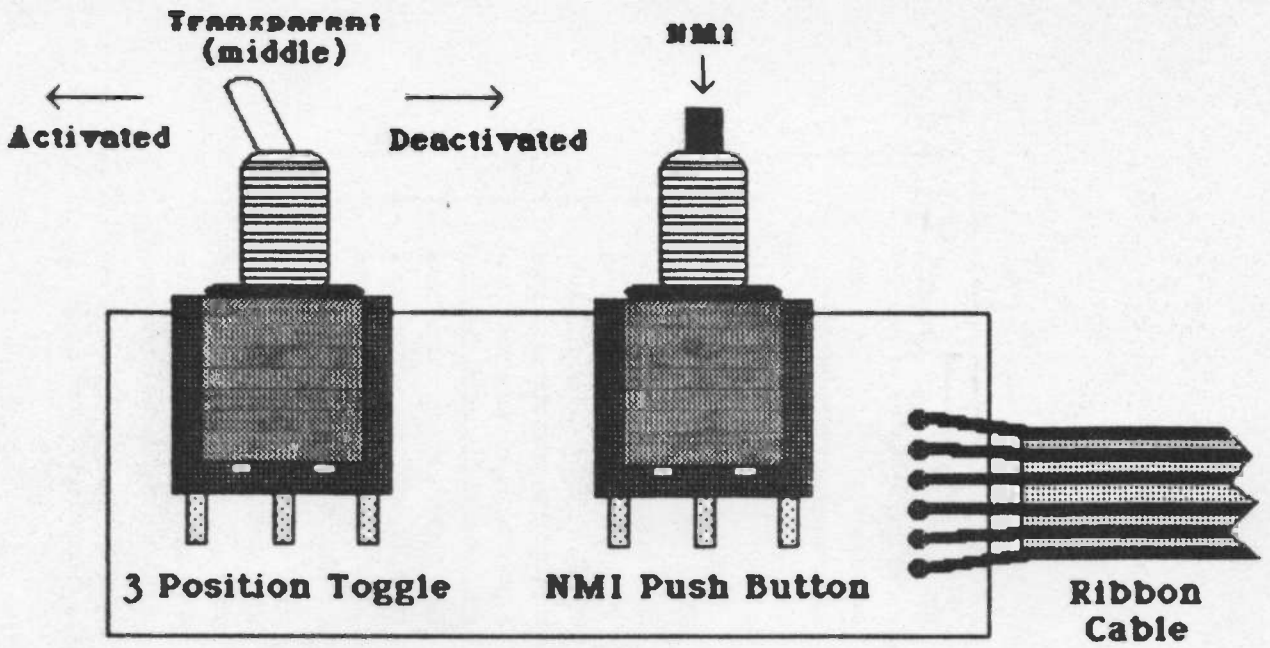
(Cut on dotted lines, attach to keyboard)



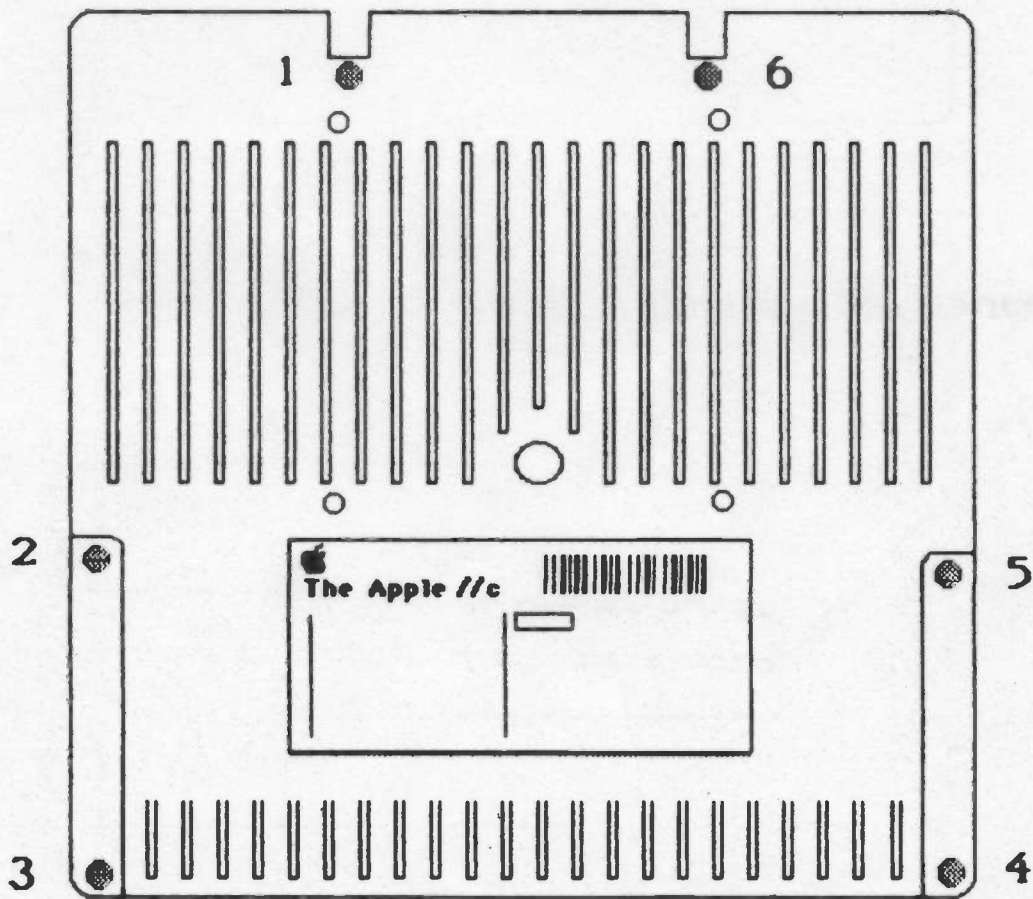
Location of CD and EF ROMs in an Apple IIe



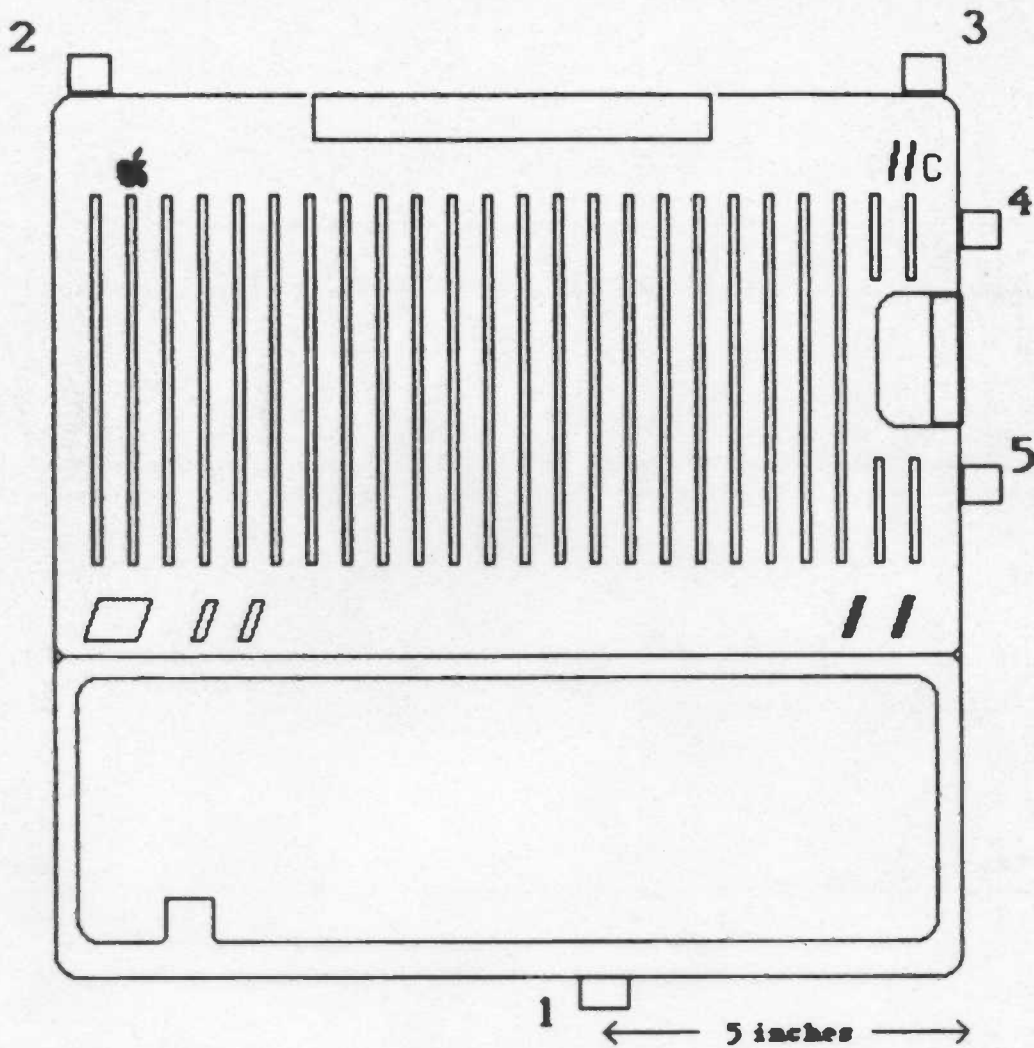
Senior PROM Install in Apple //e.



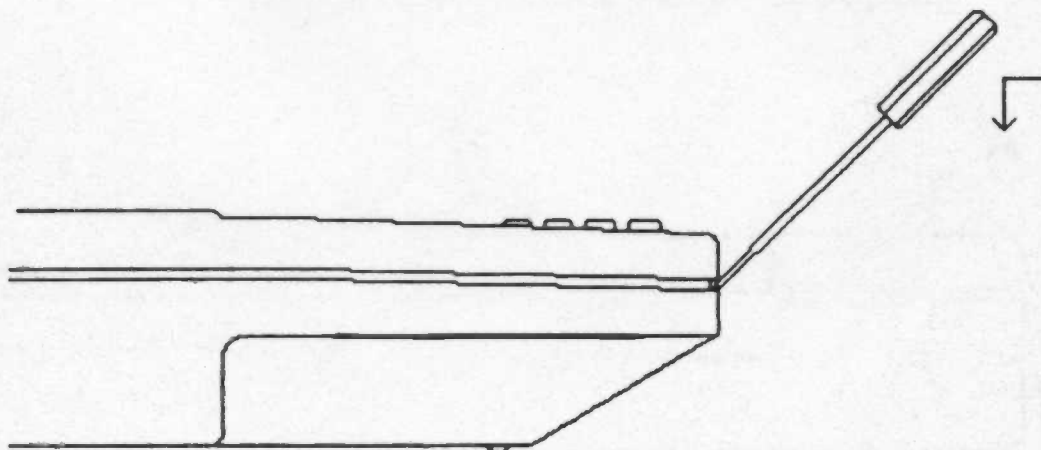
**Figure - Senior PROM External Switch Board
(attach to right side of computer case)**



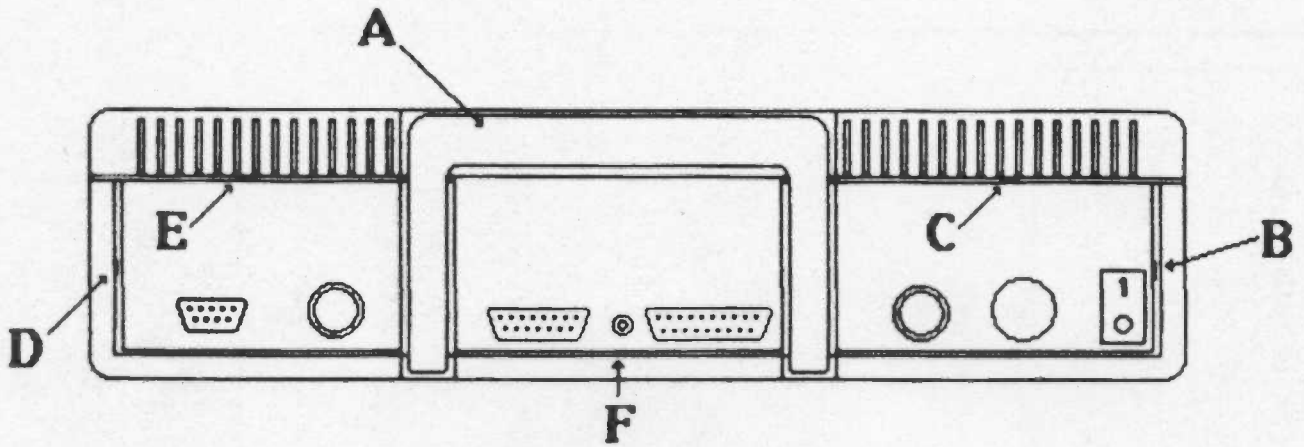
**//c Figure 0 - Screws to remove, Bottom view
(do not remove any other screws!)**



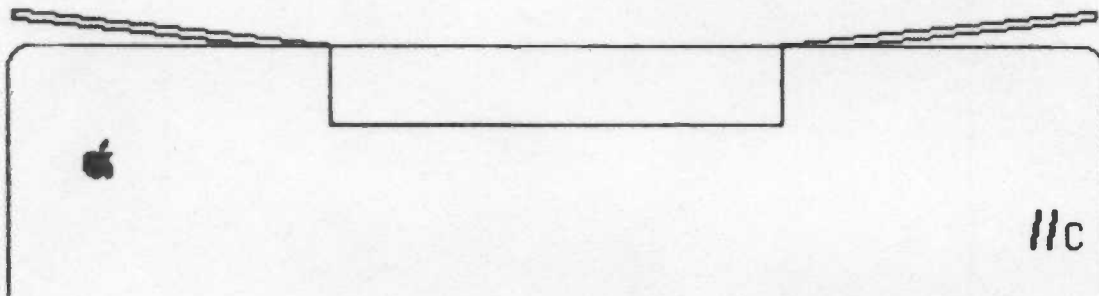
//c Figure 1 - Top View with Opening Sequence



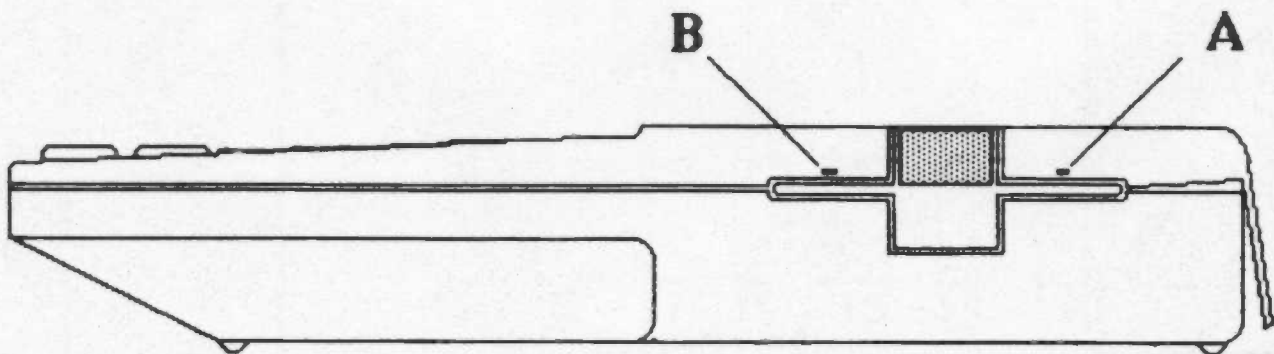
//c Figure 2 - First Step



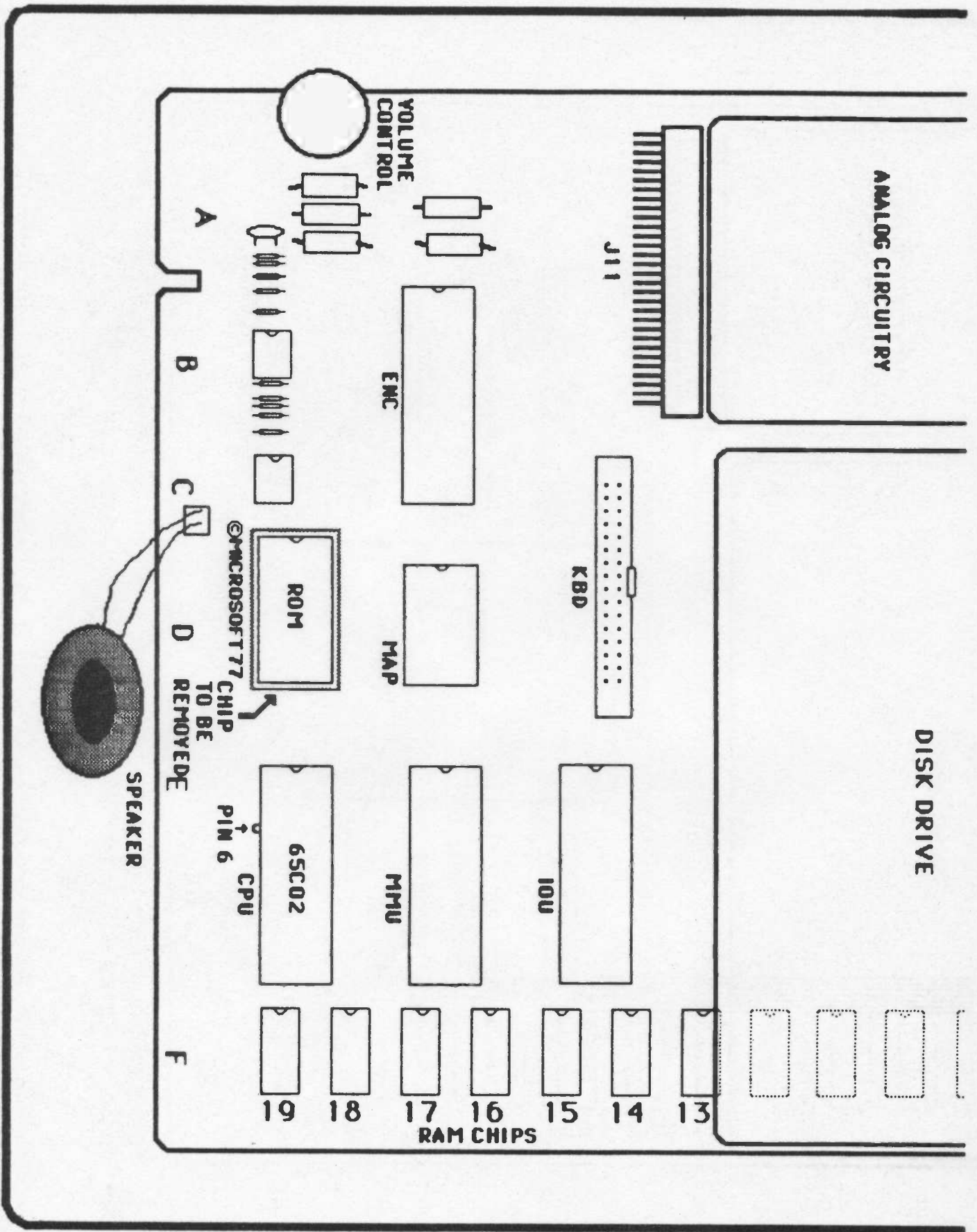
//c Figure 3 - Back Sequencing



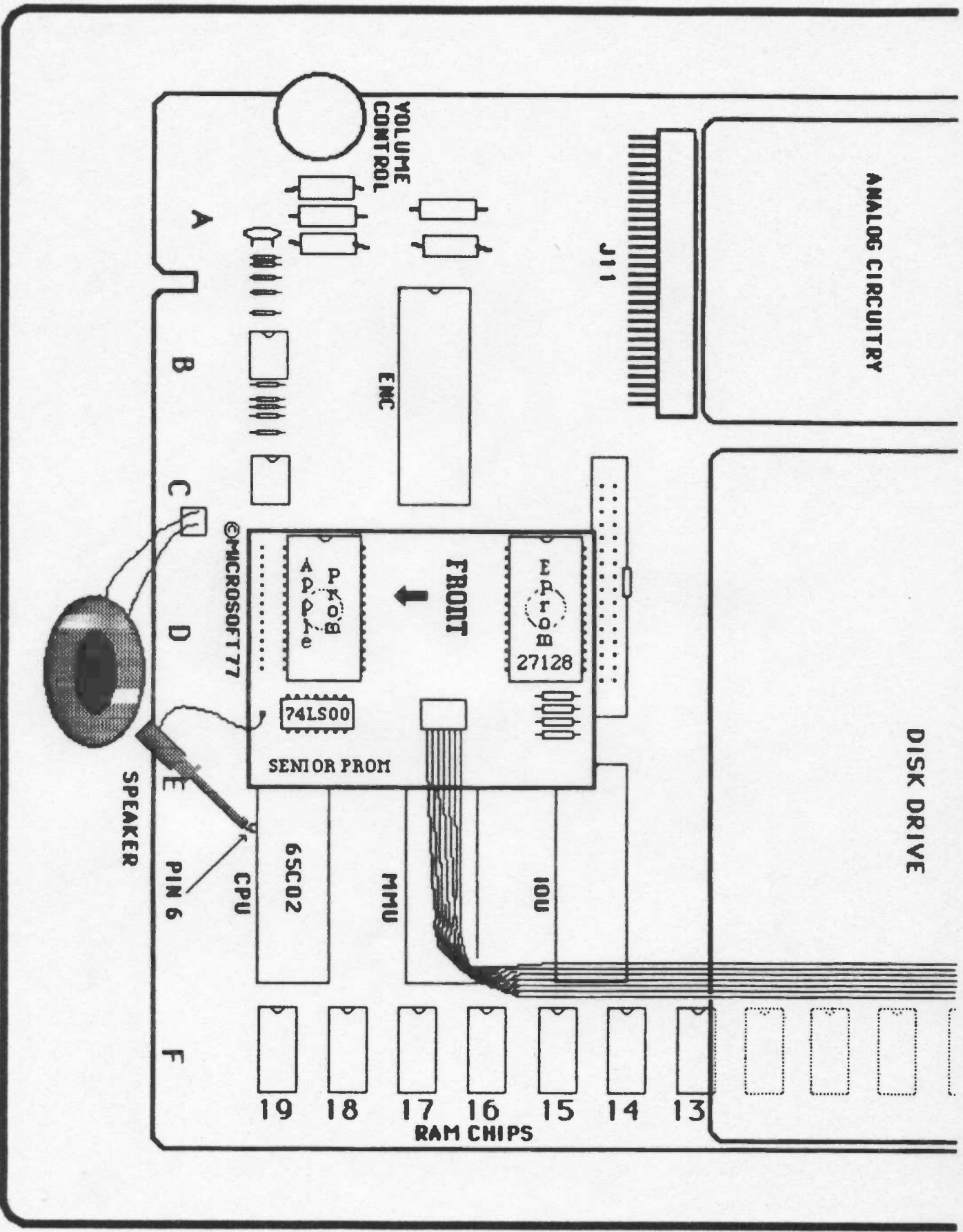
//c Figure 4 - Top View of Back After "Popping"



//c Figure 5 - Right Side



//c Figure 6 - IIc Mother Board



//c Figure 7 - IIC with Senior Prom Installed