

COMPUTER:

APPLE® IIc

COMPUTER MODEL A2S4000

MONITOR MODEL A2M4090 (G090S)



TECHNICAL SERVICE DATA FOR YOUR COMPUTER

Preface

This manual is comprised of loose pages that were folded in half & then numbered to produce a set of 4 loose-leaf booklets. As a result, graphics are split and halves do not appear on consecutive pages. For example, one graphic's left half was page 26 and the right half was page 3 of the first booklet!

Because of this, the manual is presented in page order, and then some of the split graphics (which spanned 2 or more pages) follow again but in proper sequence at the end of the booklet for easy viewing.

DISK DRIVE

See Folder CSCS7-A

MONOCHROME MONITOR

See Folder CSCS7-B

**KEYBOARD, SYSTEM BOARD
POWER SUPPLY**

APPLE
MODEL IIc
CSCS7



CSCS7
APPLE
MODEL IIc

SAFETY PRECAUTIONS

See page 6.

PRELIMINARY SERVICE CHECKS

ENCLOSED

INDEX

	Page		Page
Block Diagram	12	Photos (Continued)	
Disassembly Instructions	4	Switching Power Supply Board	21,23
General Operating Instructions	4	System Board	22,25
GridTrace Location Guide		Safety Precautions	6
Switching Power Supply Board	20	Schematics	
System Board	7	IC Pinouts & Terminal Guides	5,24
Line Definitions	20	Keyboard	2
Logic	17,18,19	Notes	6
Miscellaneous Adjustments	12	Switching Power Supply	3,26
Parts List	13,14,15,16	System Board	2,27,28,29
Photos		Test Equipment	8
Keyboard	17	Troubleshooting	8,9,10,11,12



Howard W. Sams & Co., Inc.

4300 West 62nd Street, P.O. Box 7092, Indianapolis, Indiana 46206 U.S.A.

The listing of any available replacement part herein does not constitute in any case a recommendation, warranty or guaranty by Howard W. Sams & Co., Inc., as to the quality and suitability of such replacement part. The numbers of these parts have been compiled from information furnished to Howard W. Sams & Co., Inc., by the manufacturers of the particular type of replacement part listed.

Reproduction or use, without express permission, of editorial or pictorial content, in any manner, is prohibited. No patent liability is assumed with respect to the use of the information contained herein.

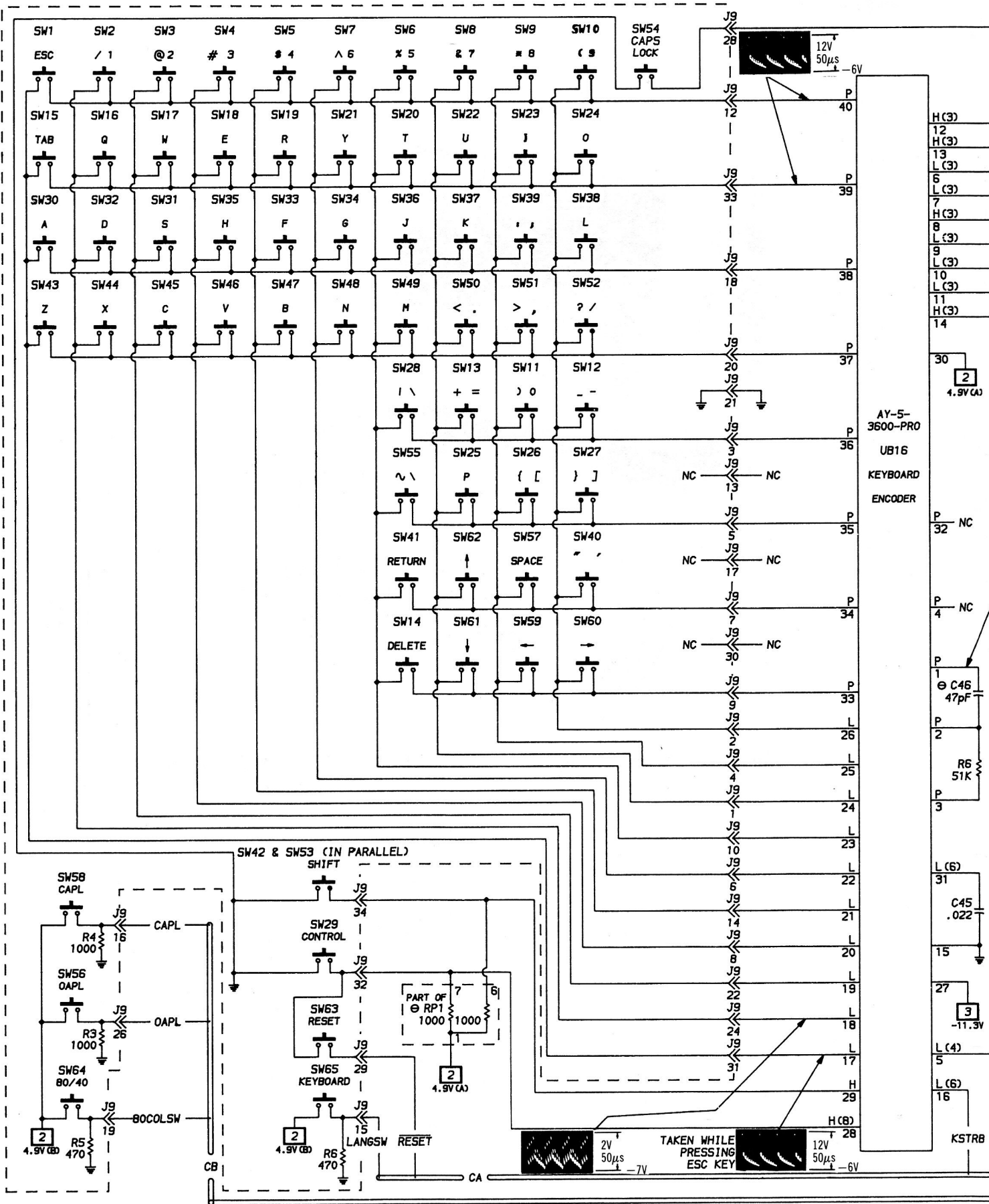
© 1985 Howard W. Sams & Co., Inc.

4300 West 62nd Street, P.O. Box 7092, Indianapolis, Indiana 46206 U.S.A.

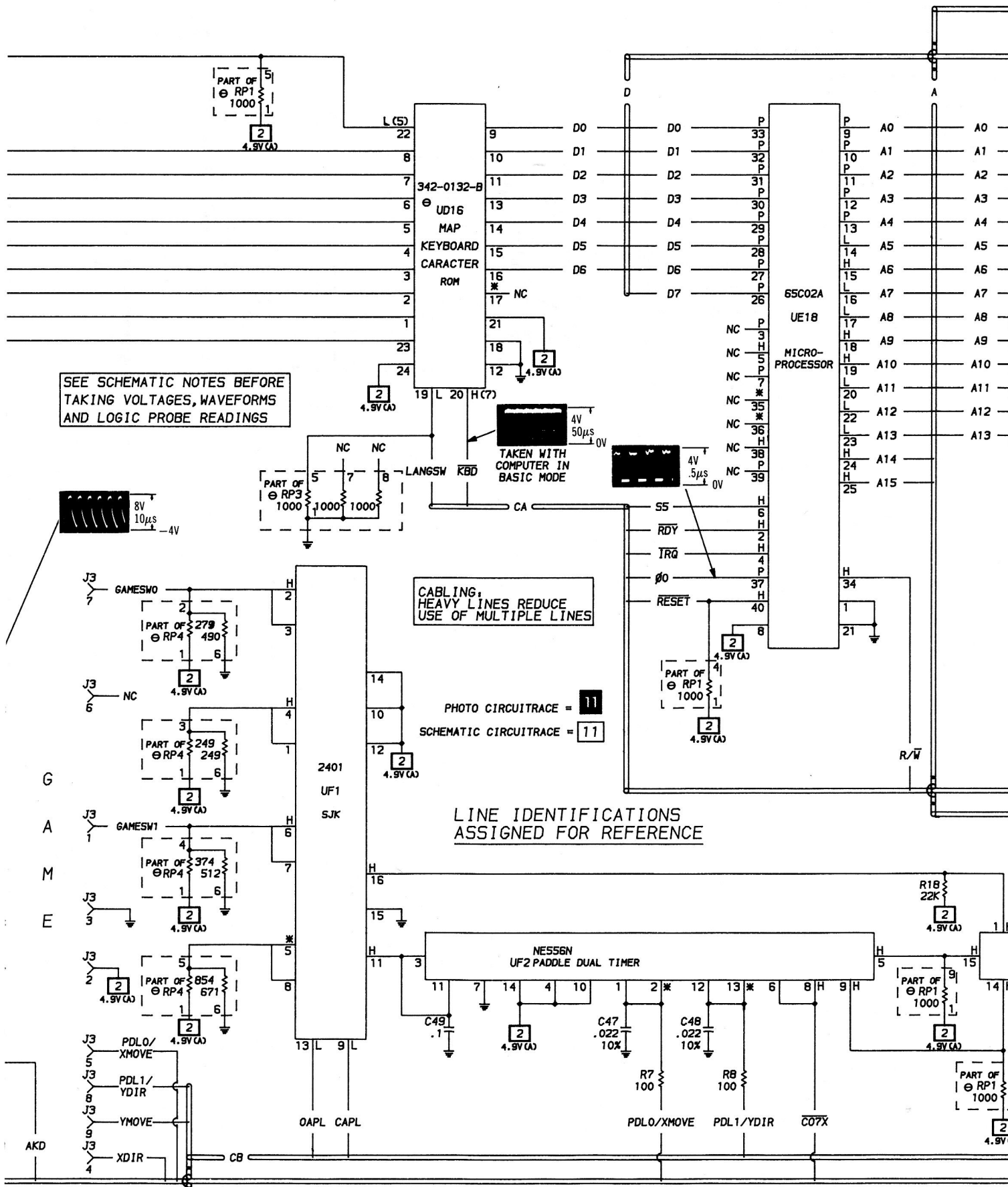
Printed in U.S. of America.

85CS14956

DATE 9-85



KEYBOARD



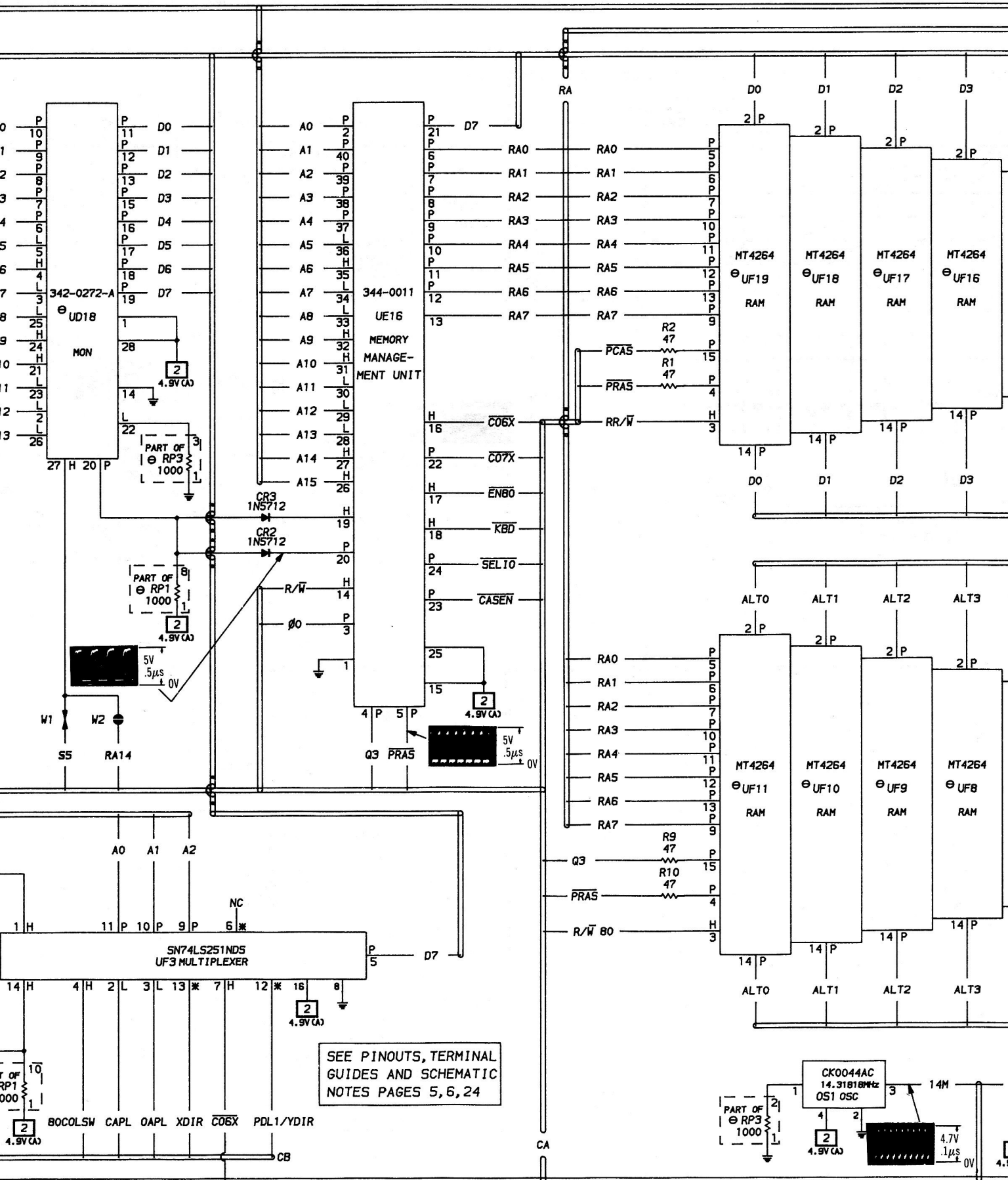
SEE SCHEMATIC NOTES BEFORE
TAKING VOLTAGES, WAVEFORMS
AND LOGIC PROBE READINGS

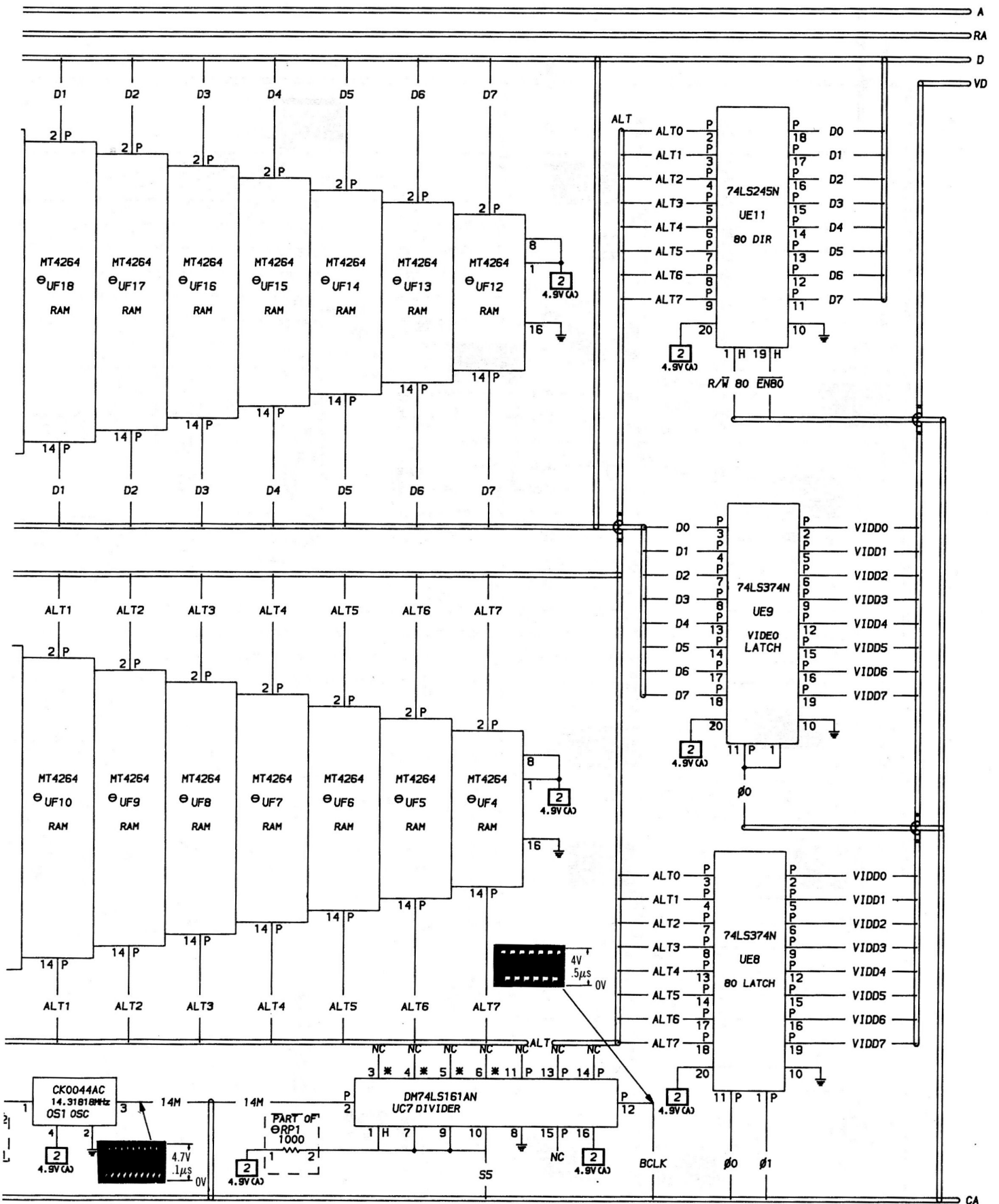
CABLING,
HEAVY LINES REDUCE
USE OF MULTIPLE LINES

PHOTO CIRCUITRACE = 11
SCHEMATIC CIRCUITRACE = 11

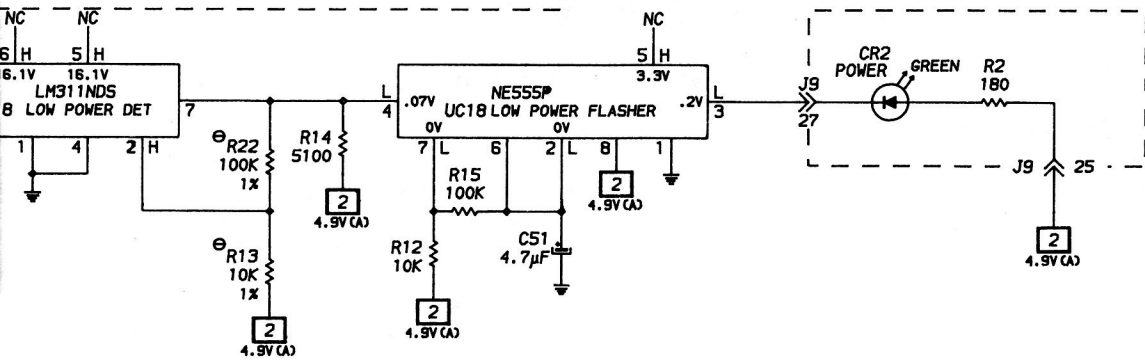
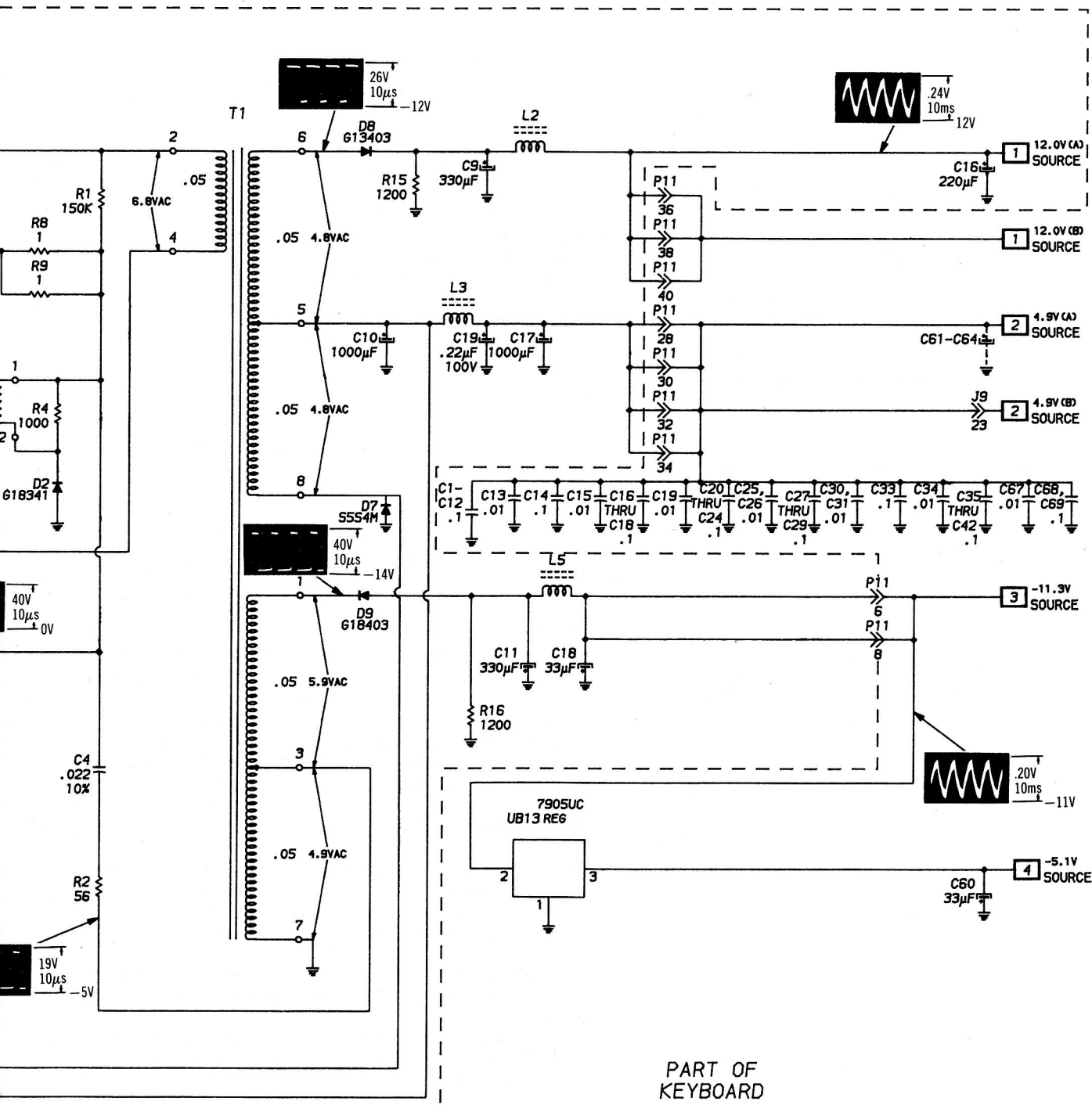
LINE IDENTIFICATIONS
ASSIGNED FOR REFERENCE

A PHOTOFACT STANDARD NOTATION SCHEMATIC
WITH **CIRCUITRACE**





APPLE
SYSTEM BOARD MODEL IIc



SWITCHING POWER SUPPLY

GENERAL OPERATING INSTRUCTIONS

POWER UP

The Computer will boot up automatically on any bootable diskette that is in the Disk Drive when turned On. If no diskette is in the Disk Drive when the Computer is turned On, the Computer will come up with "Apple IIc" and "Check Disk Drive" on the Monitor screen. Press the Control and Reset keys at the same time to put the Computer in Basic mode.

SWITCHING FROM BASIC TO MONITOR MODE

Type CALL-151 and press RETURN key. An asterisk will appear on the Monitor screen indicating the Computer is in the Monitor mode.

SWITCHING FROM MONITOR TO BASIC MODE

Press the CONTROL and C keys at the same time, then press the RETURN key (any Basic program already in memory, before going to the Monitor mode, will remain in memory).

Press the CONTROL and B keys at the same time, then press the RETURN key (any Basic program in memory will be lost).

RESET

Press the CONTROL and RESET keys at the same time to reset the Computer to Basic mode. Press the OPEN APPLE key (located on the left side of SPACE bar), CONTROL key and RESET key at the same time to reboot the system on any bootable diskette in the Disk Drive.

OPERATING THE DISK SYSTEM FROM BASIC MODE (DOS3.3)

Type CATALOG and press the RETURN Key to get a list of the programs which are on the diskette. Type CATALOG, D1 for Disk Drive 1 or CATALOG, D2 for Disk Drive 2 if the current Disk Drive is not the one desired.

Type LOAD and the program name, then press the RETURN key to load a program from the diskette.

Type SAVE and the program name, then press the RETURN key to save a program on the diskette.

BOOTING UP THE DISK OPERATING SYSTEM (DOS)

Insert a diskette containing a DOS into the Disk Drive and turn On the Computer. The Computer will automatically load the DOS and come up in Basic mode if DOS3.3 is used. If PRODOS is used the Computer will come up with menu of PRODOS features on the Monitor screen.

To boot from Basic mode, type PR#6 or 1N#6 and press the RETURN key. If there is no diskette in the Disk Drive, the Disk Drive will stop and the message "Check Disk Drive" will appear on the Monitor screen.

DOS can also be rebooted by pressing the OPEN APPLE key (located on left side of SPACE bar), CONTROL key and RESET key at the same time.

USING BLANK DISKETTES

A blank diskette must be initialized (DOS3.3) or Formatted (PRODOS) before it can be used to save data. To initialize a diskette using DOS3.3, boot the disk operating system from a diskette containing DOS3.3, remove the DOS3.3 diskette and put the blank diskette into the Disk Drive. Type INIT HELLO and press the RETURN key. The diskette will be initialized when the drive stops. NOTE: Any previous information on diskette will be over written and lost when initialized.

If PRODOS is being used, select the PRODOS FILER (press F key) from the menu that comes up when PRODOS is booted up. Select Volume Commands (press V key) from the second menu that comes up and then select Format A Volume (press F key) from the third menu that comes up. Insert the blank diskette into the Disk Drive and follow the instructions on the Monitor screen to format the diskette.

80/40 COLUMN SWITCH

This switch takes effect only if the program being used checks to see if the switch is down (40 column) or up (80 column). The program then automatically sets the 40 or 80 column mode according to the switch setting.

To select 80 column mode manually press the ESC key then press the 8 key or type PR#3 and press the Return key.

To select 40 column mode manually press the ESC key then press the Control and Q keys at the same time or type PR#0 and press the Return key.

DISASSEMBLY INSTRUCTIONS

CABINET REMOVAL

Turn the Computer upside down. Remove four screws from under the keyboard and two screws located in front of the handle. Turn the Computer right side up and extend the handle. Release the front latch tab. Lift the top front up and back to clear the rear panel.

DISK DRIVE REMOVAL

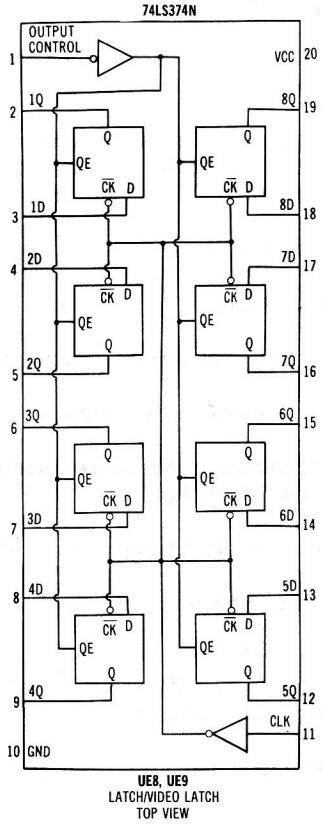
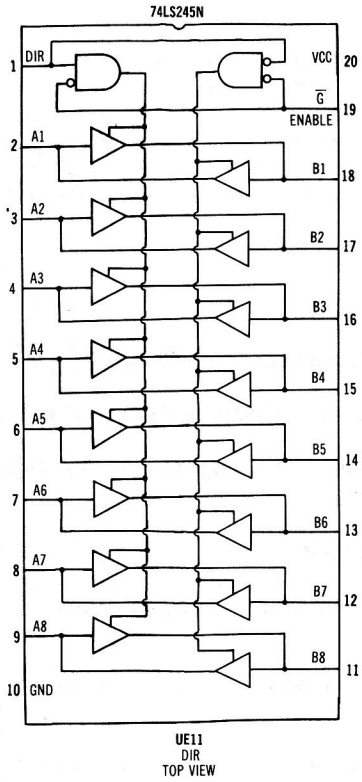
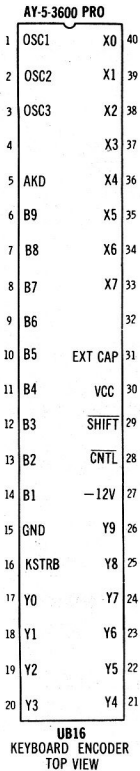
Remove four screws from cabinet bottom. Disconnect Disk Drive from System board and remove Disk Drive.

POWER SUPPLY REMOVAL

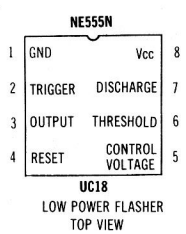
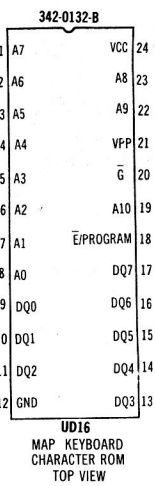
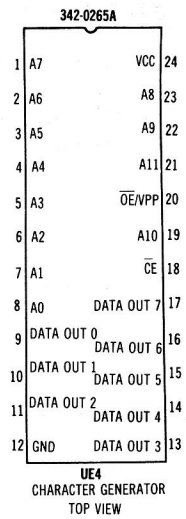
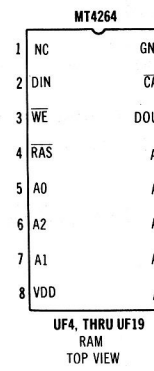
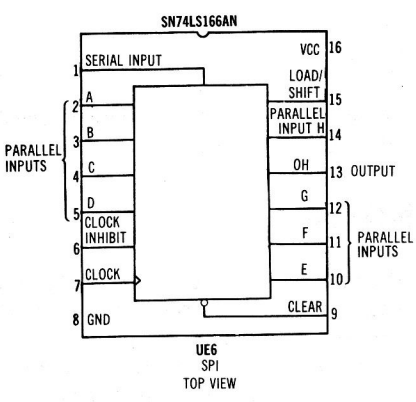
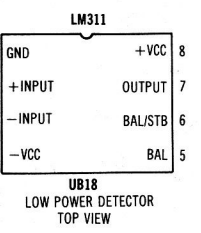
Remove two screws securing Switching Power Supply. Slide Switching Power Supply back and remove from Connector. To remove Switching Power Supply board from shield, remove the two screws near the edge connector and loosen the screw on the side of the shield. Slide the shield backward to free lock tabs and carefully separate from board.

SYSTEM BOARD REMOVAL

Disconnect the speaker. Remove nine screws holding System board and remove.



CSCS7
APPLE
MODEL IIC



SAFETY PRECAUTIONS

1. Use an isolation transformer for servicing.
2. Maintain AC line voltage at rated input.
3. Remove AC power from the Computer system before servicing or installing electrostatically sensitive devices. Examples of typical ES devices are integrated circuits and semiconductor "chip" components.
4. Use extreme caution when handling the printed circuit boards. Some semiconductor devices can be damaged easily by static electricity. Drain off any electrostatic charge on your body by touching a known earth ground. Wear a commercially available discharging wrist strap device. This should be removed prior to applying power to the unit under test.
5. Use a grounded-tip, low voltage soldering iron.
6. Use an isolation (times 10) probe on scope.
7. Do not remove or install boards, floppy disk drives, printers, or other peripherals with Computer system AC power On.
8. Do not use freon-propelled sprays. These can generate electrical charges sufficient to damage semiconductor devices.
9. This Computer system is equipped with a grounded three-pronged AC plug. This plug must fit into a grounded AC power outlet. Do not defeat the AC plug safety feature.
10. Periodically examine the AC power cord for damaged or cracked insulation.
11. The Computer system cabinet is equipped with vents to prevent heat build-up. Never block, cover, or obstruct these vents.
12. Instructions should be given, especially to children, that objects should not be dropped or pushed into the vents of the cabinet. This could cause shock or equipment damage.
13. Never expose the Computer system to water. If exposed to water turn the unit off. Do not place the Computer system near possible water sources.
14. Never leave the Computer system unattended or plugged into the AC outlet for long periods of time. Remove AC plug from AC outlet during lightning storms.
15. Do not allow anything to rest on AC power cord.
16. Unplug AC power cord from outlet before cleaning Computer system.
17. Never use liquids or aerosols directly on the Computer system. Spray on cloth and then apply to the Computer system cabinet. Make sure the Computer system is disconnected from the AC power line.

SCHEMATIC NOTES

—*— Circuitry not used in some versions

-- Circuitry used in some versions

⊙ See parts list

⊕ Ground

⌘ Chassis

Waveforms and voltages taken from ground, unless noted otherwise

Voltages, logic readings and waveforms taken in Power Up mode, Caps Lock and 80/40 Column keys down, Keyboard Switch up, no diskette in the Disk Drive "Apple IIc" and "Check Disk Drive" displayed on the Monitor screen.

(1) Probe indicates H if diskette is write protected or Head Position is operating.

(2) Probe indicates P when Head Position motor is operating.

(3) Readings taken after pressing Space Bar on keyboard.

(4) Probe indicates H when any key pressed except Control, Shift, Open Apple, Closed Apple and Reset keys.

(5) Probe indicates H when Caps Lock key is up.

(6) Probe indicates P when any key pressed except Control, Shift, Open Apple, Closed Apple and Reset keys.

(7) Probe indicates P when Computer is in "Basic" mode.

(8) Probe indicates L when the Control key is pressed.

Waveforms taken with triggered scope and Sweep/Time switch in Calibrate position, scope input set for DC coupling on 0 reference voltage waveforms. Switch to AC input to view waveforms after DC reference is measured when necessary. Each waveform is 7 cm. width with DC reference voltage given at the bottom line of each waveform.

Time in $\mu\text{sec.}$ per cm, given with p-p reading at the end of each waveform.

Item numbers in rectangles appear in the alignment/adjustment instructions.

Supply voltages maintained as shown at input.

Controls adjusted for normal operation.

Terminal identification may not be found on unit.

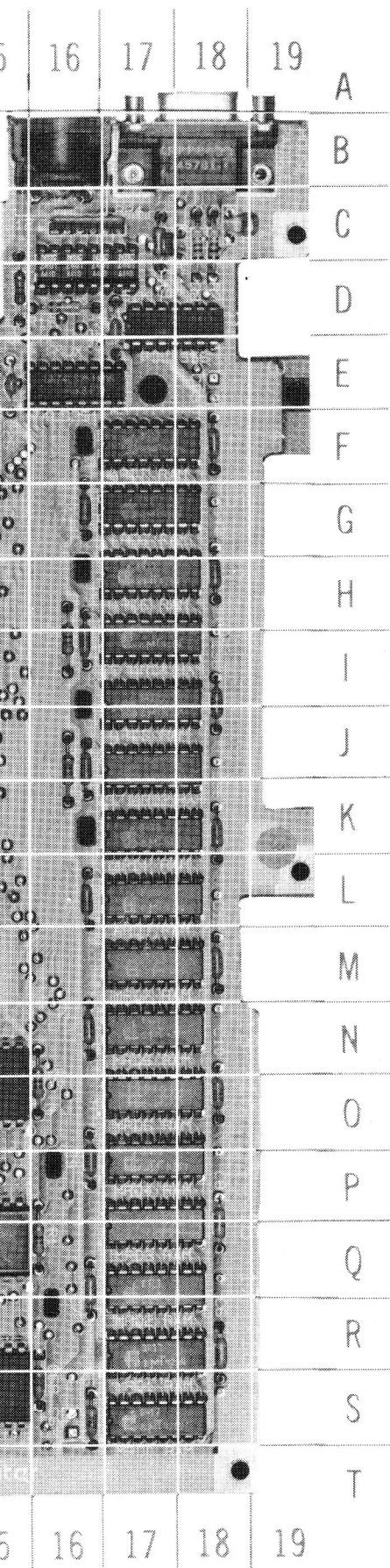
Capacitors are 50 volts or less, 5% unless noted.

Electrolytic capacitors are 50 volts or less, 20% unless noted.

Resistors are $\frac{1}{2}W$ or less, 5% unless noted.

Value in () used in some versions.

SYSTEM BOARD GridTrace LOCATION GUIDE



C1	S-12	L1	C-3	UF16	Q-17
C2	S-8	L2	C-13	UF17	Q-17
C3	Q-12	L3	C-12	UF18	R-17
C4	Q-12	L4	R-3	UF19	S-17
C5	S-16	L5	R-3		
C6	R-18	L6	R-3		
C7	Q-16	OS1	E-14		
C8	Q-18	Q1	I-8		
C9	P-16	R1	Q-16		
C10	Q-18	R2	Q-16		
C11	N-16	R3	Q-1		
C12	M-18	R4	D-6		
C13	G-10	R5	D-15		
C14	J-6	R6	S-4		
C15	I-11	R7	C-18		
C16	S-7	R8	C-18		
C17	L-7	R9	J-16		
C18	K-9	R10	I-16		
C19	H-6	R11	S-5		
C20	F-6	R12	S-7		
C21	R-6	R13	S-6		
C22	P-10	R14	S-6		
C23	Q-2	R15	S-7		
C25	E-15	R16	J-12		
C27	L-13	R18	D-16		
C28	I-14	R19	I-7		
C29	J-14	R20	I-7		
C30	G-13	R21	S-5		
C31	I-14	R22	S-5		
C33	J-9	RP1	N-8		
C34	D-13	RP2	G-14		
C35	L-16	RP3	F-7		
C36	K-18	RP4	C-16		
C37	J-16	S1	B-1		
C38	I-18	UA14	O-3		
C39	I-16	UB13	N-6		
C40	H-18	UB16	Q-6		
C41	G-16	UB18	S-6		
C42	F-18	UC4	F-7		
C43	P-3	UC6	H-7		
C44	P-3	UC10	J-7		
C45	Q-4	UC11	L-7		
C46	S-4	UC18	S-8		
C47	C-17	UD2	D-10		
C48	C-18	UD4	F-10		
C49	C-17	UD6	H-10		
C51	T-7	UD9	J-10		
C53	D-6	UD11	L-10		
C54	D-6	UD16	Q-10		
C55	E-15	UD18	S-10		
C56	E-15	UE1	C-12		
C57	C-4	UE4	F-14		
C59	C-2	UE6	H-14		
C60	N-7	UE8	I-14		
C65	C-10	UE9	K-14		
C67	F-9	UE11	L-14		
C68	I-9	UE14	O-14		
C69	S-16	UE16	Q-14		
CR1	E-3	UE18	S-14		
CR2	Q-11	UF1	D-16		
CR3	O-10	UF2	D-17		
F1	D-2	UF3	E-16		
J1	B-2	UF4	F-17		
J2	B-8	UF5	G-17		
J3	B-18	UF6	H-17		
J4	B-10	UF7	I-17		
J5	B-12	UF8	I-17		
J6	B-4	UF9	J-17		
J7	S-1	UF10	K-17		
J8	C-8	UF11	L-17		
J9	Q-8	UF12	M-17		
J10	T-8	UF13	N-17		
J11	M-3	UF14	O-17		
J12	B-16	UF15	P-17		

CSCS7
APPLE
MODEL IIc

TEST EQUIPMENT

Test Equipment listed by Manufacturer illustrates typical or equivalent equipment used by SAMS' Engineers to obtain measurements and is compatible with most types used by field service technicians.

Equipment Name	B & K Precision Equipment No.	Simpson Equipment No.	
OSCILLOSCOPE	1570A,1590A,1596	454	
LOGIC PROBE	DP51		
LOGIC PULSER	DP101		
DIGITAL VOM	2830	463,467,470,474	
ANALOG VOM	277	260-7	
ISOLATION TRANSFORMER	TR110,1604,1653,1655		
FREQUENCY COUNTER	1803,1805	710	
COLOR BAR GENERATOR	1211A,1248,1251,1260	431	
RGB GENERATOR	1260		
FUNCTION GENERATOR	3020	420A,420D	
HI-VOLTAGE PROBE	HV-44	248	
TEMPERATURE PROBE	TP-28	IR-10	
CRT ANALYZER	467,470		

TROUBLESHOOTING

COMPUTER DEAD

No display on the Monitor screen when the Computer is turned On. Verify the green Power LED (CR2) is On. If the LED is not On, refer to the "Power Supply" section of this Troubleshooting guide. If the LED is On, turn the speaker volume control (on left side of the Computer) up and listen for a beep when the Computer is turned On or when the Control and Reset keys are pressed at the same time. If a beep is heard check the cable going to the Monitor and check the Monitor. If the cable and Monitor check good, refer to the "Video" section of this Troubleshooting guide. If no beep is heard refer to the "Microprocessor (CPU) Operation" section of this Troubleshooting guide.

POWER SUPPLY

Computer dead, Power LED not On. Unplug the Power Pack Plug (P1) from the Computer and check for 18.2V from pin 2 to pin 6 of Plug P1. If 18.2V is missing repair or replace the Power Pack. If 18.2V is present plug the Power Pack back into the Computer (with Computer Off) and check for 17.5V at pin 2 of Switching Transformer (T1). If 17.5V is missing check Fuse F1 and Coil L1 on the System board, and Coil L1 on the Switching Power Supply board. Check Connectors J1 and P11 for good connections. If Fuse F1 is bad, unplug the Power Pack and check for a possible short to ground at pin 2 of Transformer T1. If pin 2 of Transformer T1 checks shorted to ground check Diode CR1 and Capacitors C57 and C59 on the System board and check Capacitors C1 and C3 and Driver Transistor Q3 on the Switching Power Supply board.

If 17.5V is present at pin 2 of Transformer T1, turn the Computer On and verify the power supply is oscillating by checking the waveform at the Base of Transistor Q3. If the power supply is not oscillating, check the On-Off Switch (S1) and check pin 12 of Connector P11 for good connection. Also check the voltages and components associated with the Oscillator Transistors (Q1 and Q2), Driver Tran-

sistor (Q3) and Regulator Transistors (Q4 and Q5) and check for possible shorts to ground at pins 1, 3, 5, 6 and 8 of Transformer T1.

If the power supply is oscillating, but the output source voltages are not correct (12V at pin 36, 4.9V at pin 28 and -11.3V at pin 6 of Connector P11) check the voltages and components associated with the Regulator IC (IC1) and Transistors Q4 and Q5.

MICROPROCESSOR (CPU) OPERATION

Computer is not working and power supply is normal, check the logic reading on pin 40 of the Microprocessor IC (UE18) while turning the Computer On. The logic reading should be Low then change to High. The logic reading is Low as long as the Control and Reset keys are held down. If the logic reading is not correct when turning the Computer On check the Input/Output Unit IC (UE14). If the logic reading does not read Low when the Control and Reset keys are held down check pins 29 and 21 of Connector J9 for good connections and check the Control and Reset keys for continuity when pressed.

If the reset circuit is working, check the 14.318MHz clock waveform at pin 1 of the GLU IC (UD6) if the waveform is missing check the 1K resistor from pin 1 to 2 of Resistor pack RP3 and check the Oscillator Module (OS1). If the 14.318MHz waveform is present check the 7.159MHz waveform at pin 2 of the TMG IC (UD4), 3.5795MHz waveform at pin 3 of IC UD4 and 1.02MHz waveform at pins 14 and 15 of IC UD4. If any of the waveforms are missing check IC UD4. Check for a High logic reading at pins 2, 4 and 6 of Microprocessor IC (UE18). If any of the readings are not correct check the components and IC's connected to the pin with the incorrect reading and check IC UE18.

If IC UE18 checks good check the MON IC (UD18), Memory Management Unit IC (UE16), Input/Output Unit IC (UE14) and RAM IC's (UF12 thru UF19).

TROUBLESHOOTING (Continued)

KEYBOARD

Keyboard is dead or has no response when a key is pressed. Check Connector J9 and the keyboard cable for good connections. Check for -11.3V at pin 27 of the ENC (keyboard encoder) IC (UB16). If -11.3V is missing refer to the "Power Supply" section of this Troubleshooting guide. If -11.3V is present, check the waveform at pin 1 of IC UB16. If the waveform is missing, check Capacitor C46, Resistor R6 and IC UB16. If the waveform is present at pin 1 of IC UB16, check the waveforms on pins 17 thru 26 and 33 thru 40 of IC UB16. The waveforms on pins 17 thru 26 should look similar to the waveform shown on pin 18 with no key pressed and should look similar to the waveform shown on pin 17 when any key connected to the pin being checked is pressed. The waveforms on pins 33 thru 40 should look similar to the waveform shown on pin 40 of IC UB16. If any waveform is missing check IC UB16. If the waveforms on pins 17 thru 26 do not change when a key connected to the pin being checked is pressed check the key for continuity when pressed.

Check for the waveform shown in Figure 6 at pins 17 thru 26 of IC UB16 when any key is pressed repeatedly except the Control Shift, Open Apple, Closed Apple and Reset keys. If the waveform is missing check Capacitor C45 and IC UB16.

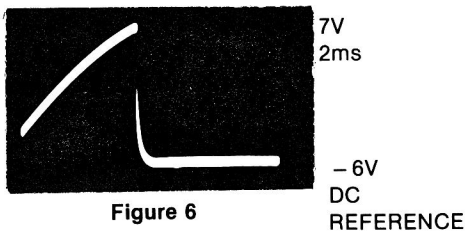


Figure 6

Check the logic readings on pins 5 and 16 of IC UB16. Pin 5 logic reading should be High and pin 16 should read a Pulse when any key is pressed except the Control, Shift, Open Apple, Closed Apple and Reset keys. If either reading is not correct, check IC UB16.

Check the logic readings on pins 6 thru 14 of IC UB16 after pressing the Space Bar. (See logic readings on schematic). If any of the readings are not correct, check IC UB16.

Press the Control and Reset keys to put the Computer in "Basic" mode and check for Pulses at pin 20 of the MAP (Keyboard Character ROM) IC (UD16). If pulses are missing check Memory Management Unit IC (UE16). If pulses are present at pin 20 of IC UD16 and all the previous checks are good, check IC UD16, UE14 and UD9.

If only one key does not work, check the solder connection on the defective key and check the key for continuity when the key is pressed.

If a wrong character appears on the Monitor screen when a key is pressed, check IC's UD16 and UE16.

If a character does not repeat when a key is held down check IC UE14.

If a character appears more than once on the Monitor screen when a key is pressed momentarily, check Capacitor C45 and IC UB16.

If any group of keys do not work, check the Keyboard cable and Connector J9 for good connections and check IC UB16.

DISK DRIVE INTERFACE

Disk Drive Interface circuit does not work. Turn the Computer Off and disconnect the Disk Drives from the Computer. Turn the Computer On, in Basic mode (See General Operating Instructions). Type in and run the following Basic program and make all tests while the program is running. Press the Control and Reset keys to stop the program.

```
10 X = PEEK (- 16151)
20 X = PEEK (- 16150)
30 X = PEEK (- 16148)
40 X = PEEK (- 16146)
50 X = PEEK (- 16145)
60 X = PEEK (- 16147)
70 FOR Y = - 16153 TO - 16160 STEP -1
80 X = PEEK (Y)
90 NEXT Y
100 GOTO 20
```

Check for pulses at pin 7 of the Disk Controller IC (UD2). If pulses are missing, check IC UD6. If pulses are present at pin 7 of IC UD2, check for pulses at pins 1, 2, 8, 9, 27 and 28 of IC UD2. If pulses are missing at any of the pins check IC UD2.

To check the read data circuit, insert a diskette containing data in the Disk Drive. Type in and run the following Basic program.

```
10 X = PEEK (- 16151)
20 X = PEEK (- 16150)
30 X = PEEK (- 16148)
40 X = PEEK (- 16146)
```

Check for data pulses at pin 22 of Disk Controller IC (UD2). If data pulses are present at pin 22 of IC UD2 and the system is not reading data from the disk, check IC UD2. If data pulses are missing at pin 22 of IC UD2, check Connector J8 and the Disk Drive interface cable.

If the Monitor displays an I/O ERROR when attempting to write data on a diskette that is not write protected, check for a logic Low at pin 21 of IC UD2 while running the following program.

```
10 X = PEEK (- 16151): X = PEEK (- 16150)
```

If pin 21 of IC UD2 is Low, check IC UD2. If pin 21 of IC UD2 is High, check the Disk Drive write-protect circuit.

VIDEO DISPLAY

No video on the Monitor screen, check the Video Output Jack (J4) and the cable connecting the Computer to the Monitor for good connections. If the cable and connectors check good, check the waveforms at pins 1 thru 4 of the VID IC (UE1). If the waveforms check good check IC UE1, Capacitor C65 and Coils L2 and L3. If the waveform is missing at pin 1 of IC UE1, check the waveforms on pins 2 thru 7, 10, 11, 12, 14 and 15 of the SPI IC (UE6). If the waveforms are correct at IC UE6, check IC UE6. If the waveform is missing at pins 6 or 15 of IC UE6, check the TMG IC (UD4). If the waveforms are missing at pins 2 thru 5, 10 thru 12 and 14 of IC UE6, check the Char Gen IC (UE4), Input/Output Unit IC (UE14), Video Latch IC (UE9), 80 DIR IC (UE11) and 80 Latch IC (UE8).

Low or high resolution graphics functions do not work check the Input/Output Unit IC (UE14). If the double high resolution graphics do not work, check the GLU IC (UD6).

CSCS7
APPLE
MODEL IIC

TROUBLESHOOTING (Continued)

VIDEO SYNC

No horizontal or vertical sync. Check the sync waveforms at pin 2 of the VID IC (UE1). If the waveforms are present, check IC UE1. If the waveforms are missing, check the Input/Output Unit IC (UE14).

COLOR

No color. Check the waveform at pin 3 of the TMG IC (UD4). If the waveform is missing check IC UD4. If the waveform is good at pin 3 of IC UD4, type GR (computer in Basic mode) and press the Return key. Check the waveform at pin 37 of the Input/Output Unit IC (UE14). If the waveform is missing, check IC UE14. If the waveform is good at pin 37 of IC UE14 check the VID IC (UE1).

Hue is not correct. Check the adjustment of the Hue Adjust Coil (L2) (see Miscellaneous Adjustments) and check the frequency of the 14.31813MHz Oscillator Module at pin 1 of the GLU IC (UD6).

INTERNAL SPEAKER

No sound. Check the Speaker (SP1) and check connector J10 and Earphone jack (J7) for good connections. If the Speaker and connections check good, type in and run the following Basic program.

```
10 PRINT CHR$(7): GOTO 10
```

While the program is running, check for pulses at pin 8 of the Input/Output Unit IC (UE14). If pulses are missing, check IC UE14. If pulses are present at pin 8 of IC UE14, check the Volume Control (R3), Electrolytics C43 and C44, Coils L4 and L6 and the Audio IC (UA14).

SERIAL PORT 1 (PRINTER PORT)

Serial Port 1 not working. Check the 1.789MHz baud clock waveform at pin 12 of the Divider IC (UC7). If the waveform is missing check IC UC7. If the waveform is present at pin 12 of IC UC7, type in and run the following Basic program.

```
10 POKE - 16229,22
20 POKE - 16230,0
30 POKE - 16230,255
40 PRINT "DATA = "; PEEK (- 16232)
50 PRINT "STATUS = "; PEEK (- 16231)
60 FOR T = 1 TO 300: NEXT T
70 PRINT: GOTO 10
```

Serial Port 1 does not transmit data. While the program is running, check for pulses at pin 3 of the Serial 1 IC (UD11). If pulses are missing at pin 3 of IC UD11, check IC UD6. If pulses are present at pin 3 of IC UD11, check for pulses at pins 8, 10 and 11 of IC UD11. If pulses are missing at pin 8, 10 or 11 of IC UD11, check IC UD11. If pulses are present at pins 8, 10 and 11 of IC UD11, check for pulses at pins 3 and 6 of the Serial Output Buffer IC (UC11). Note: These pulses should have a voltage swing of - 10V to + 10V (20V peak to peak). If pulses are missing at pin 3 of IC UC11, check Capacitor C54 and IC UC11. If pulses are missing at pin 6 of IC UC11, check Capacitor C53 and IC UC11.

Serial Port 1 does not receive data. The Status number that appears on the Monitor screen should be 80. If the Status number is not 80, press the Control and Reset keys to stop

the program and reset IC UD11. Run the program again and note the Status number. If the number is not 80 and pins 12 and 17 of IC UD11 read a logic High and pin 16 of IC UD11 reads logic Low, check IC UD11. If the Status number reads 80, connect a jumper from pin 4 of the Serial Input Buffer IC (UC4) to ground. The Status number should change from 80 to 112. If the Status number is not correct check for a logic High at pin 6 of IC UC4. If the logic reading is not correct, check IC UC4. If the logic reading is correct check IC UD11. If the Status number reads 112 with pin 4 of IC UC4 grounded, remove the jumper from pin 4 of IC UC4 and connect the jumper from pin 17 of IC UD11 to ground. The Status number on the Monitor screen should read 16. If the Status number is not correct check IC UD11. If the Status numbers are correct for pin 4 of IC UC4 and pin 17 of IC UD11, remove the jumper from pin 17 of IC UD11 and inject a 300Hz square wave from a TTL output of a function generator at pin 1 of IC UC4. Vary the frequency of the function generator back and forth between 100Hz and 300Hz. The Data number and Status number on the Monitor screen should change to random values. If neither number changes, check for pulses at pin 3 of IC UC4, while injecting the 300Hz signal at pin 1 of IC UC4. If pulses are missing at pin 3 of IC UC4 check IC UC4. If pulses are present at pin 3 of IC UC4 check IC UD11.

SERIAL PORT 2 (MODEM)

Serial Port 2 not working. Check the 1.789MHz baud clock waveform at pin 12 of the Divider IC (UC7). If the waveform is missing check IC UC7. If the waveform is present at pin 12 of IC UC7, type in and run the following Basic program.

```
10 POKE - 16213,22
20 POKE - 16214,0
30 POKE - 16214,255
40 PRINT "DATA = "; PEEK (- 16216)
50 PRINT "STATUS = "; PEEK (- 16215)
60 FOR T = 1 TO 300: NEXT T
70 PRINT: GOTO 10
```

Serial Port 2 does not transmit data. While the program is running, check for pulses at pin 3 of the Serial 2 IC (UD9). If pulses are missing at pin 3 of IC UD9, check IC UD6. If pulses are present at pin 3 of IC UD9, check for pulses at pins 8, 10 and 11 of IC UD9. If pulses are missing at pin 8, 10 or 11 of IC UD9, check IC UD9. If pulses are present at pins 8, 10 and 11 of IC UD9, check for pulses at pins 8 and 11 of the Serial Output Buffer IC (UC11). Note: These pulses should have a voltage swing of - 10V to + 10V (20V peak to peak). If pulses are missing at pin 8 of IC UC11, check Capacitor C56 and IC UC11. If pulses are absent at pin 11 of IC UC11, check Capacitor C55 and IC UC11.

Serial Port 2 does not receive data. The Status number that appears on the Monitor screen should be 16. If the status number is not 16, press the Control and Reset keys to stop the program and reset IC UD9. Run the program again and note the Status number. If the number is not 16 and pins 16 and 17 of IC UD9 read a logic Low and pin 12 of IC UD9 reads logic High, check IC UD9. If the Status number reads 16, connect a jumper from pin 13 of the Serial Input Buffer IC (UC4) to ground. The Status number should change from 16 to 48. If the Status number is not correct check for a logic High at pin 11 of IC UC4. If the logic reading is not correct, check IC UC4. If the logic reading is correct check IC UD9. If the Status number is correct for pin 13 of IC UC4, remove the jumper from pin 13 of IC UC4 and inject a 300Hz square wave from a TTL output of a function generator at pin 10 of

TROUBLESHOOTING (Continued)

IC UC4. Vary the frequency of the function generator back and forth between 100Hz and 300Hz. The Data number and Status number on the Monitor screen should change to random values. If neither number changes, check for pulses at pin 8 of IC UC4, while injecting the 300Hz signal at pin 10 of IC UC4. If pulses are missing at pin 8 of IC UC4, check IC UC4. If pulses are present at pin 8 of IC UC4 check IC UD9.

GAME PADDLES DO NOT FUNCTION

Type in and run the following Basic program to check the operation of the game paddle circuits.

```
10 HOME
20 PRINT "PADDLE 0", PDL (0)
30 PRINT "PADDLE 1", PDL (1)
40 FOR T = 1 TO 300: NEXT T
50 GOTO 10
```

The program scans the two paddles and displays the paddle numbers (0 and 1) on the Monitor screen along with a number that is read from each paddle. The number read from each paddle should vary between 0 and 255 as that paddle is varied from MINIMUM to maximum. If paddles are not available, a 100K potentiometer can be used by connecting one end of the potentiometer to 5.0V (pin 2 of connector J3) and the center tap to one of the paddle inputs (pin 5 or 8 of connector J3).

If the paddle inputs are not functioning, check connector J3 for good connections. Check for pulses at pin 6 of the Paddle IC (UF2) and pin 7 of the Multiplexer IC (UF3) while the above program is running. If pulses are missing at either pin 6 of IC UF2 or pin 7 of IC UF3, check the Memory Management Unit IC (UE16). If pulses are present at pin 6 of IC UF2 and pin 7 of IC UF3 and Paddle 0 is not working, check for pulses at pin 5 of IC UF2 while the program is running. If pulses are missing at pin 5 of IC UF2, check Capacitor C47, Resistor R7 and IC UF2. If pulses are present at pin 5 of IC UF2, check IC UF3. If Paddle 1 is not working, check for pulses at pin 9 of IC UF2 while the program is running. If pulses are missing at pin 9 of IC UF2, check Capacitor C48, R8, and IC UF2. If pulses are present at pin 9 of IC UF2, check IC UF3.

JOYSTICKS DO NOT FUNCTION

Type in and run the following Basic program to check the operation of the joystick circuits.

```
10 HOME
20 PRINT "X POSITION", PDL (0)
30 PRINT "Y POSITION", PDL (1)
40 PRINT "SWITCH 0 = ", PEEK (- 16287)
50 PRINT "SWITCH 1 = ", PEEK (- 16286)
60 FOR T = 1 TO 300: NEXT T
70 GOTO 10
```

This program scans the joystick circuit and displays "X POSITION" and "Y POSITION", each followed by a number from 0 to 255. Also displayed on the Monitor is "SWITCH 0" and "SWITCH 1", each followed by a number. When the joystick is moved to the extreme right, the "X POSITION" will read 255 and it will read 0 when the joystick is moved to the extreme left. When the Joystick is moved to the extreme lower position, the "Y POSITION" will read 255 and it will read 0 when the joystick is at the top. The number displayed after "SWITCH 0" and "SWITCH 1" will be 127 or

less until the pushbutton is pressed. When the left pushbutton is pressed "SWITCH 0" will read 128 or more and "SWITCH 1" will read 128 or more when the top pushbutton is pressed.

If the joystick inputs are not functioning, check Connector J3 for good connections. Check for pulses at pin 6 of the Paddle IC (UF2) and at pin 7 of the Multiplexer IC (UF3) while the above program is running. If pulses are missing at either pin 6 of IC UF2 or pin 7 of IC UF3, check the Memory Management Unit IC (UE16). If the pulses are present at pin 6 of IC UF2 and pin 7 of IC UF3 and the X POSITION does not function, check for pulses at pin 5 of IC UF2 while the program is running. If the pulses are missing at pin 5 of IC UF2, check Capacitor C47, Resistor R7 and IC UF2. If the pulses are present at pin 5 of IC UF2, check IC UF3. If the Y POSITION does not function, check for pulses at pin 9 of IC UF2 while the program is running. If the pulses are missing at pin 9 of IC UF2, check Capacitor C48, Resistor R8 and IC UF2. If the pulses are present at pin 9 of IC UF2, check IC UF3. Also check the Input/Output Unit IC (UE14).

If the joystick pushbuttons do not function, check Connector J3 for good connections. Also check the joystick cable. Press the left pushbutton (Switch 0) and check for a logic High at pin 2 of IC UF1. If pin 2 of UF1 is logic High when the pushbutton is pressed, check for a logic High at pin 13 of UF1 when the pushbutton is pressed. If pin 13 of UF1 is not logic High, check IC UF1. If pin 13 of UF1 is logic High, check the Multiplexer IC (UF3).

Press the top pushbutton (Switch 1) and check for a logic High at pin 6 of IC UF1. If pin 6 of IC UF1 is logic High when the pushbutton is pressed, check for a logic High at pin 9 of IC UF1. If pin 9 of UF1 is not logic High, check IC UF1. If pin 9 of UF1 is logic High, check the Multiplexer IC (UF3).

MOUSE

The following program can be used to check the operation of the Mouse. Note: This program will not work with PRODOS. It will work with DOS 3.3 or without any DOS loaded into the Computer (press the Control and Reset keys to put the Computer in Basic mode).

```
10 PR# 4: PRINT CHR$(1)
20 IN#4
30 INPUT " "; X, Y, B
40 IN# 0: PR#0
50 HOME
60 PRINT "X", "Y", "BUTTON"
70 PRINT X, Y, B
80 FOR T = 1 to 300: NEXT T
90 GOTO 30
```

The program will display the X and Y coordinates (0 to 1023) along with the button Status (4 = button released, 3 = button just released, 2 = button just pressed, and 1 = button held down) on the Monitor screen. The button Status number will be negative if a key on the keyboard is pressed.

If the Mouse is not working, check Connector J3 for good connections. If Connector J3 checks good, check for pulses at pins 4, 5, 8 and 9 of Connector J3 while moving the Mouse in a circle on a flat surface. Note: The above program does not have to be running. If pulses are missing at Connector J3, check the Mouse. If pulses are present at Connector J3, check for pulses at pin 7 of the Multiplexer IC

TROUBLESHOOTING (Continued)

(UF3) while the above program is running. If pulses are missing at pin 7 of IC UF3, check the Memory Management Unit IC (UE16). If pulses are present at pin 7 of IC UF3, check IC UF3 and the Input/Output Unit IC (UE14).

Mouse button does not work. Check for a logic Low at pin 7 of Connector J3 while pressing the Mouse button. If the reading is not correct check Connector J3 for good connections and check the switch inside the Mouse and the Mouse cable. If the logic reading is Low at pin 7 of Connector J3, check for a logic Low at pin 16 of the SJK IC (UF1) while pressing the Mouse button. If the reading is not correct at pin 16 of IC UF1 check IC UF1. If the reading is Low at pin 16 of IC UF1, check IC UF3.

LOW POWER INDICATOR

The green Power LED (CR2) will start flashing when the voltage at pin 5 of the Power Connector (J1) drops below 10.0V. To check the low power indicator circuits, connect a variable DC power supply (rated at 2 amps output) to Connector J1 (positive to pin 5 and negative to pin 2 of Connector J1). With the power supply output set to 12V, turn the Computer On. Reduce the power supply output to 9.5V. If the Power LED (CR2) is not flashing, check for 4.9V at pin 7 of the Low Power Detector IC (UB18) with the Power Supply set to 9.5V. If the reading is not correct check Resistors R11, R21, R13 and R22 and IC UB18. If the reading is correct at pin 7 of IC UB18, check Electrolytic C51, Resistors R12, R14 and R15 and Low Power Flasher IC (UC18).

MISCELLANEOUS ADJUSTMENTS

HUE ADJUST

Type in and run the following Basic program.

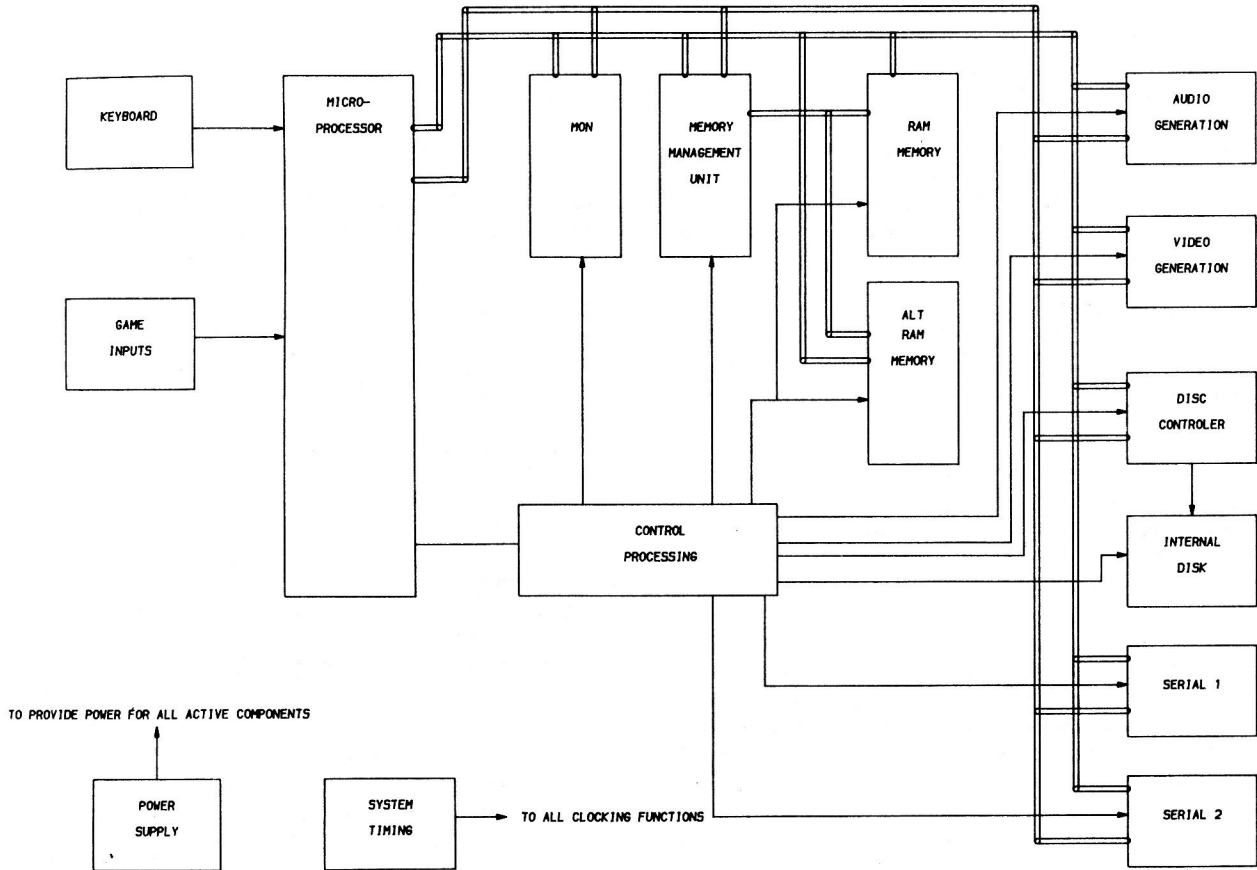
```

10 GR
20 FOR X= 20 TO 22
30 READ Y: COLOR=Y
40 HLIN 0,39 AT X: NEXT X
50 DATA 2,9,12
    
```

The program produces blue, orange and green lines on a color Monitor screen. Adjust Hue Adjust Coil (L2) for proper blue, orange and green hues.

ALIGNMENT TOOLS

GC ELECTRONICS
L2 9300, 9302, 9304



BLOCK DIAGRAM

PARTS LIST AND DESCRIPTION

When ordering parts, state Model, Part Number, and Description

SEMICONDUCTORS (Select replacement for best results)

ITEM No.	TYPE No.	MFR. PART No.	REPLACEMENT DATA							
			GENERAL ELECTRIC PART No.	NTE PART No.	ECG PART No.	RCA PART No.	WORKMAN PART No.	ZENITH PART No.		
	SYSTEM BOARD									
CR1	1N5400		GE-512	NTE156	ECG156	SK3051/156	WEP4008/5809	212-Z9000		
CR2,3	1N5712			NTE584	ECG584					
Q1	2N2369		GE-20	NTE123A	ECG123A	-SK3444/123A	WEP736/123A	121-Z9000A		
UA14	343-1002									
UB13	7905UC		GE-961	NTE961	ECG961	SK3671/961		HE-442-630		
UB16	AY-5-3600-PRO									
UB18	LM311NDS			NTE922M	ECG922M	SK3668/922M		HE-442-75		
UC4	UA1489PCQR			NTE75189	ECG75189	SK5189/75189		HE-443-795		
	MC1489			NTE75189	ECG75189	SK5189/75189		HE-443-795		
UC7	DM74LS161AN		74LS161A	NTE74LS161A	ECG74LS161A	SK74LS161		HE-443-757		
UC9	74LS32N		74LS32	NTE74LS32	ECG74LS32	SK74LS32		HE-443-875		
UC11	MC1488PD			NTE75188	ECG75188	SK5188/75188		HE-443-794		
UC18	NE555P		GEIC-269	NTE955M	ECG955M	SK3564/955M	WEP2119/955M	221-Z9042		
UD2	344-0041-A									
UD4	HAL16R8CN									
UD6	HAL20X4CNS									
UD9,11	338-6551-A									
UD16	342-0132-B									
	2716									
UD18	342-0272-A									
	27128A									
UE1	343-1001									
UE4	342-0265-A									
	2732									
	2764									
UE6	SN74LS166AN		74LS166	NTE74LS166	ECG74LS166			HE-443-892		
UE8,9	74LS374N		74LS374	NTE74LS374	ECG74LS374			HE-443-863		
UE11	74LS245N		74LS245	NTE74LS245	ECG74LS245	SK74LS245		HE-443-885		
UE14	344-0021									

CSCS7
APPLE
MODEL IIC

4 PARTS LIST AND DESCRIPTION (Continued)

When ordering parts, state Model, Part Number, and Description

SEMICONDUCTORS (Select replacement for best results)

ITEM No.	TYPE No.	MFGR. PART No.	REPLACEMENT DATA						ZENITH PART No.
			GENERAL ELECTRIC PART No.	NTE PART No.	EGG PART No.	RCA PART No.	WORKMAN PART No.		
UE16 UE18 UF1 UF2 UF3 UF4 thru UF19	344-0011 65002A 2401 NE556N SN74LS251NDS MT4264 6664			NTE978 NTE74LS251	EGG978 EGG74LS251 EGG6664	SK3689/978		221-Z9152	
SWITCHING POWER SUPPLY BOARD									
D1 D2 D3 D4,5 D6	1N4606R G18341 1N4606R G18341 1N4606R	GE-300 GE-300 GE-300		NTE177 NTE177 NTE177	EGG177 EGG177 EGG177	SK9091/177 SK9091/177 SK9091/177	WEP1062/177 WEP1062/177 WEP1062/177	103-131 103-131 103-131	
D7 D8 D9	S5S4M G13403 G18403								
D10,11 IC1	1N4606R TL431CLP	GE-300		NTE177	EGG177	SK9091/177	WEP1062/177	103-131	
Q1 Q2 Q3 Q4 Q5 Z1	2SA673A X44C758 BUV26 2SA673A 2SB561C 5B7	GE-269 GE-269 GE-272		NTE290A NTE290A NTE298	EGG290A EGG290A EGG298	SK9132 SK9132 SK3450/298	WEP911/290A WEP911/290A WEP915/298	121-Z9003* 121-Z9003* 121-Z9103	

* Lead configuration may vary from original.

WIRING DATA

Shielded Hook-up Wire	Use BELDEN No. 8401 or 8421 (Single-Conductor) 8208 (Two-Conductor) 9534 (Four-Conductor)
General-use Unshielded Hook-up Wire	Use BELDEN No. 8529 (Solid) Available in 13 Colors 8522 (Stranded) Available in 13 Colors
75-Ohm Input Lead	Use BELDEN No. 8241

PARTS LIST AND DESCRIPTION (Continued)

When ordering parts, state Model, Part Number, and Description

CAPACITORS Items Not Listed Are Normally Available At Local Distributors.

ITEM No.	RATING	MFGR. PART No.
SYSTEM BOARD		
C46	47 N470 50V 5%	

ITEM No.	RATING	MFGR. PART No.

CONTROLS (All wattages 1/2 watt, or less, unless listed)

ITEM NO.	FUNCTION	RESISTANCE	MFGR. PART NO.	NOTES
SYSTEM BOARD				
R3	Volume Control	500		

RESISTORS (Power and Special)

ITEM No.	RATING	REPLACEMENT DATA		
		MFGR. PART No.	NTE PART No.	WORKMAN PART No.
SYSTEM BOARD				
R11	11K 1% 1/4W Metal Film	(1) (2) (3) 112-0315 (4)		
R13	10K 1% 1/4W Metal Film			
R21	10K 1% 1/4W Metal Film			
R22	100K 1% 1/4W Metal Film			
RP1	Resistor Network			
RP2	Resistor Network			
RP3	Resistor Network			
RP4	Resistor Network			
SWITCHING POWER SUPPLY BOARD				
R28	2700 2% 1/4W Metal Film		QW227	22-2246
R29	2700 2% 1/4W Metal Film		QW227	22-2246

APPLE
MODEL IIC

- (1) Contains nine 1000
- (2) Contains nine 3300
- (3) Contains seven 1000
- (4) Number on unit

COILS (RF-IF)

ITEM No.	FUNCTION	MFGR. PART No.
SYSTEM BOARD		
L1	Line Choke	
L2	Hue Adjust	
L3	Peaking	
L4	RF Choke	
L5	RF Choke	
L6	RF Choke	

ITEM No.	FUNCTION	MFGR. PART No.
SWITCHING POWER SUPPLY BOARD		
L1	RF Choke	
L2	RF Choke	
L3	RF Choke	
L4	RF Choke	
L5	RF Choke	

PARTS LIST AND DESCRIPTION (Continued)

When ordering parts, state Model, Part Number, and Description

COILS & TRANSFORMERS

ITEM No.	FUNCTION	MFGR. PART No.	OTHER IDENTIFICATION	NOTES
	SWITCHING POWER SUPPLY BOARD			
T1	Switching		85210202650 (1)	
T2	Feedback			
T3	Feedback		85210202670 (1)	

(1) Number on unit.

FUSE DEVICES

ITEM NO.	DESCRIPTION	MFGR. PART NO.		NOTES
		DEVICE	HOLDER	
F1	SYSTEM BOARD 10A @ 32V Fast Acting			

SPEAKER

ITEM No.	TYPE	REPLACEMENT DATA		NOTES
		MFGR. PART No.	QUAM PART No.	
SP1	1.5" PM 8 Ohms .1W	A0102-1 (1)		

(1) Number on unit.

CABINET & CABINET PARTS (When ordering specify model, chassis & color)

MISCELLANEOUS

ITEM No.	PART NAME	MFGR. PART No.	NOTES
	SYSTEM BOARD		
OS1	Oscillator	CK0044AC	14.31818MHz
S1	Switch		Power, On-Off
Y1	Crystal		Future Optional Part
	P.C. Board		System Board
	Power Pack	A2M4017	Input (120VAC, 60Hz, 25W, .2A) Output (15VDC, 18W, 1.2A)
	KEYBOARD		
CR1	LED		Disk Use, Red.
CR2	LED		Power, Green.
SW1	Switch		Keyboard Keys
thru			
SW62			
SW63	Switch		Reset Key
SW64	Switch		80/40 Column Select Key
SW65	Switch		Keyboard Select Key

LOGIC

PIN NO.	IC UA14	PIN NO.	IC UB16	PIN NO.	IC UB16	PIN NO.	IC UB18	IC UC4	IC UC7	IC UC9	IC UC11	IC UC18	IC UD2	IC UD4	IC UD6
1	L	1	P	21	L	1	L	L	H	H	L	L	H	P	P
2	*	2	P	22	L	2	H	L	P	H	H	L	L	P	P
3	H	3	P	23	L	3	H	H	*	H	L	L	P	P	P
4	H	4	L	24	L	4	L	H	*	P	H	L	P	P	P
5	H	5	L(4)	25	L	5	H	P	*	H	H	H	P	P	L
6	H	6	L(3)	26	L	6	H	L	*	H	L	L	P	P	H
7	L	7	L(3)	27	L	7	L	L	H	L	L	L	H	H	L
		8	H(3)	28	H(8)	8	H	H	L	H	L	H	H	H	P
		9	L(3)	29	H	9		L	H	H	H		H	H	H
		10	L(3)	30	H	10		L	H	L	H		P	L	L
		11	L(3)	31	L(6)	11		L	P	H	L		P	L	H
		12	H(3)	32	P	12		P	P	*	H		P	P	L
		13	H(3)	33	P	13		H	P	*	H		P	P	L
		14	H(3)	34	P	14		H	P	H	H		L	P	P
		15	L	35	P	15			P				P	P	H
		16	L(6)	36	P	16			H				P	P	H
		17	L	37	P	17							P	P	H
		18	L	38	P	18							P	P	H
		19	L	39	P	19							H	P	H
		20	L	40	P	20							H	H	H
						21							H		H
						22							H		H
						23							H		H
						24							P		H
						25							P		
						26							H		
						27							L		
						28							L		

APPLE
MODEL IIC

Voltages, logic readings and waveforms taken in Power Up mode, Caps Lock and 80/40 Column keys down, Keyboard Switch up, no diskette in the Disk Drive "Apple IIc" and "Check Disk Drive" displayed on the Monitor screen.

Logic Probe Display

L = Low

H = High

P = Pulse

* = Open (No light On)

(1) Probe indicates H if diskette is write protected or Head Position is operating.

(2) Probe indicates P when Head Position motor is operating.

(3) Readings taken after pressing Space Bar on keyboard.

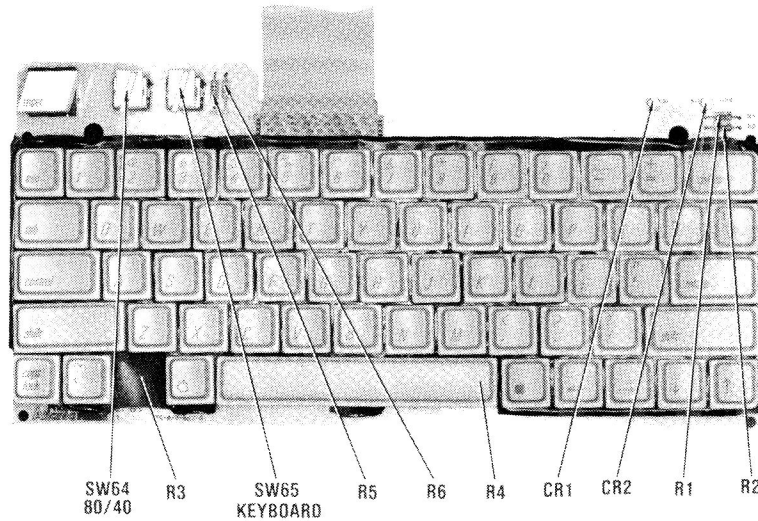
(4) Probe indicates H when any key pressed except Control, Shift, Open Apple, Closed Apple and Reset keys.

(5) Probe indicates H when Caps Lock key is up.

(6) Probe indicates P when any key pressed except Control, Shift, Open Apple, Closed Apple and Reset keys.

(7) Probe indicates P when Computer is in "Basic" mode.

(8) Probe indicates L when the Control key is pressed.



KEYBOARD

LOGIC (Continued)

PIN NO.	IC UD9	PIN NO.	IC UD9	PIN NO.	IC UD11	PIN NO.	IC UD11	PIN NO.	IC UD16	PIN NO.	IC UD16				
1	L	17	L	1	L	17	H	1	L(3)	13	P				
2	L	18	P	2	P	18	P	2	L(3)	14	P				
3	H	19	P	3	H	19	P	3	L(3)	15	P				
4	H	20	P	4	H	20	P	4	H(3)	16	P				
5	*	21	P	5	*	21	P	5	L(3)	17	*				
6	P	22	P	6	P	22	P	6	L(3)	18	L				
7	P	23	P	7	P	23	P	7	H(3)	19	L				
8	H	24	P	8	H	24	P	8	H(3)	20	H((7)				
9	L	25	P	9	L	25	P	9	P	21	H				
10	H	26	H	10	H	26	H	10	P	22	L(5)				
11	H	27	P	11	H	27	P	11	P	23	H(3)				
12	H	28	H	12	H	28	H	12	L	24	H				
13	P			13	P										
14	P			14	P										
15	H			15	H										
16	L			16	L										

PIN NO.	IC UD18	PIN NO.	IC UD18	PIN NO.	IC UE1	IC UE4	IC UE6	IC UE8	IC UE9	IC UE11	PIN NO.	IC UE14	PIN NO.	IC UE14
1	H	17	P	1	P	P	P	P	P	H	1	L	21	P
2	L	18	P	2	P	P	P	P	P	P	2	L	22	P
3	L	19	P	3	P	P	P	P	P	P	3	P	23	P
4	H	20	P	4	H	P	P	P	P	P	4	P	24	P
5	L	21	P	5	L	P	P	P	P	P	5	P	25	P
6	P	22	L	6	L	P	P	P	P	P	6	H	26	P
7	P	23	L	7	L	P	P	P	P	P	7	L	27	P
8	P	24	H	8	L	P	L	P	P	P	8	L	28	H
9	P	25	L	9	L	P	H	P	P	P	9	P	29	H
10	P	26	L	10	H	P	P	L	L	L	10	*	30	H
11	P	27	H	11		P	P	P	P	P	11	L	31	L(4)
12	P	28	H	12		L	P	P	P	P	12	*	32	L
13	P			13		P	P	P	P	P	13	*	33	P
14	L			14		P	P	P	P	P	14	H	34	P
15	P			15		P	P	P	P	P	15	H	35	P
16	P			16		P	H	P	P	P	16	H	36	P
				17		P		P	P	P	17	P	37	H
				18		P		P	P	P	18	P	38	P
				19		P		P	P	H	19	P	39	P
				20		L		H	H	H	20	P	40	P
				21		L								
				22		P								
				23		P								
				24		H								

Voltages, logic readings and waveforms taken in Power Up mode, Caps Lock and 80/40 Column keys down, Keyboard Switch up, no diskette in the Disk Drive "Apple IIc" and "Check Disk Drive" displayed on the Monitor screen.

Logic Probe Display
 L = Low
 H = High
 P = Pulse
 * = Open (No light On)

- (1) Probe indicates H if diskette is write protected or Head Position is operating.
- (2) Probe indicates P when Head Position motor is operating.
- (3) Readings taken after pressing Space Bar on keyboard.
- (4) Probe indicates H when any key pressed except Control, Shift, Open Apple, Closed Apple and Reset keys.
- (5) Probe indicates H when Caps Lock key is up.
- (6) Probe indicates P when any key pressed except Control, Shift, Open Apple, Closed Apple and Reset keys.
- (7) Probe indicates P when Computer is in "Basic" mode.
- (8) Probe indicates L when the Control key is pressed.

LOGIC (Continued)

PIN NO.	IC UE16	PIN NO.	IC UE16	PIN NO.	IC UE18	PIN NO.	IC UE18	PIN NO.	IC UF1	IC UF2	IC UF3	IC UF4	IC UF5	IC UF6
1	L	21	P	1	L	21	L	1	H	*	H	H	H	H
2	P	22	P	2	H	22	L	2	H	*	L	P	P	P
3	P	23	P	3	P	23	L	3	H	H	L	H	H	H
4	P	24	P	4	H	24	H	4	H	H	H	P	P	P
5	P	25	H	5	H	25	H	5	*	H	P	P	P	P
6	P	26	H	6	H	26	P	6	H	H	*	P	P	P
7	P	27	H	7	P	27	P	7	H	L	H	P	P	P
8	P	28	L	8	H	28	P	8	*	H	L	H	H	H
9	P	29	L	9	P	29	P	9	L	H	P	P	P	P
10	P	30	L	10	P	30	P	10	H	H	P	P	P	P
11	P	31	H	11	P	31	P	11	H	H	P	P	P	P
12	P	32	H	12	P	32	P	12	H	*	*	P	P	P
13	P	33	L	13	P	33	P	13	L	*	*	P	P	P
14	H	34	L	14	L	34	H	14	H	H	H	P	P	P
15	H	35	H	15	H	35	*	15	L		H	P	P	P
16	H	36	L	16	L	36	*	16	H		H	L	L	L
17	H	37	P	17	L	37	P							
18	H	38	P	18	H	38	H							
19	H	39	P	19	H	39	P							
20	P	40	P	20	L	40	H							

PIN NO.	IC UF7	IC UF8	IC UF9	IC UF10	IC UF11	IC UF12	IC UF13	IC UF14	IC UF15	IC UF16	IC UF17	IC UF18	IC UF19
1	H	H	H	H	H	H	H	H	H	H	H	H	H
2	P	P	P	P	P	P	P	P	P	P	P	P	P
3	H	H	H	H	H	H	H	H	H	H	H	H	H
4	P	P	P	P	P	P	P	P	P	P	P	P	P
5	P	P	P	P	P	P	P	P	P	P	P	P	P
6	P	P	P	P	P	P	P	P	P	P	P	P	P
7	P	P	P	P	P	P	P	P	P	P	P	P	P
8	H	H	H	H	H	H	H	H	H	H	H	H	H
9	P	P	P	P	P	P	P	P	P	P	P	P	P
10	P	P	P	P	P	P	P	P	P	P	P	P	P
11	P	P	P	P	P	P	P	P	P	P	P	P	P
12	P	P	P	P	P	P	P	P	P	P	P	P	P
13	P	P	P	P	P	P	P	P	P	P	P	P	P
14	P	P	P	P	P	P	P	P	P	P	P	P	P
15	P	P	P	P	P	P	P	P	P	P	P	P	P
16	L	L	L	L	L	L	L	L	L	L	L	L	L

**APPLE
MODEL IIc**

Voltages, logic readings and waveforms taken in Power Up mode, Caps Lock and 80/40 Column keys down, Keyboard Switch up, no diskette in the Disk Drive "Apple IIc" and "Check Disk Drive" displayed on the Monitor screen.

Logic Probe Display

L = Low

H = High

P = Pulse

* = Open (No light On)

(1) Probe indicates H if diskette is write protected or Head Position is operating.

(2) Probe indicates P when Head Position motor is operating.

(3) Readings taken after pressing Space Bar on keyboard.

(4) Probe indicates H when any key pressed except Control, Shift, Open Apple, Closed Apple and Reset keys.

(5) Probe indicates H when Caps Lock key is up.

(6) Probe indicates P when any key pressed except Control, Shift, Open Apple, Closed Apple and Reset keys.

(7) Probe indicates P when Computer is in "Basic" mode.

(8) Probe indicates L when the Control key is pressed.

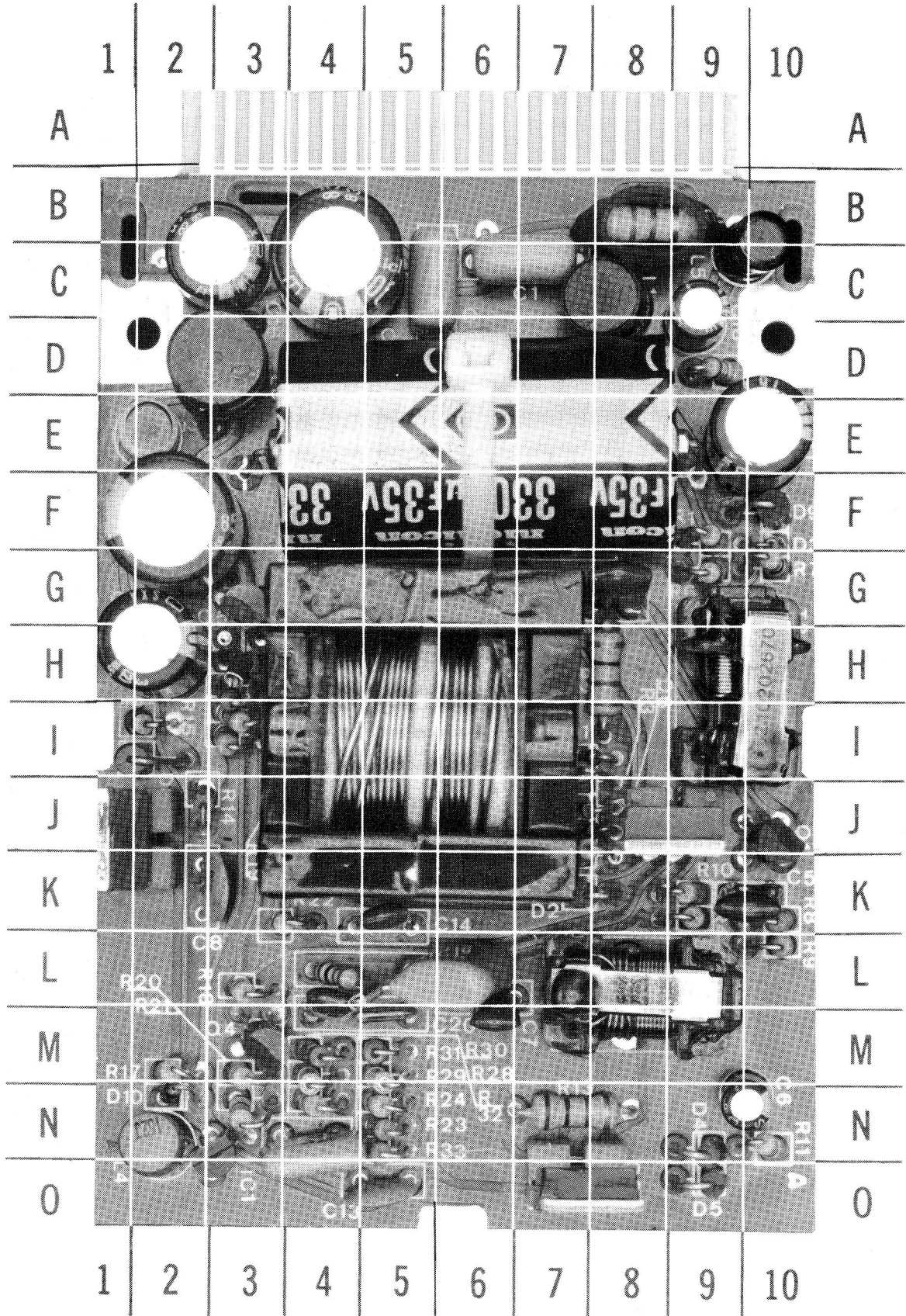
LINE DEFINITIONS

<p>A0 Thru A15 Address Lines</p> <p>AKD Any Key Down</p> <p>ALTVID Alternate Video</p> <p>AN0 Thru AN3 Annunciator 0 Thru 3</p> <p>CASEN Cassette Enable</p> <p>CAPL Closed Apple Control Line</p> <p>CAPLOCK Capital (Letter) Lock</p> <p>CLKEN Clock Enable</p> <p>CLRGATE Color Burst Gate</p> <p>CNTL Control</p> <p>COXX Hex Addresses</p> <p>CO6X, CO7X Hex Addresses</p> <p>CXXX Hex Addresses</p> <p>DMA Direct Memory Access</p> <p>D0 Thru D7 Data Lines</p> <p>DEV1 Thru DEV7 Peripheral Device Select</p> <p>ENABLE1, ENABLE2 Enable</p> <p>ENKBD Enable Keyboard</p> <p>ENTMG Enable Master Timing</p> <p>ENVID Enable Video</p> <p>EN80 Enable Auxiliary RAM</p> <p>EXTINT External Interrupt</p> <p>FRCTXT</p> <p>GR Graphics</p> <p>H0 Horizontal 0</p> <p>I/OSTROBE Input/Output Strobe</p> <p>INH Inhibits Main Memory</p> <p>IOSEL Input/Output Select</p> <p>IRQ Input Request</p> <p>IWM Integrated Woz Machine (Disk Drive I/O)</p> <p>KBD Keyboard</p> <p>KSTRB Keyboard Strobe</p> <p>LANGSW Keyboard Switch Line</p> <p>LDPS Load Parallel to Serial</p> <p>MD0 Thru MD7 Main Data Lines</p> <p>MD IN/OUT Buffered Data Input/Output</p> <p>MOTOR ON Motor On</p> <p>MR Memory Read</p> <p>NMI Non-Maskable Interrupt</p> <p>OAPL Open Apple Control Line</p> <p>PDL0 Thru PDL3 Game Paddle Lines</p>	<p>PCAS Phase 0 Column Address Strobe</p> <p>PRAS Phase 0 Row Address Strobe</p> <p>Q3 General Purpose Clock</p> <p>RA0 Thru RA7, RA9, RA10 Multiplexed Address Lines</p> <p>RDY Ready</p> <p>RESET Reset</p> <p>READ DATA Read Data</p> <p>ROMEN1, ROMEN2 ROM Enable Lines</p> <p>R/W Read/Write</p> <p>R/W80 Read/Write 80 Character</p> <p>SEGA Segment A</p> <p>SEGB Segment B</p> <p>SEROUT Serial Output</p> <p>SHFT Shift</p> <p>SPKR Speaker</p> <p>STB Strobe</p> <p>SW0/OAPL Switch 0/Open Apple</p> <p>SW1/CAPL Switch 1/Closed Apple</p> <p>SW2 Switch 2</p> <p>SYNC Sync</p> <p>VC Vertical Counter</p> <p>VID0 Thru VID7 Video Data 0 Thru 7</p> <p>VID7M Video 7 MHz</p> <p>WNDW Window</p> <p>WRITE DATA Write Data</p> <p>WRITE PROTECT Write Protect</p> <p>WRITE REQ Write Request</p> <p>X0 Thru X7 Keyboard Matrix</p> <p>Y0 Thru Y9 Keyboard Matrix</p> <p>3.58M 3.58MHz</p> <p>7M 7MHz</p> <p>14M 14MHz</p> <p>80VID 80 Character Video</p> <p>μPSYNC Microprocessor Sync</p> <p>Ø0 Phase 0</p> <p>Ø1 Phase One</p> <p>ØA Phase A</p> <p>ØB Phase B</p> <p>ØC Phase C</p> <p>ØD Phase D</p>
---	--

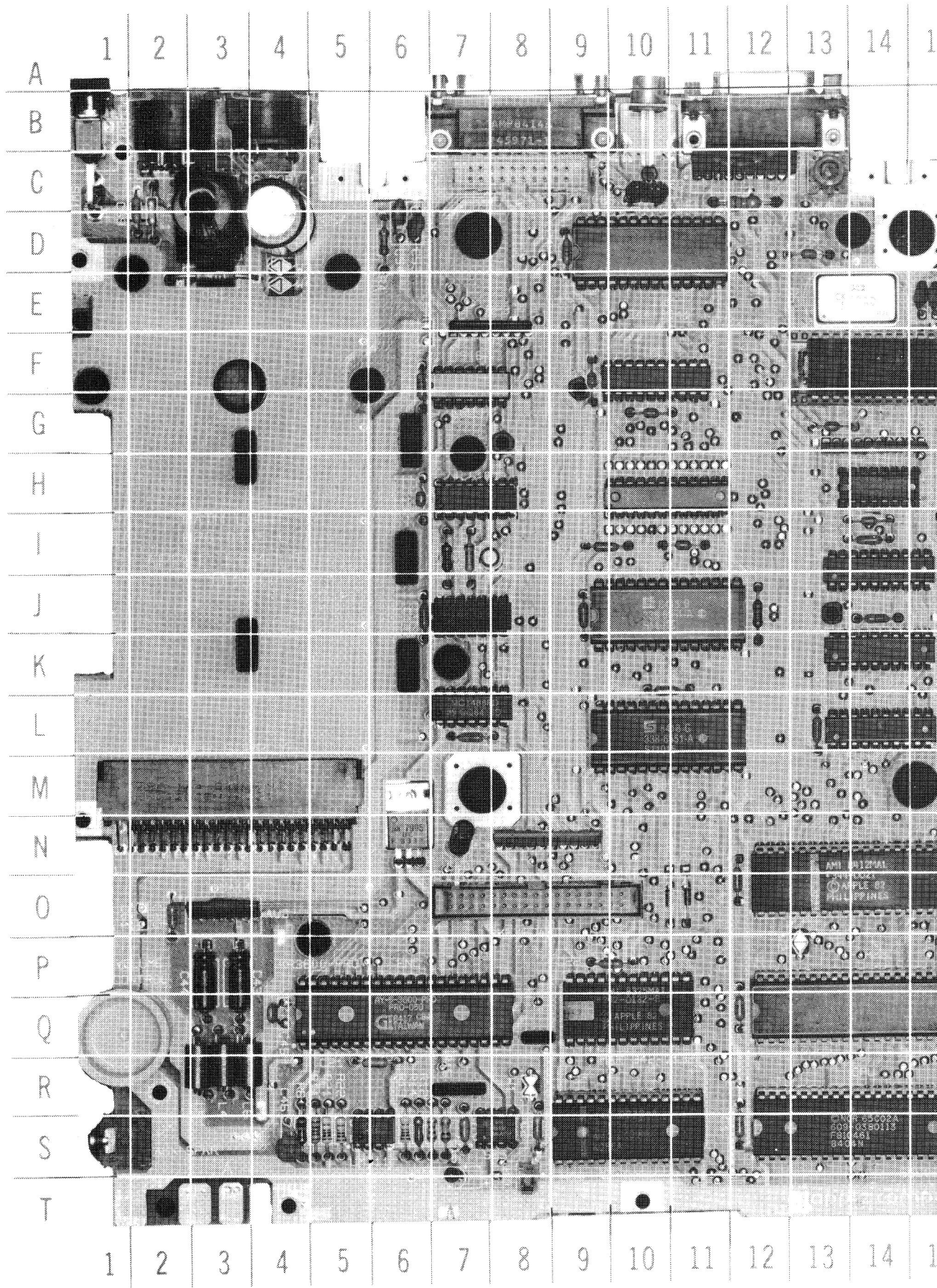
Any Bar above any alphabetical or numerical combination indicates line active in a low (0) state.

SWITCHING POWER SUPPLY BOARD GridTrace LOCATION GUIDE

C1	C-7	C18	C-9	L2	E-2	R7	G-10	R23	N-5
C3	E-6	C19	C-5	L3	D-3	R8	K-10	R25	H-3
C4	G-8	C20	L-4	L4	N-2	R9	L-10	R26	H-3
C5	K-10	D1	I-7	L5	B-10	R10	K-9	R27	I-3
C6	N-10	D2	K-7	P11	A-6	R11	N-10	R28	M-4
C7	M-6	D3	F-10	Q1	J-10	R12	J-7	R29	M-5
C8	K-3	D4	N-9	Q2	J-9	R13	N-7	R30	M-4
C9	H-2	D5	O-9	Q3	O-8	R14	J-2	R31	M-5
C10	F-2	D6	J-8	Q4	M-3	R15	I-2	R32	N-4
C11	E-10	D7	J-2	Q5	G-3	R16	D-9	R33	N-5
C12	N-4	D8	I-2	R1	F-9	R17	M-2	R34	L-4
C13	O-5	D9	F-10	R2	H-8	R18	L-3	T1	I-5
C14	K-5	D10	N-2	R3	J-7	R19	I-3	T2	L-8
C15	L-6	D11	H-3	R4	K-9	R20	M-3	T3	H-10
C16	C-2	IC1	N-3	R5	B-8	R21	N-3	Z1	J-7
C17	C-4	L1	C-8	R6	G-9	R22	K-4		

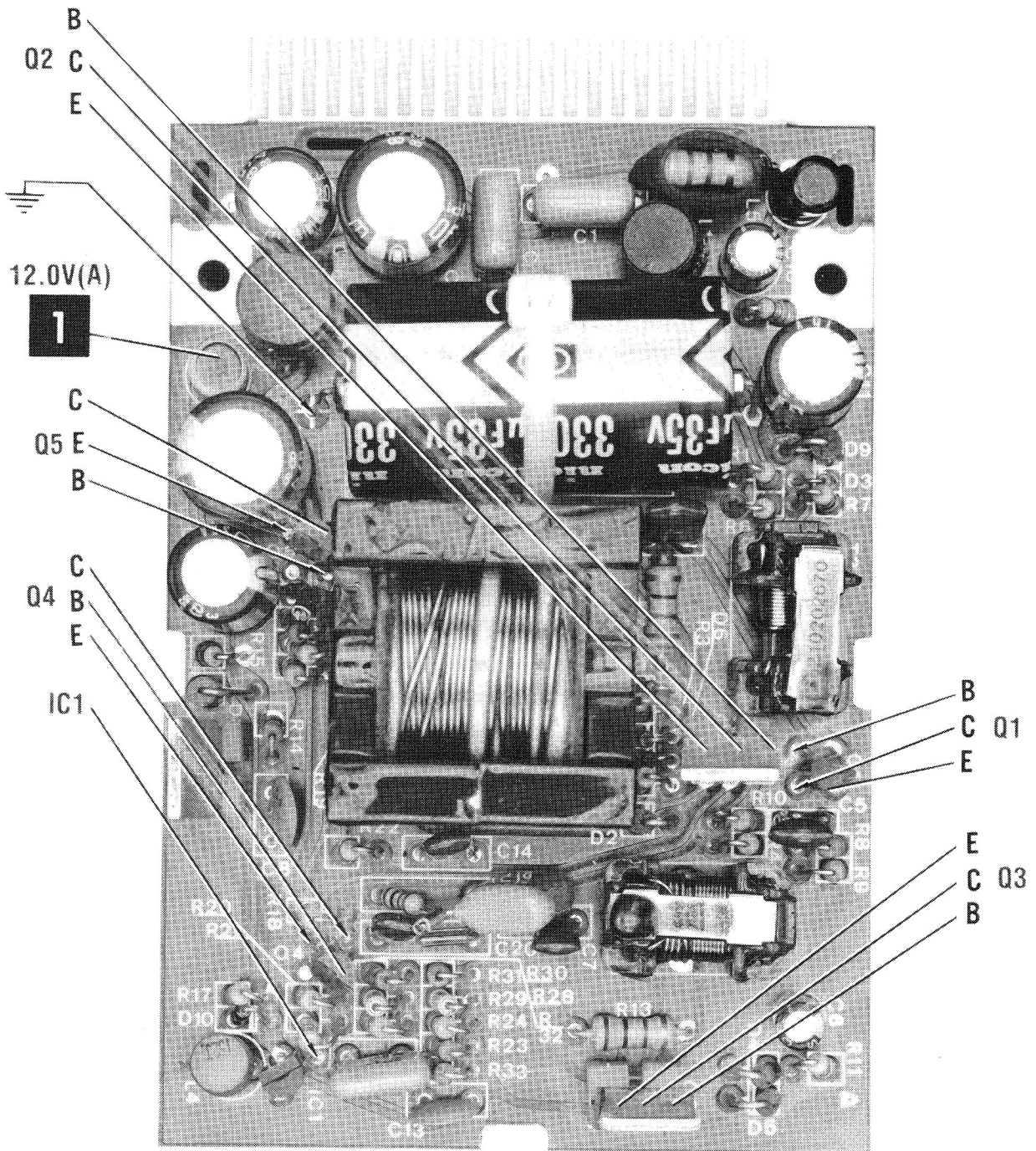


APPLE
MODEL IIc

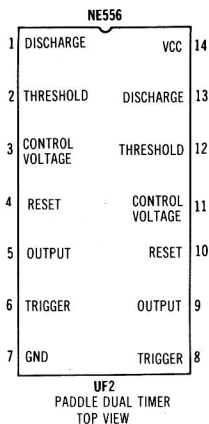
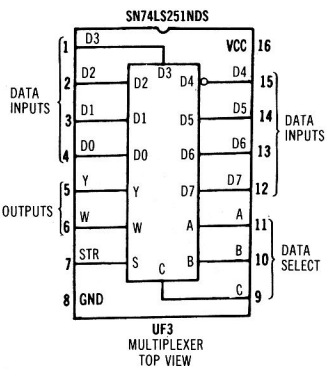
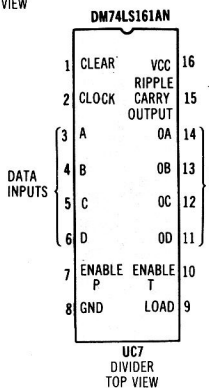
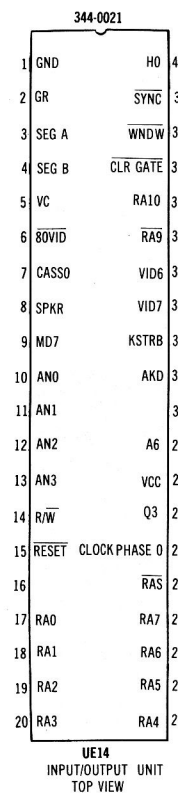
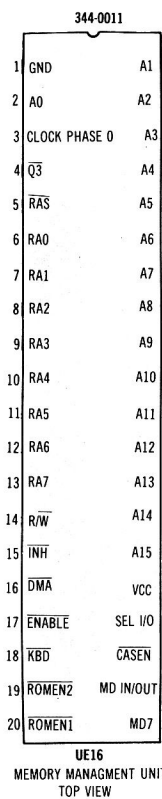
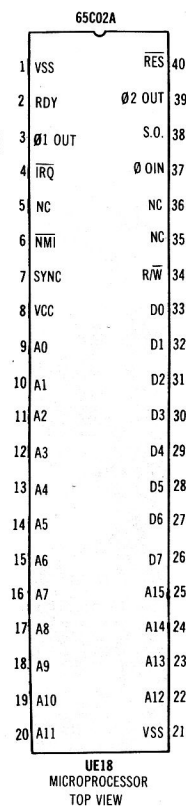
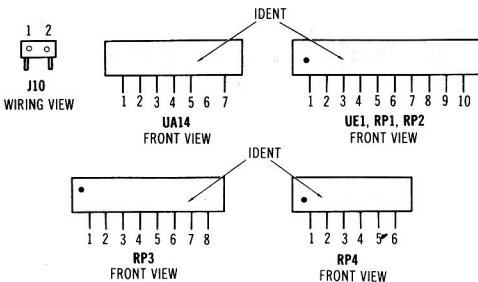
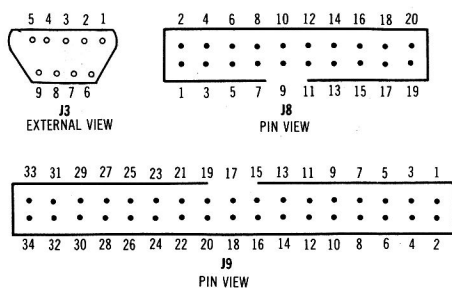
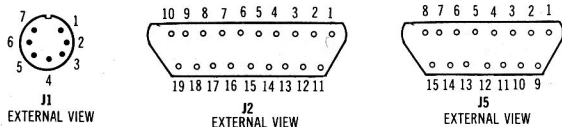
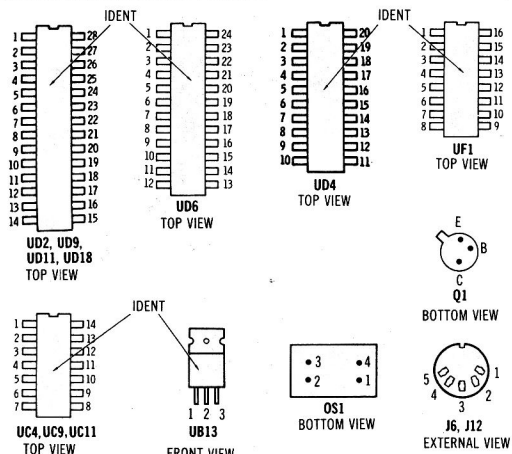
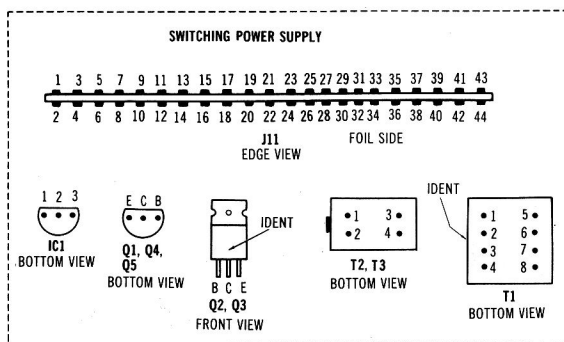


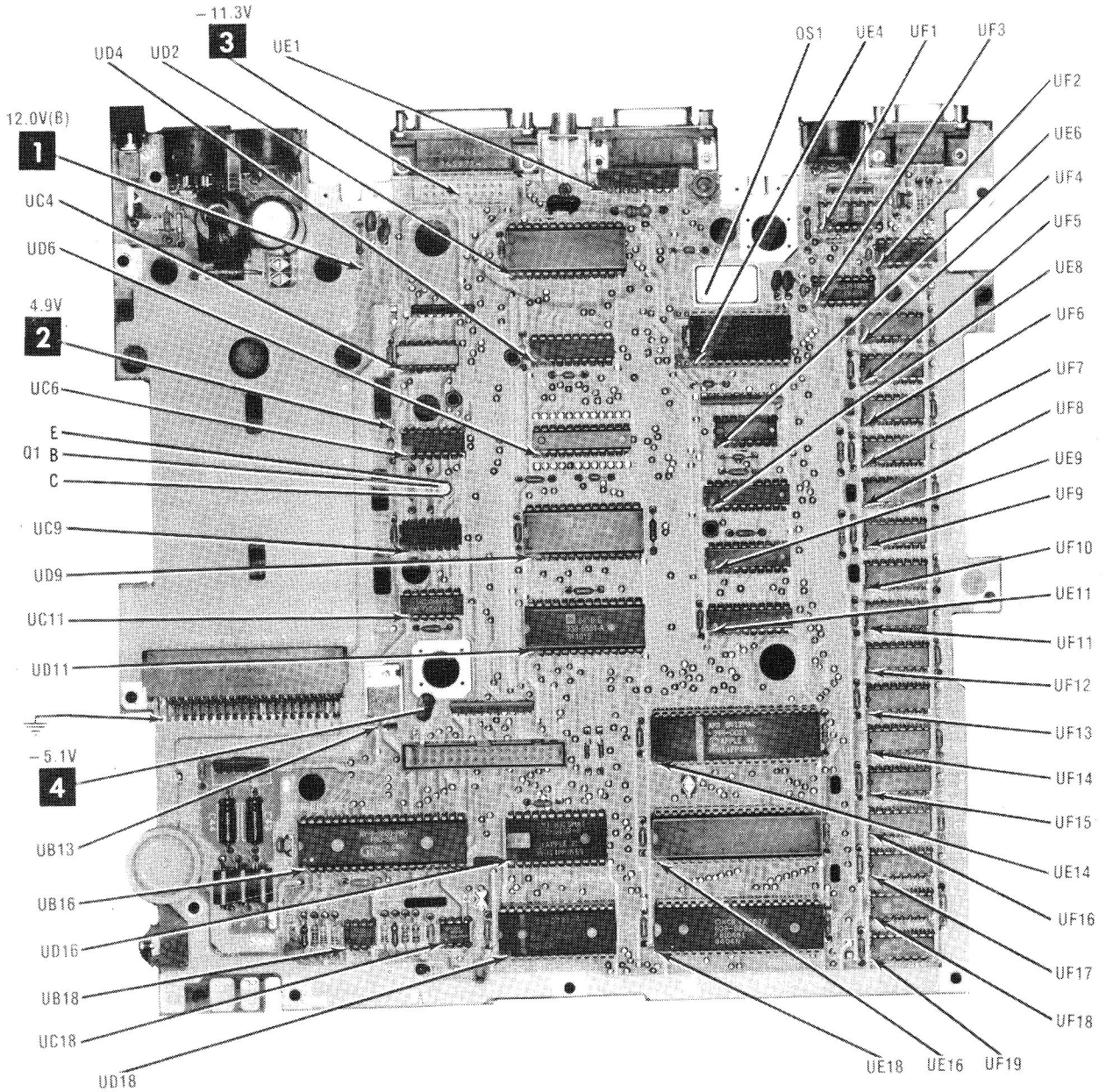
SYSTEM BOARD

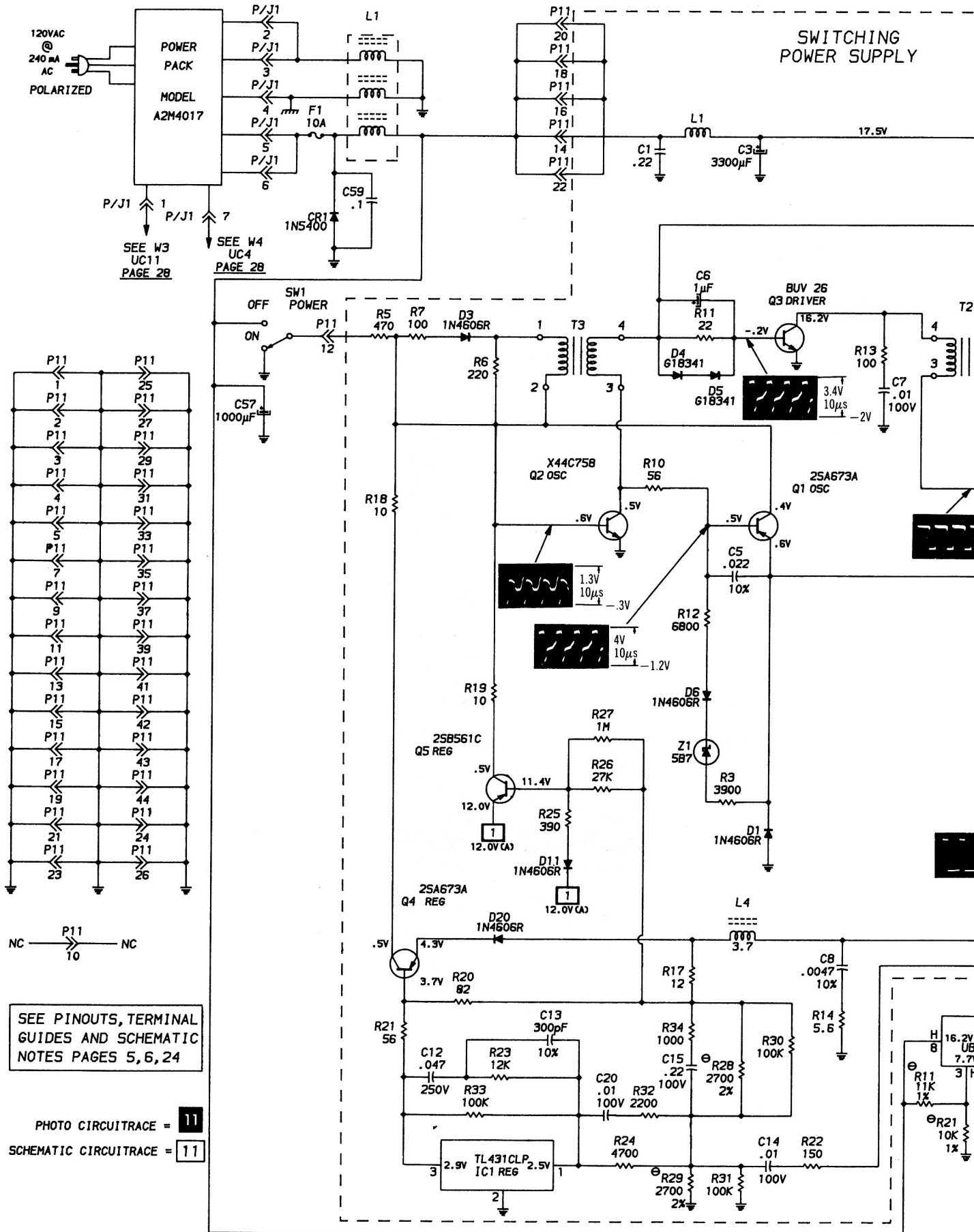
A How



ARROWS ON IC'S INDICATE PIN 1 UNLESS NOTED



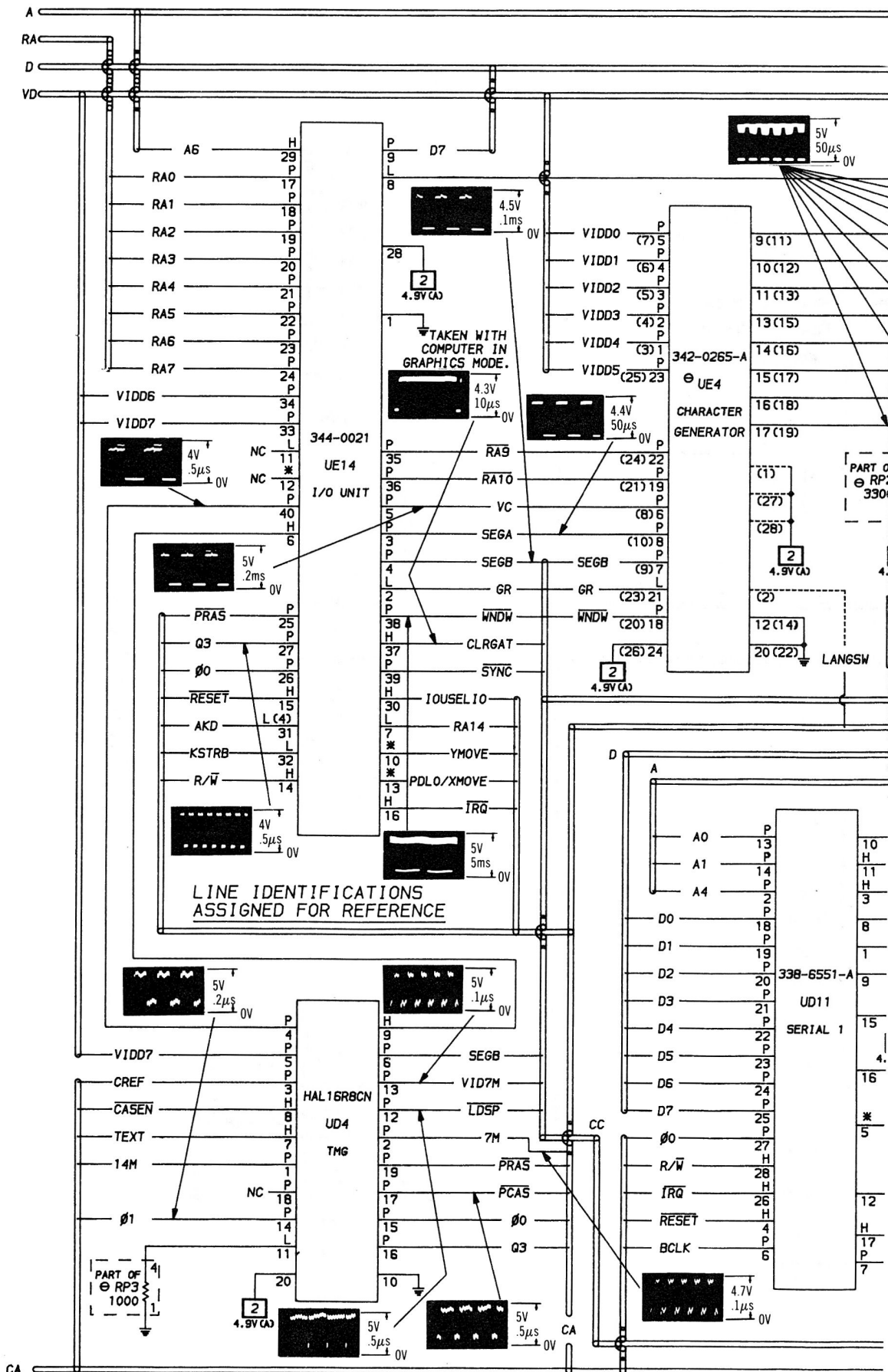




A PHOTOFACIT STANDARD NOTATION SCHEMATIC
WITH **CIRCUITRACE**

© Howard W. Sams & Co., Inc. 1985

SWITCHING POWER SUPPLY

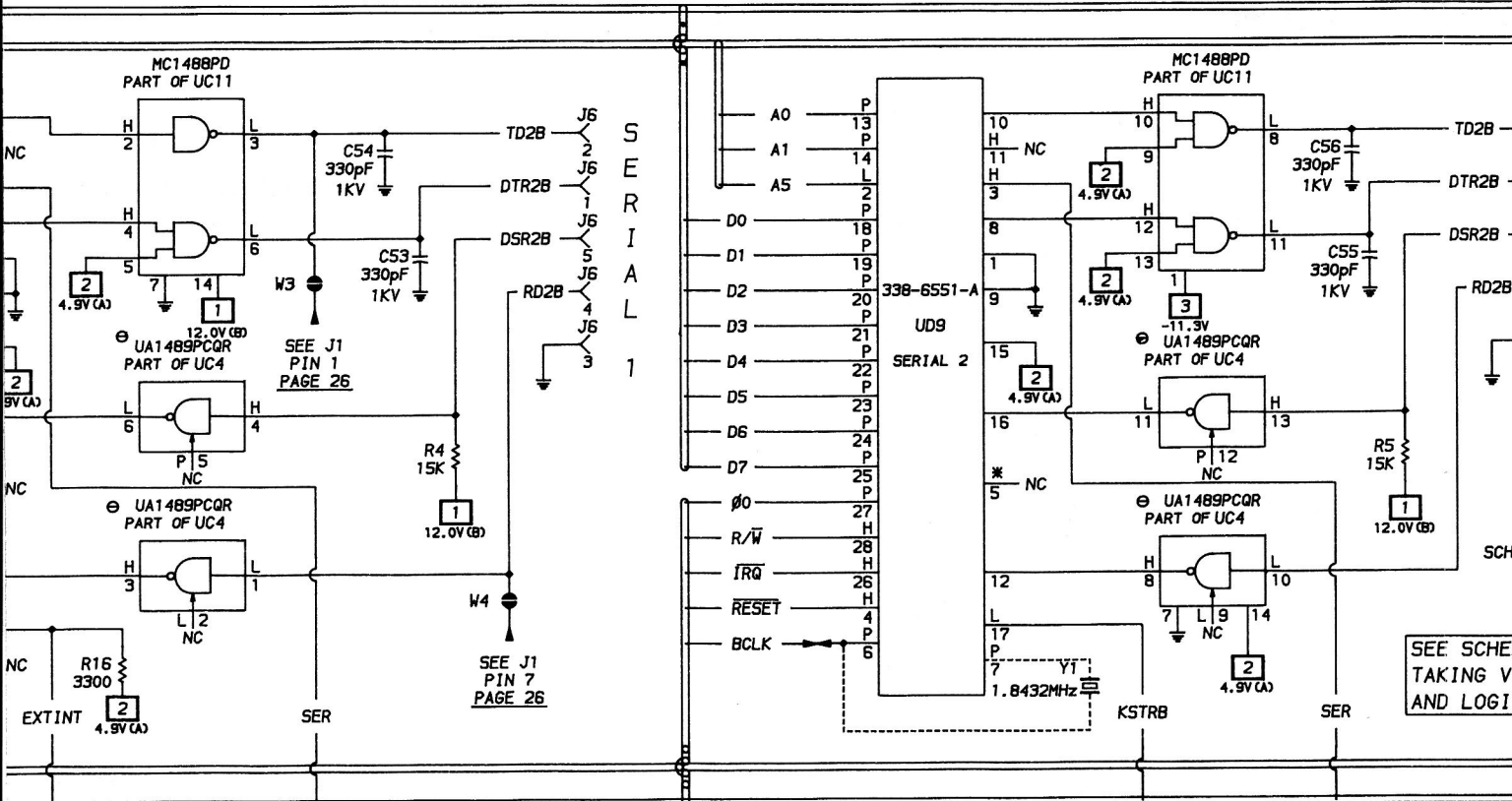
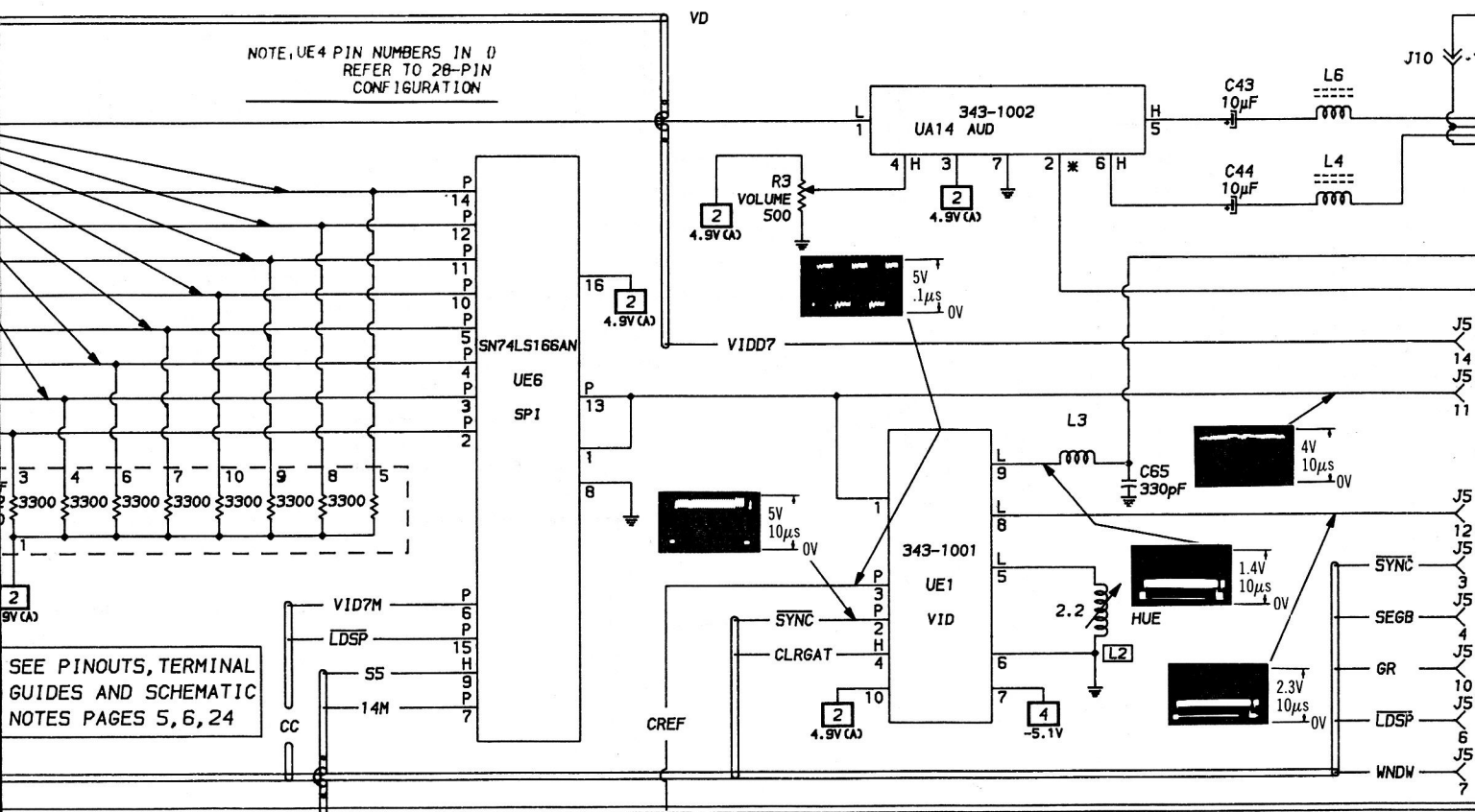


CA A PHOTOFAC STANDARD NOTATION SCHEMATIC

WITH **CIRCUITRACE**

© Howard W. Sams & Co., Inc. 1985

SYSTEM BOARD



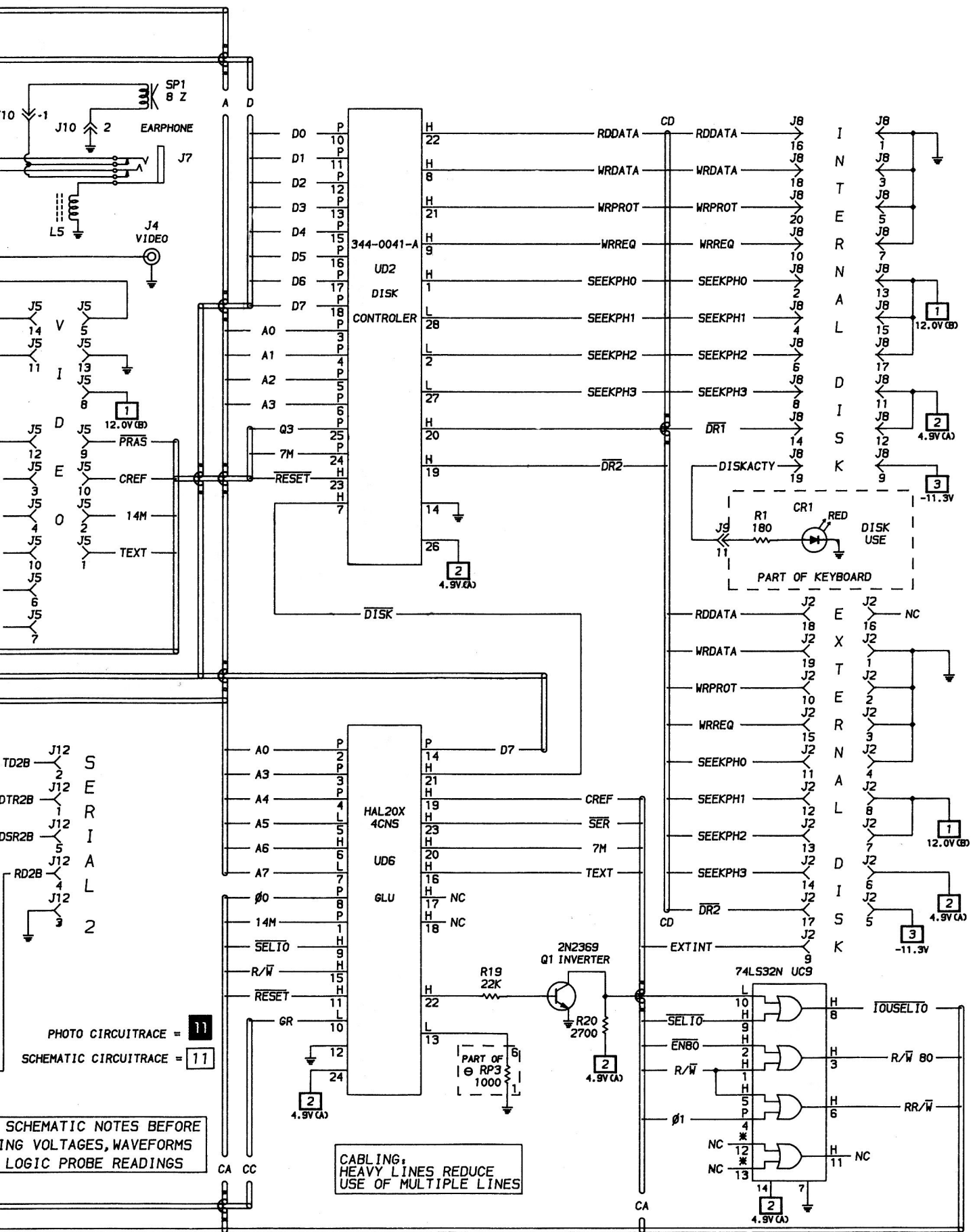


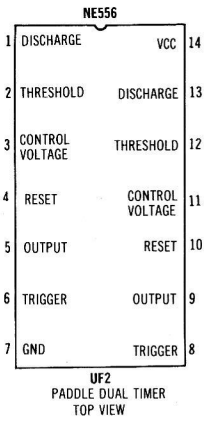
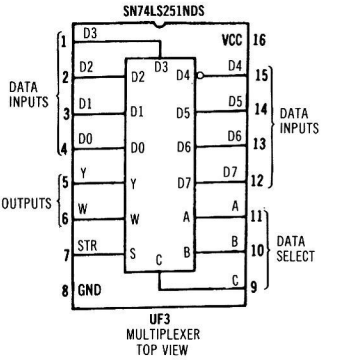
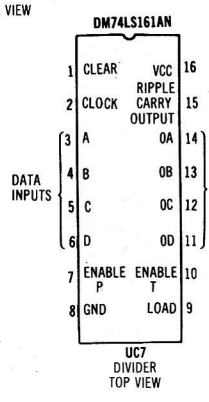
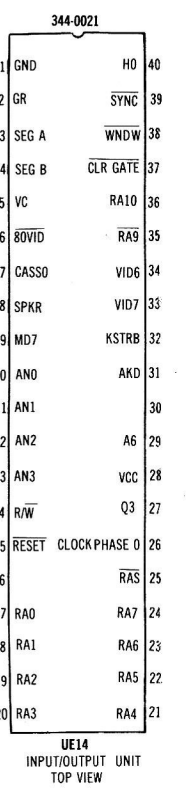
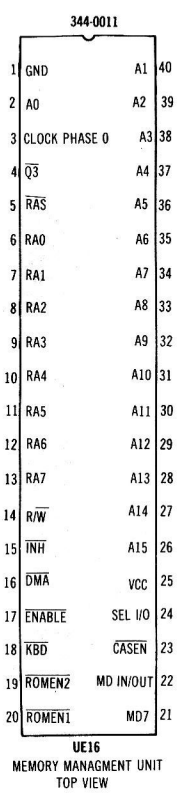
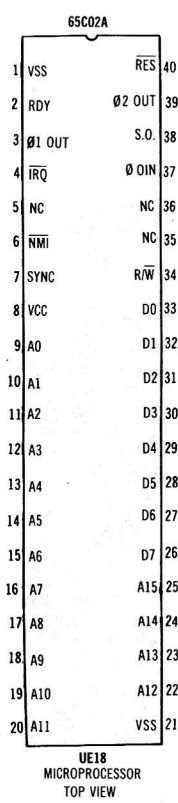
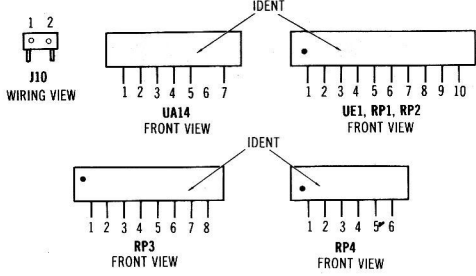
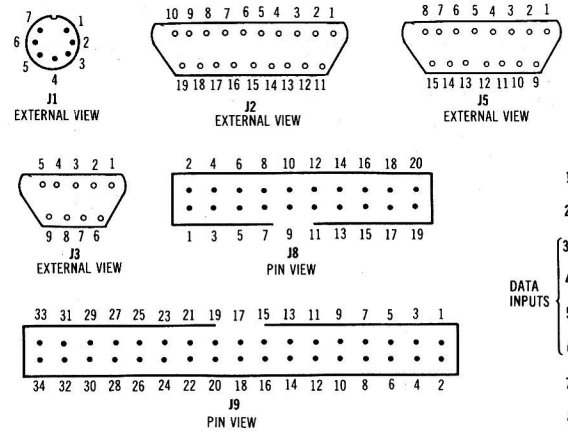
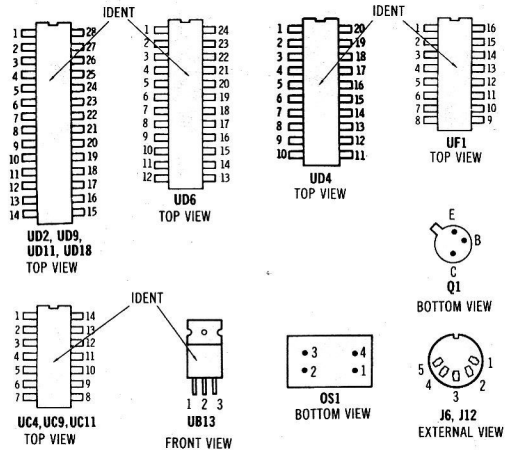
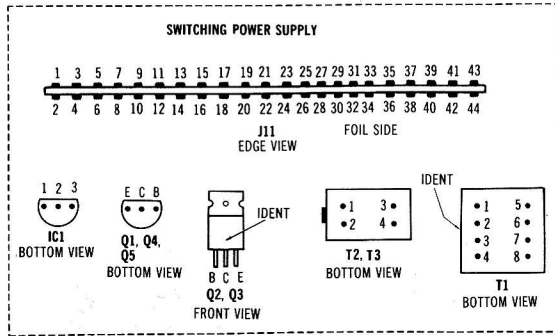
PHOTO CIRCUITRACE = 11
 SCHEMATIC CIRCUITRACE = 11

CABLING, HEAVY LINES REDUCE USE OF MULTIPLE LINES

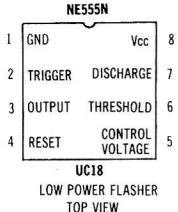
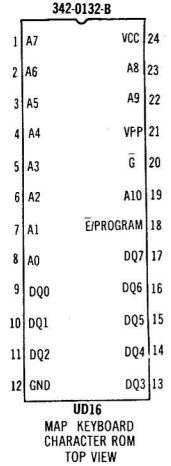
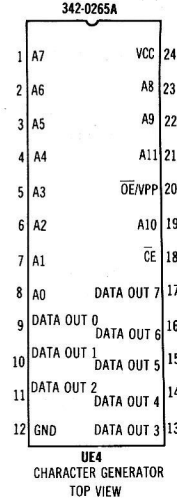
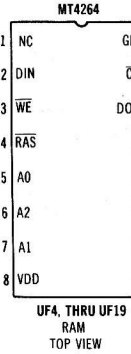
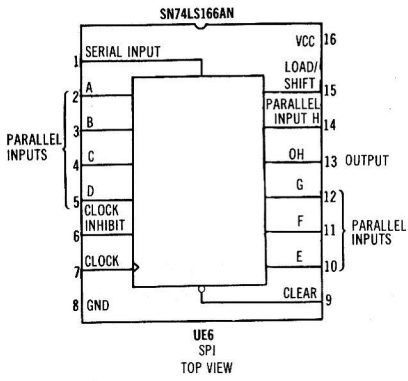
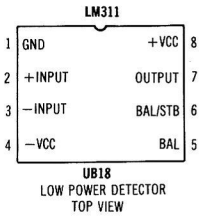
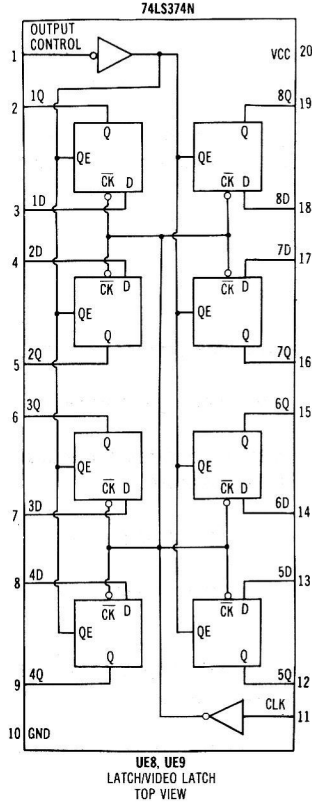
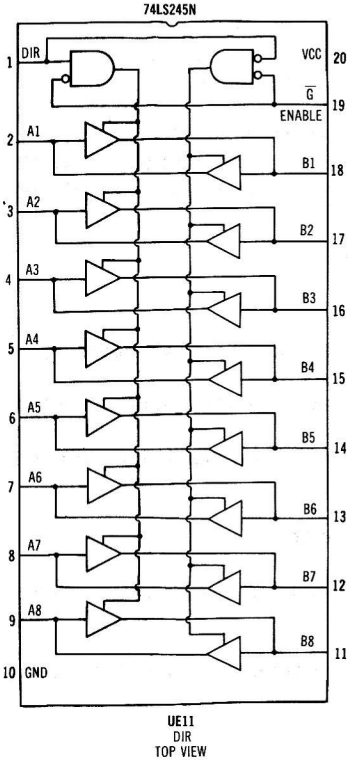
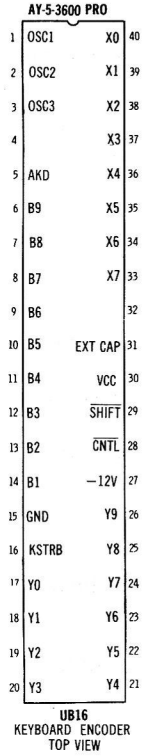
SCHEMATIC NOTES BEFORE
 ING VOLTAGES, WAVEFORMS
 LOGIC PROBE READINGS

APPLE
 SYSTEM BOARD MODEL IIc

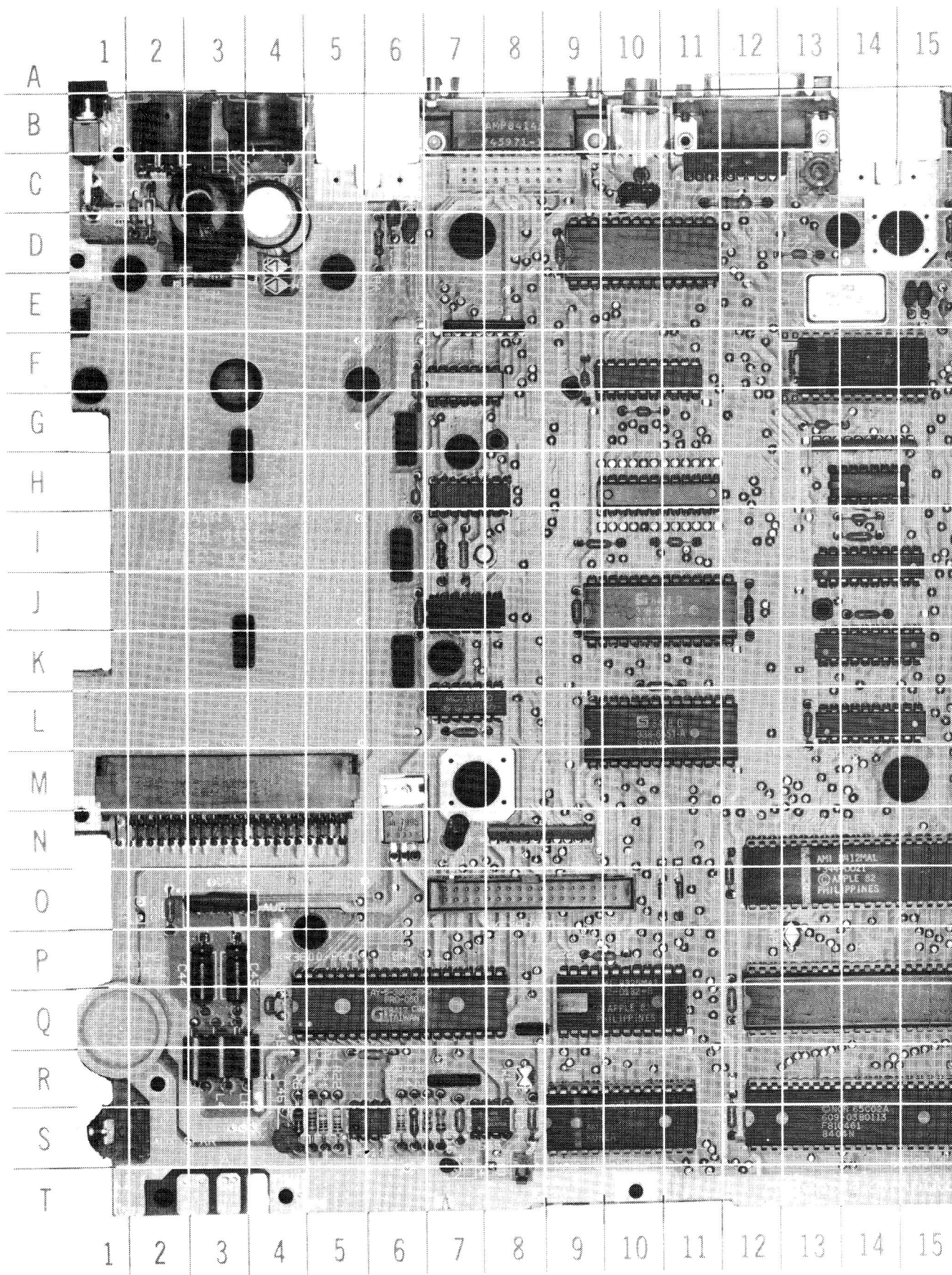
The following pages are the multi-page graphics which were split in the booklet but appear again here in their proper sequence.



INAL GUIDES



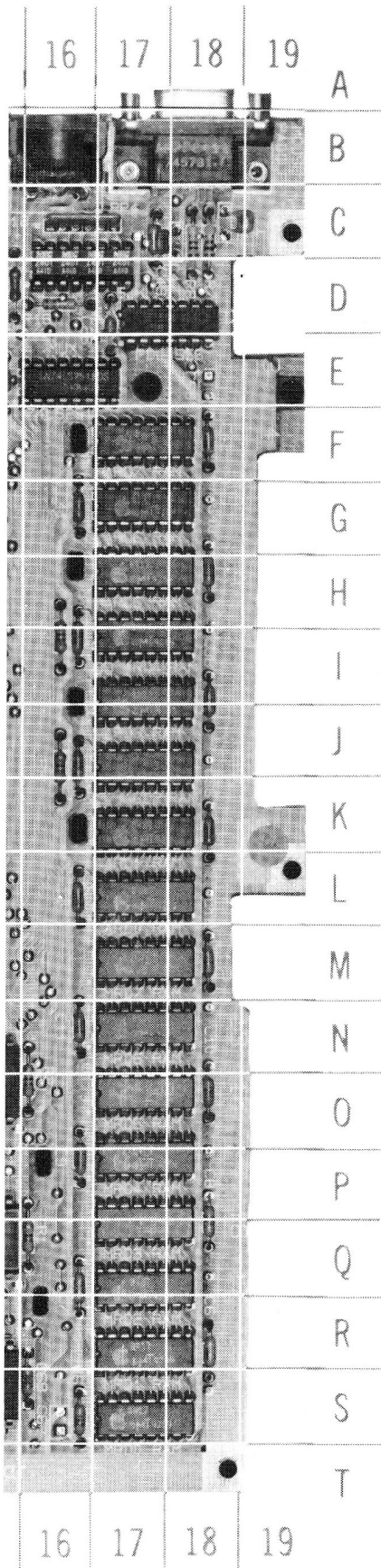
CSCS7
 APPLE
 MODEL IIC



SYSTEM BOARD

A Howard

SYSTEM BOARD GridTrace LOCATION GUIDE



C1	S-12	L1	C-3	UF16	Q-17
C2	S-8	L2	C-13	UF17	Q-17
C3	Q-12	L3	C-12	UF18	R-17
C4	O-12	L4	R-3	UF19	S-17
C5	S-16	L5	R-3		
C6	R-18	L6	R-3		
C7	Q-16	OS1	E-14		
C8	Q-18	Q1	I-8		
C9	P-16	R1	Q-16		
C10	O-18	R2	O-16		
C11	N-16	R3	Q-1		
C12	M-18	R4	D-6		
C13	G-10	R5	D-15		
C14	J-6	R6	S-4		
C15	I-11	R7	C-18		
C16	S-7	R8	C-18		
C17	L-7	R9	J-16		
C18	K-9	R10	I-16		
C19	H-6	R11	S-5		
C20	F-6	R12	S-7		
C21	R-6	R13	S-6		
C22	P-10	R14	S-6		
C23	O-2	R15	S-7		
C25	E-15	R16	J-12		
C27	L-13	R18	D-16		
C28	I-14	R19	I-7		
C29	J-14	R20	I-7		
C30	G-13	R21	S-5		
C31	I-14	R22	S-5		
C33	J-9	RP1	N-8		
C34	D-13	RP2	G-14		
C35	L-16	RP3	F-7		
C36	K-18	RP4	C-16		
C37	J-16	S1	B-1		
C38	I-18	UA14	Q-3		
C39	I-16	UB13	N-6		
C40	H-18	UB16	Q-6		
C41	G-16	UB18	S-6		
C42	F-18	UC4	F-7		
C43	P-3	UC6	H-7		
C44	P-3	UC10	J-7		
C45	Q-4	UC11	L-7		
C46	S-4	UC18	S-8		
C47	C-17	UD2	D-10		
C48	C-18	UD4	F-10		
C49	C-17	UD6	H-10		
C51	T-7	UD9	J-10		
C53	D-6	UD11	L-10		
C54	D-6	UD16	Q-10		
C55	E-15	UD18	S-10		
C56	E-15	UE1	C-12		
C57	C-4	UE4	F-14		
C59	C-2	UE6	H-14		
C60	N-7	UE8	I-14		
C65	C-10	UE9	K-14		
C67	F-9	UE11	L-14		
C68	I-9	UE14	O-14		
C69	S-16	UE16	Q-14		
CR1	E-3	UE18	S-14		
CR2	O-11	UF1	D-16		
CR3	O-10	UF2	D-17		
F1	D-2	UF3	E-16		
J1	B-2	UF4	F-17		
J2	B-8	UF5	G-17		
J3	B-18	UF6	H-17		
J4	B-10	UF7	I-17		
J5	B-12	UF8	I-17		
J6	B-4	UF9	J-17		
J7	S-1	UF10	K-17		
J8	C-8	UF11	L-17		
J9	O-8	UF12	M-17		
J10	T-8	UF13	N-17		
J11	M-3	UF14	O-17		
J12	B-16	UF15	P-17		

CSCS7
APPLE
MODEL IIC

CSCS7-A
APPLE
MODEL IIc

**KEYBOARD, SYSTEM BOARD
POWER SUPPLY**

See Folder CSCS7

MONOCHROME MONITOR

See Folder CSCS7-B

CSCS7-A
APPLE
MODEL IIc

INDEX

	Page		Page
GridTrace Location Guide		Photos (Continued)	
Analog Board	3	Mechanical-Top View	13
Motor Speed Control Board	12	Mechanical-Bottom View	13
Line Definitions	5	Motor Speed Control Board	11,12
Logic Chart	8	Schematics	
Miscellaneous Adjustments	9,10	Disk Drive	2
Parts List	6,7,8	IC Pinouts	2
Photos		Terminal Guides and Notes	2
Analog Board	2,3	Troubleshooting	4,5



Howard W. Sams & Co., Inc.

4300 West 62nd Street, P.O. Box 7092, Indianapolis, Indiana 46206 U.S.A.

The listing of any available replacement part herein does not constitute in any case a recommendation, warranty or guaranty by Howard W. Sams & Co., Inc., as to the quality and suitability of such replacement part. The numbers of these parts have been compiled from information furnished to Howard W. Sams & Co., Inc., by the manufacturers of the particular type of replacement part listed.

Reproduction or use, without express permission, of editorial or pictorial content, in any manner, is prohibited. No patent liability is assumed with respect to the use of the information contained herein.

© 1985 Howard W. Sams & Co., Inc.

4300 West 62nd Street, P.O. Box 7092, Indianapolis, Indiana 46206 U.S.A.

Printed in U.S. of America.

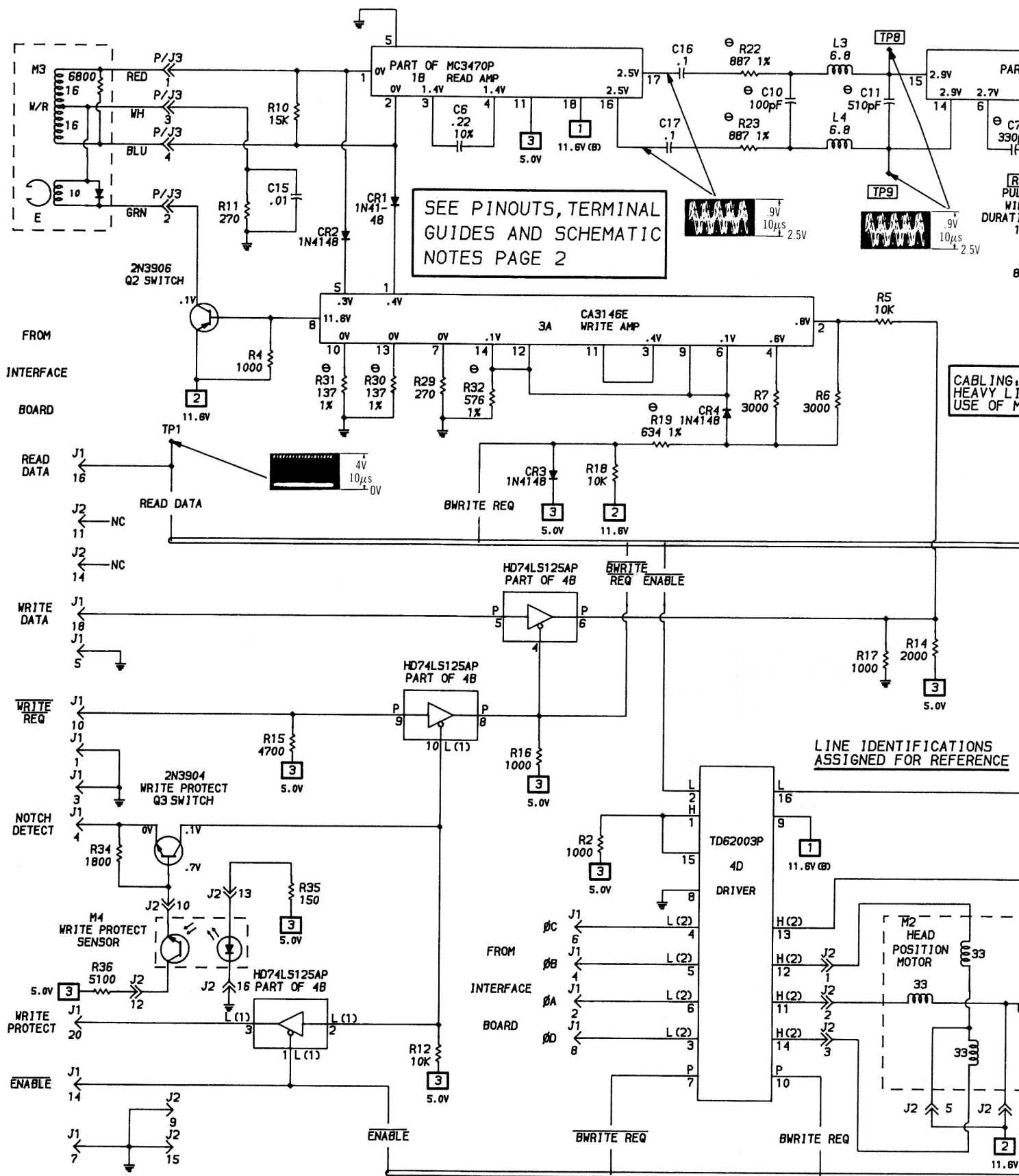
85CS14956

DATE 9-85

Preface

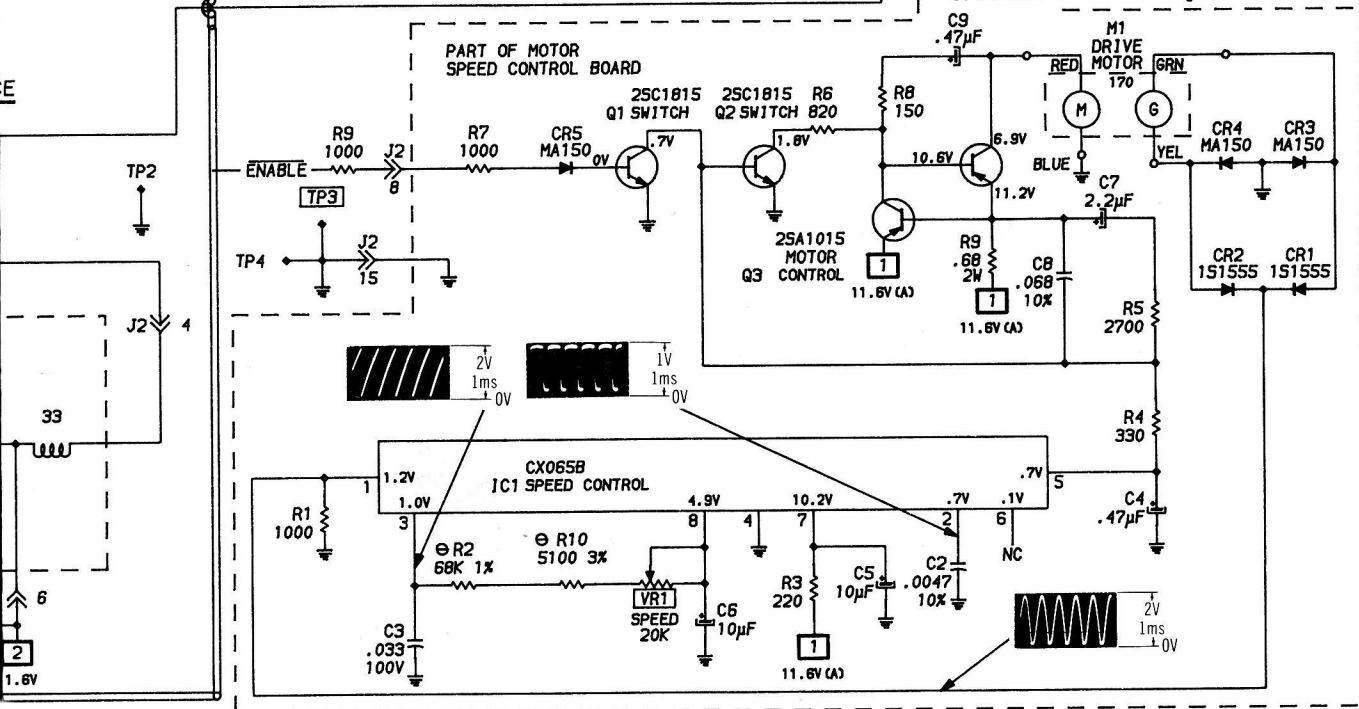
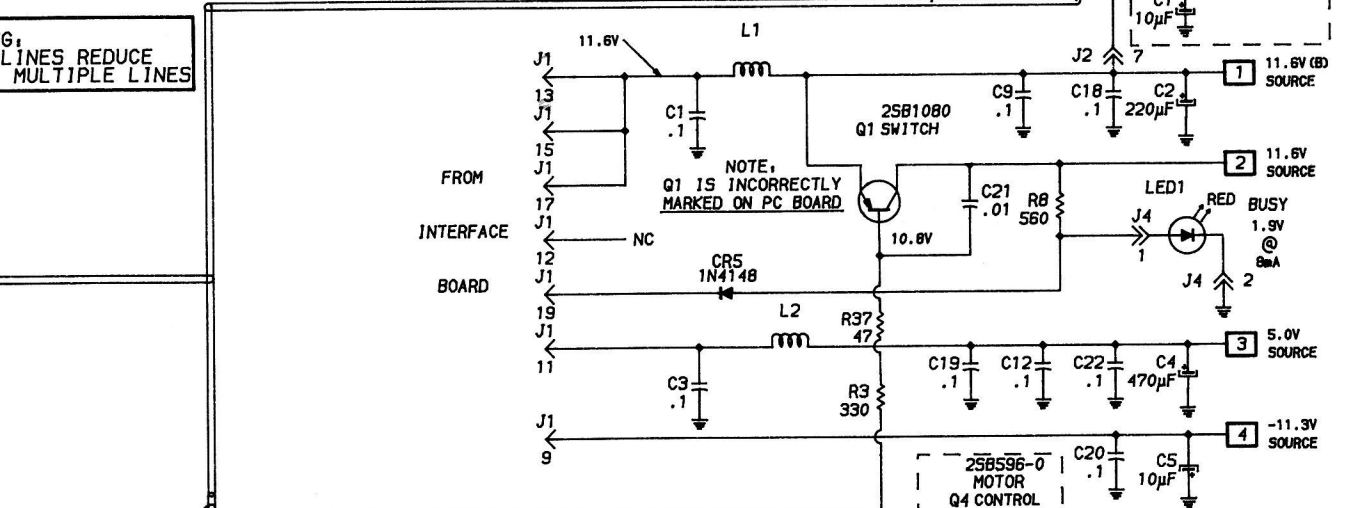
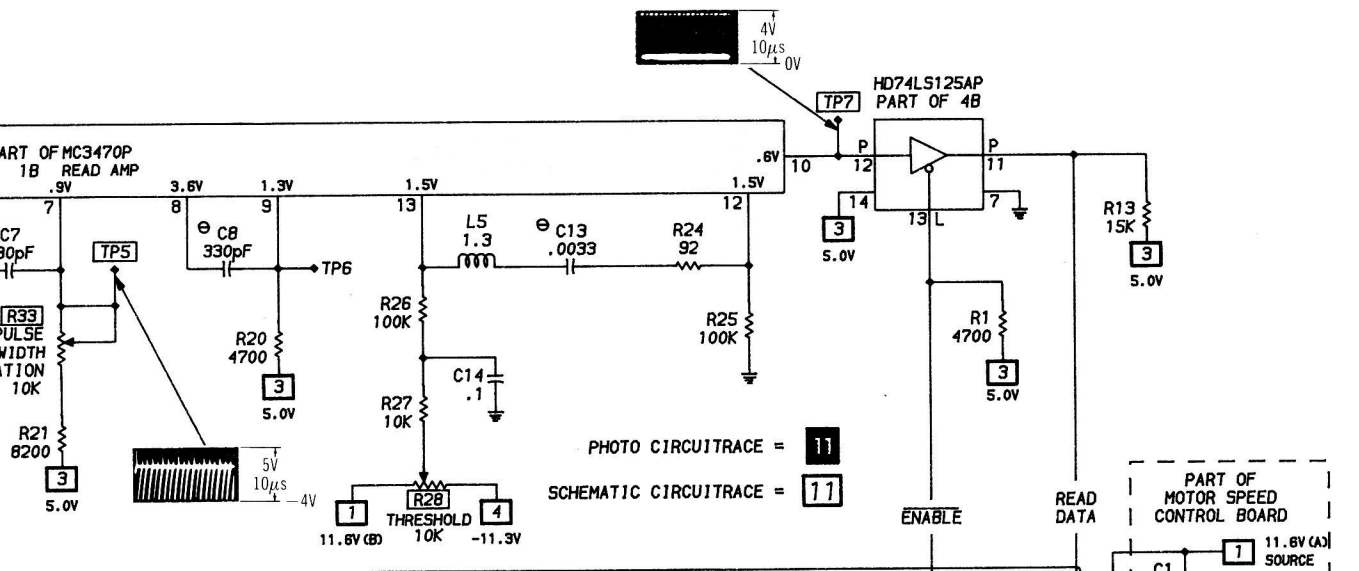
This manual is comprised of loose pages that were folded in half & then numbered to produce a set of 4 loose-leaf booklets. As a result, graphics are split and halves do not appear on consecutive pages. For example, one graphic's left half was page 26 and the right half was page 3 of the first booklet!

Because of this, the manual is presented in page order, and then some of the split graphics (which spanned 2 or more pages) follow again but in proper sequence at the end of the booklet for easy viewing.



A PHOTOFAC STANDARD NOTATION SCHEMATIC
WITH **CIRCUITRACE**

© Howard W. Sams & Co., Inc. 1985

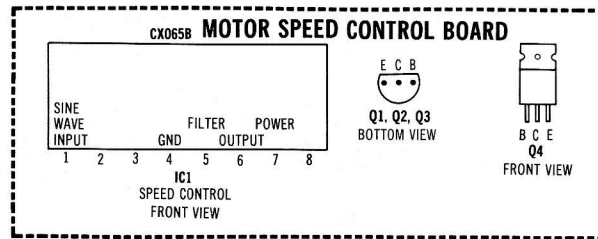
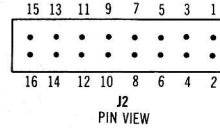
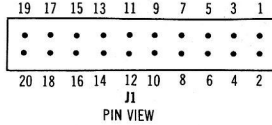
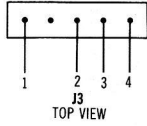
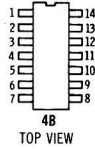
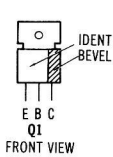
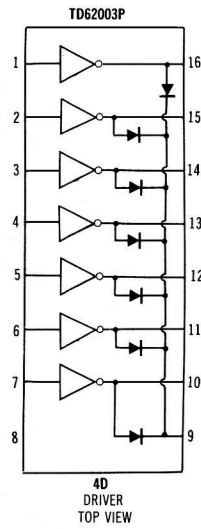
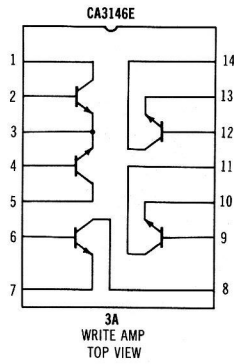
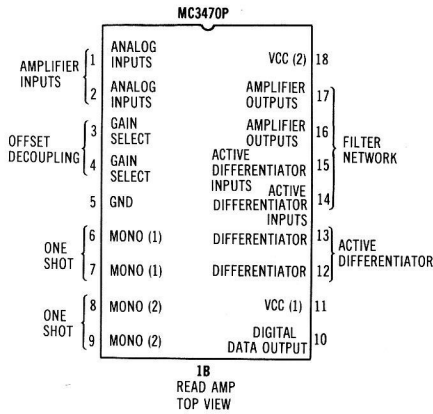


- Circuitry not shown
- - - Circuitry not shown
- ⊕ See parts list
- ⊕ Ground
- ⊕ Chassis
- ⊕ Waveform
- ⊕ otherwise
- ⊕ Voltages, and during
- ⊕ Drive while
- ⊕ and during
- ⊕ noted. An
- ⊕ programs
- ⊕ Caps Lock
- 10 DS = C
- 20 PRINT
- 30 PRINT
- 40 FOR X
- 50 PRINT
- 60 NEXT
- 70 PRINT
- 80 GOTO

APPLE
DISK DRIVE
MODEL IIc

IC PINOUTS, TERMINAL GUIDES & SCHEMATIC NOTES

TERMINAL GUIDES

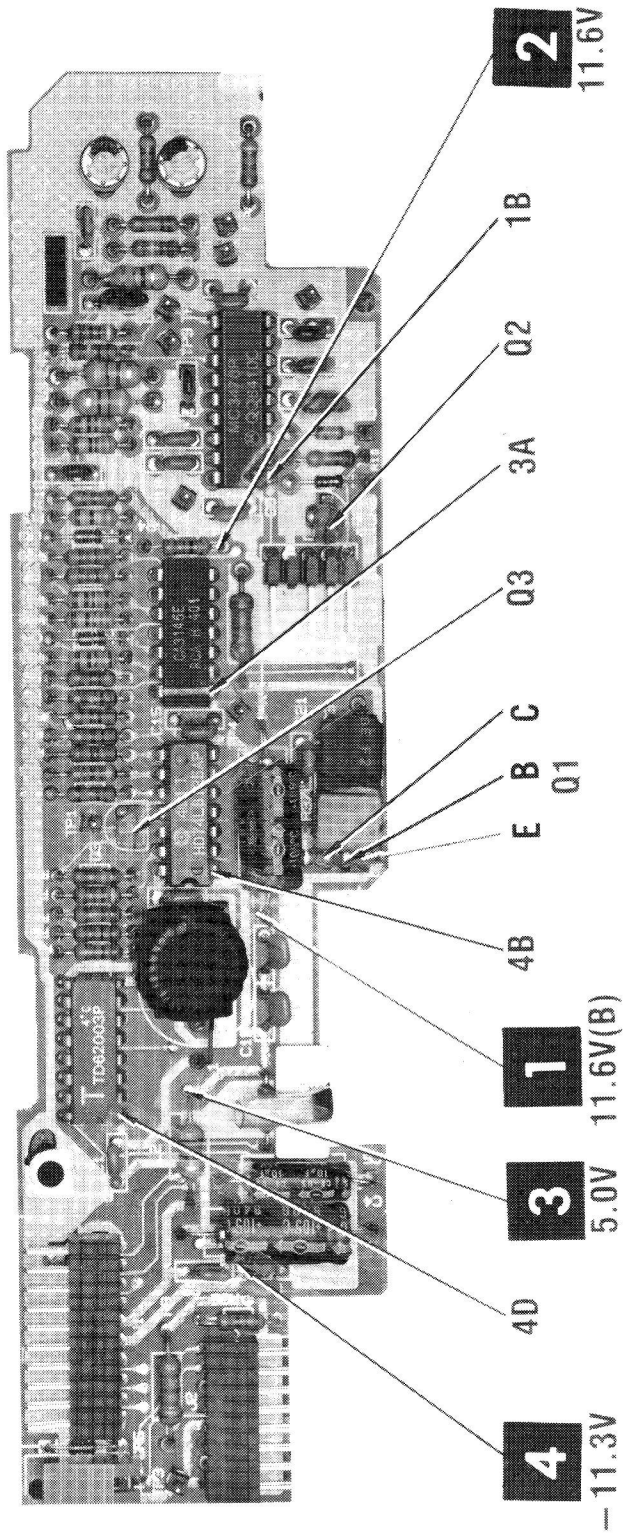


SCHEMATIC NOTES

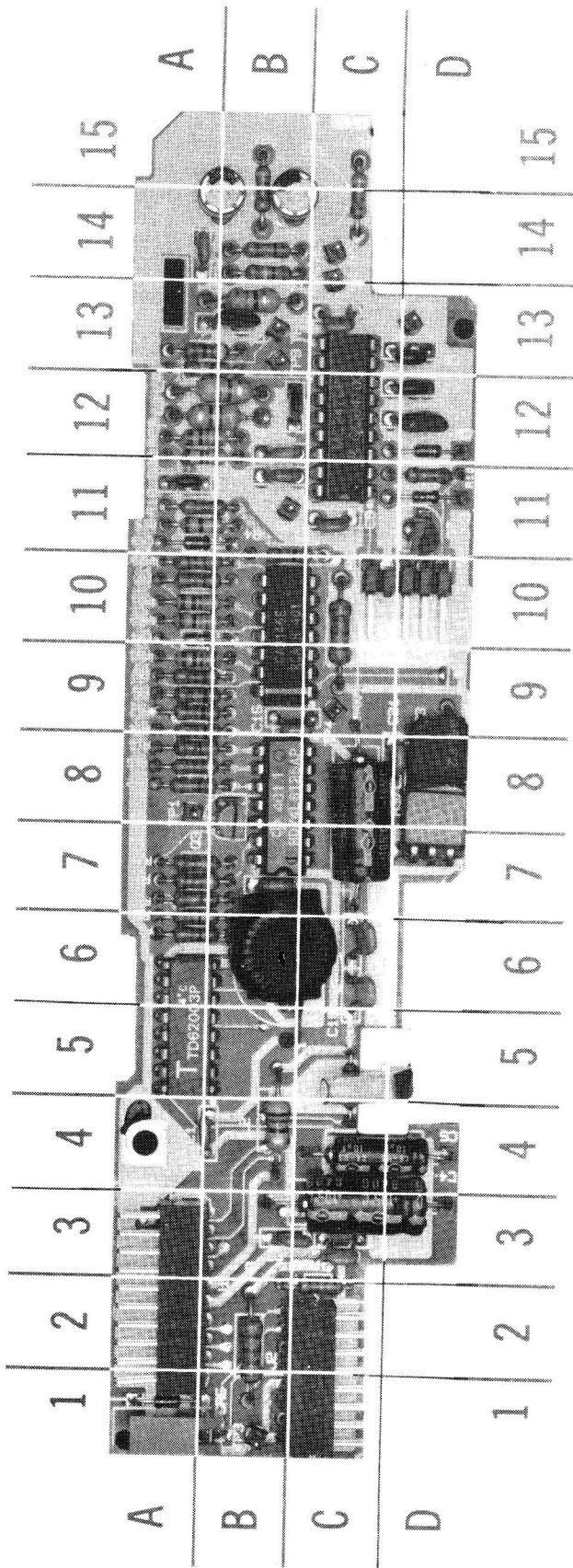
try not used in some versions
 try used in some versions
 parts list
 and
 sis
 forms and voltages taken from ground, unless noted
 erwise
 ges, logic readings and waveforms taken on the Disk
 while running the following program (with DOS 3.3)
 uring the period when the Head is not moving unless
 . An initialized diskette, with DOS 3.3 only (no other
 am or data), was used in the Disk Drive. Note: Put the
 Lock key in the down position.

 = CHR\$(4)
 INT DS; "OPEN SAMS"
 INT DS; "WRITE SAMS"
 R X = 1 TO 50
 INT "THIS IS A TEST"
 EXT X
 INT DS; "CLOSE"
 TO 20

Waveforms taken with triggered scope and Sweep/Time
 switch in Calibrate position, scope input set for DC
 coupling on 0 reference voltage waveforms. Switch to AC
 input to view waveforms after DC reference is measured
 when necessary. Each waveform is 7 cm. width with DC
 reference voltage given at the bottom line of each wave-
 form.
 Time in μ sec. per cm, given with p-p reading at the end of
 each waveform.
 Item numbers in rectangles appear in the alignment/ad-
 justment instructions.
 Supply voltages maintained as shown at input.
 Controls adjusted for normal operation.
 Terminal identification may not be found on unit.
 Capacitors are 50 volts or less, 5% unless noted.
 Electrolytic capacitors are 50 volts or less, 20% unless
 noted.
 Resistors are $\frac{1}{2}$ W or less, 5% unless noted.
 Value in () used in some versions.



ARROWS ON IC'S INDICATE PIN 1 UNLESS NOTED.



DISK DRIVE ANALOG BOARD GridTrace LOCATION GUIDE

C1	C18	C-6	L4	A-12	R13	A-7	R30	A-9
C2	C19	C-6	L5	B-13	R14	A-9	R31	A-10
C3	C20	C-3	Q1	D-8	R15	A-8	R32	A-10
C4	C21	D-8	Q2	D-11	R16	A-8	R33	B-14
C5	C22	B-7	Q3	B-8	R17	A-9	R34	A-7
C6	CR1	D-12	R1	A-7	R18	A-11	R35	C-5
C7	CR2	D-11	R2	A-6	R19	A-11	R36	C-2
C8	CR3	A-11	R3	D-8	R20	C-14	R37	D-8
C9	CR4	A-10	R4	B-11	R21	B-14	TP3	B-1
C10	CR5	A-1	R5	A-9	R22	A-12	TP5	C-14
C11	J1	A-2	R6	A-9	R23	A-12	TP7	B-13
C12	J2	C-1	R7	A-10	R24	A-13	TP8	B-11
C13	J3	D-10	R8	B-2	R25	A-13	TP9	B-13
C14	J4	A-1	R9	A-6	R26	B-14	1B	C-12
C15	L1	C-6	R10	D-11	R27	B-14	3A	B-10
C16	L2	B-4	R11	C-10	R28	A-14	4B	B-8
C17	L3	A-12	R12	A-8	R29	A-10	4D	A-5

DISK DRIVE ANALOG BOARD

A Howard W. Sams **GRIDTRACE™** Photo

APPLE MODEL IIC
CSCS7-A

TROUBLESHOOTING (Continued)

WILL NOT WRITE

Verify that the write protect circuit is functioning properly by inserting a diskette that is not write protected. Check for a Low logic reading on pin 3 of IC 4B. If the logic reading is not Low, see the "Write Protect Does Not Function" section of this Troubleshooting guide.

Insert a blank diskette in the Disk Drive and close the door. Type in and run the program given in the "Will Not Read" section of this Troubleshooting guide.

WARNING! Do not use a diskette containing important data when running this program. The program will write random data over any data already on the diskette.

With the program running, check for pulses at pin 8 of IC 4B. If the pulses are missing at pin 8 of IC 4B, check for pulses at pin 9 of IC 4B. If pulses are present at pin 9 of 4B, check IC 4B. If the pulses are missing at pin 9 of IC 4B, check the interface cable and Connector J1. If the **BWRITE REQ** pulses are present at pin 9 of IC 4B, check for **WRITE DATA** pulses at pin 6 of IC 4B. If the pulses are missing at pin 6 of IC 4B, check for pulses at pin 5 of IC 4B. If the pulses are present at pin 5, check IC 4B.

If the **WRITE DATA** pulses are present at pin 6 of IC 4B, check for pulses at pins 1 and 5 of Write Amp IC (3A). If the pulses are missing at either pins 1 or 5, check IC 3A. If the pulses are present at both pins 1 and 5 of IC 3A, check Diodes CR1 and CR2. Also check the read/write head coils and Connector J3.

ERASE HEAD

Verify that the erase head is not open by checking for continuity between pins 2 and 3 of Plug P3. If the erase head checks good, type in and run the program given in the "Will Not Read" section of this Troubleshooting guide.

WARNING! Do not use a diskette containing important data when running this program. This program will write random data over any data already on the diskette.

Connect scope to pin 8 of IC 3A and set the time base to 5mSec. With the program running, check for approximately 1.0V peak-to-peak pulses. If the pulses are missing at pin 8 of IC 3A, check IC 3A. If the pulses are present at pin 8 of IC 3A, check for approximately 13.0V peak-to-peak pulses at the collector of Switch Transistor (Q2). If the pulses are missing at the collector of Q2, check Transistor Q2.

WRITE PROTECT DOES NOT FUNCTION

If a write protected disk is being written on, use the following procedure to check the write protect circuit. Insert a write protected diskette in the Disk Drive and close the door. Type in and run the program given in the "Will Not Read" section of this Troubleshooting guide. **WARNING!** Make sure that the diskette being used does not contain important data since this program will write random data over the data already on the diskette.

With the program running, check for a High logic reading on pin 3 of IC 4B. If pin 3 of IC 4B is logic High, the write protect circuit is working. If pin 3 of IC 4B is logic Low, check for a logic High on pin 2 of IC 4B. If pin 2 of IC 4B is logic High, check IC 4B. If pin 2 of IC 4B is logic Low, check for approximately 0V at the base of Transistor Q3. If the base of Q3 is approximately 0V, check Transistor Q3. If the base of Transistor Q3 is approximately 0.7V, check for a shorted Write Protect Detector Phototransistor.

If pin 3 of IC 4B is logic High when attempting to write on a non-write protected diskette, check for a logic Low on pin 2 of IC 4B. If pin 2 of IC 4B is logic Low, check IC 4B. If pin 2 of IC 4B is logic High, check Transistor Q3. If Transistor Q3 is good, check the Write Protect Detector and Resistor R36.

CSCS7-A
APPLE
MODEL IIC

LINE DEFINITIONS

BWRITE REQ Buffered Write Request
ENABLE Enable
READ DATA Read Data
WRITE REQ Write Request

Any Bar above any Alphabetical or numerical combination indicates line active in a low (0) state.

PARTS LIST AND DESCRIPTION

When ordering parts, state Model, Part Number, and Description

SEMICONDUCTORS (Select replacement for best results)

ITEM No.	TYPE No.	MFR. PART No.	REPLACEMENT DATA						
			GENERAL ELECTRIC PART No.	NTE PART No.	ECG PART No.	RCA PART No.	WORKMAN PART No.	ZENITH PART No.	
DISK DRIVE ANALOG BOARD									
CR1 thru CR5	1N4148		GE-514	NTE519	ECG519	SK3100/519	WEP925/519	103-131	
Q1	2S81080		GE-82	NTE159	ECG159	SK3466/159	WEP62/159	121-Z9003	
Q2	2N3906		GE-123AP	NTE123AP	ECG123AP	SK3854/123AP	WEP736/123A	121-Z9000A	
Q3	2N3904								
1B	MC3470P			NTE3470	ECG3470	SK3697		221-94	
3A	CA3146E					SK74LS125A		HE-443-811	
4B	HD74LS125AP		74LS125A	NTE74LS125A	ECG74LS125A	SK9093/2013			
4D	TD62003P			NTE2013	ECG2013				
DISK DRIVE MOTOR SPEED CONTROL BOARD									
CR1, CR2	1S1555		GE-300	NTE177	ECG177	SK9091/177	WEP1062/177	103-131	
CR3 thru CR5	MA150		GE-514	NTE519	ECG519	SK3100/519	WEP925/519	103-131	
Q1, Q2	2SC1815		GE-62	NTE85	ECG85	SK3124A/289A	WEP66/199	121-Z9065	
Q3	2SA1015		GE-269	NTE290A	ECG290A	SK9132	WEP911/290A	121-Z9003*	
Q4	2SB596-0		GE-250	NTE197	ECG197	SK3083/197	WEP757/197	121-988-03	
IC1	CX065B								

* Lead configuration may vary from original.

WIRING DATA

Shielded Hook-up Wire Use BELDEN No. 8401 or 8421 (Single-Conductor)
 8208 (Two-Conductor)
 9534 (Four-Conductor)
 General-use Unshielded Hook-up Wire Use BELDEN No. 8529 (Solid) Available in 13 Colors
 8522 (Stranded) Available in 13 Colors
 75-Ohm Input Lead Use BELDEN No. 8241

PARTS LIST AND DESCRIPTION (Continued)

When ordering parts, state Model, Part Number, and Description

CAPACITORS Items Not Listed Are Normally Available At Local Distributors.

ITEM No.	RATING	MFGR. PART No.
C7	DISK DRIVE ANALOG BOARD	
	330 NPO 50V 5%	

ITEM No.	RATING	MFGR. PART No.
C8	330 NPO 50V 5%	
C10	100 NPO 50V 5%	
C11	510 NPO 50V 5%	
C13	.0033 NPO 50V 5%	

CONTROLS (All wattages 1/2 watt, or less, unless listed)

ITEM NO.	FUNCTION	RESISTANCE	MFGR. PART NO.	NOTES
R28	DISK DRIVE ANALOG BOARD			
R33	Threshold Pulse Width Duration	10K 10K	8418(1) 8418(1)	
VR1	DISK DRIVE MOTOR SPEED CONTROL BOARD Speed	20K		

(1) Number on unit.

RESISTORS (Power and Special)

ITEM No.	RATING	REPLACEMENT DATA		
		MFGR. PART No.	NTE PART No.	WORKMAN PART No.
R19	DISK DRIVE ANALOG BOARD			
R22	634 1% 1/4W Metal Film			
R23	887 1% 1/4W Metal Film			
R30	887 1% 1/4W Metal Film			
R31	137 1% 1/4W Metal Film			
R32	137 1% 1/4W Metal Film			
	576 1% 1/4W Metal Film			
R2	DISK DRIVE MOTOR SPEED CONTROL BOARD			
R10	68K 1% 1/4W Metal Film		QW251	
	5100 3% 1/4W Metal Film			

COILS (RF-IF)

ITEM No.	FUNCTION	MFGR. PART No.
L1 L2	DISK DRIVE ANALOG BOARD	
	RF Choke RF Choke	

ITEM No.	FUNCTION	MFGR. PART No.
L3	Peak Ing	
L4	Peak Ing	
L5	Peak Ing	

APPLE
MODEL IIC

PARTS LIST AND DESCRIPTION (Continued)

When ordering parts, state Model, Part Number, and Description

MISCELLANEOUS

ITEM No.	PART NAME	MFR. PART No.	NOTES
LED1	LED		Busy, Red Drive Head Position Read/Write, Erase Write Protect Analog Board Motor Speed Control Board
M1	Motor		
M2	Motor		
M3	Head		
M4	Sensor		
	PC Board		
	PC Board		

CABINET & CABINET PARTS (When ordering specify model, chassis & color)

MECHANICAL PARTS LIST Reference number assigned for parts location.

REF. NO.	PART NO.	DESCRIPTION
1		Door Assembly
2		Door Spring
3		Drive Belt
4		Hub Support
5		Hub Frame
6		Arm Support Assembly
7		Tension Pulley

REF. NO.	PART NO.	DESCRIPTION
8		Head Assembly
9		Eject Spring
10		Eject Plate
11		Carriage Stopper
12		Tension Spring
13		Stepper Pulley

DISK DRIVE LOGIC

PIN NO.	IC 4B	IC 4D
1	L(1)	H
2	L(1)	L
3	L(1)	L(2)
4	P	L(2)
5	P	L(2)
6	P	L(2)
7	L	P
8	P	L
9	P	H
10	L(1)	P
11	P	H(2)
12	P	H(2)
13	L	H(2)
14	H	H(2)
15		H
16		L

```

10 DS = CHR$(4)
20 PRINT DS; "OPEN SAMS"
30 PRINT DS; "WRITE SAMS"
40 FOR X = 1 TO 50
50 PRINT "THIS IS A TEST"
60 NEXT X
70 PRINT DS; "CLOSE"
80 GOTO 20
    
```

Logic Probe Display

L = Low

H = High

P = Pulse

* = Open (No light On)

- (1) Probe indicates H if diskette is write protected or Head Position Motor is operating.
- (2) Probe indicates P when Head Position Motor is operating.
- (3) Readings taken after pressing Space Bar on keyboard.
- (4) Probe indicates H when any key pressed except Control, Shift, Open Apple, Closed Apple and Reset keys.
- (5) Probe indicates H when Caps Lock key is up.
- (6) Probe indicates P when any key pressed except Control, Shift, Open Apple, Closed Apple and Reset keys.
- (7) Probe indicates P when Computer is in "Basic" mode.
- (8) Probe indicates L when the Control key is pressed.

Voltages, logic readings and waveforms taken on the Disk Drive while running the following program (with DOS 3.3) and during the period when the Head is not moving unless noted. An initialized diskette, with DOS 3.3 only (no other programs or data), was used in the Disk Drive. Note: Put the Caps Lock key in the down position.

MISCELLANEOUS ADJUSTMENTS

WARNING

It is possible for a defective Disk Drive to write on or erase information on a diskette even if the diskette has been write protected. Check a questionable Disk Drive by first using a diskette that contains programs that have been duplicated on another diskette. Do not leave the alignment diskette in the drive while checking voltages and waveforms unless so instructed in the alignment procedures. The test equipment may cause the disk drive circuits to erase sections of the alignment diskette even when the diskette is write protected with a write protect tab.

EQUIPMENT

Use a Disk Drive test program or Disk Drive Tester capable of turning the Disk Drive On, putting the Disk Drive in Read mode and moving the Head to any track. Use a Dysan Analog Alignment Diskette 208-10 when an alignment diskette is specified in the alignment procedures. Note: The Dysan Alignment Diskette has only alignment patterns on it and does not contain any alignment programs.

MOTOR SPEED ADJUSTMENT

Run the following program to keep the Disk Drive running continuously.

```
10 X = PEEK (- 16151): X = PEEK (- 16150)
```

Insert a diskette into the Disk Drive and close the door. Set the Disk Drive on its side so the strobe pattern on the spindle pulley is visible. Use a fluorescent light to view the strobe pattern. Use the outside pattern if a 60 cycle light is being used or the inside pattern if a 50 cycle light is being used. Adjust the Speed Control (VR1) until the strobe pattern appears to stand still.

RADIAL ALIGNMENT

Connect the channel 1 input of a scope to TP8 and the channel 2 input to TP9. Set the scope sweep time to 20mSec, vertical inputs to .2V range and AC input, mode switch to Add mode and one channel inverted. Insert the Alignment Diskette into the Disk Drive and close the door. Turn the Disk Drive On and set the Head to track 16. Observe the two lobes that appear on the scope (trigger the scope on the index burst that occurs at the beginning of the two lobes). The amplitude of the lobes should be within 70% of each other (See Figure 1). If the lobe amplitudes are not within 70% of each other, loosen the two phillips screws holding the Head Position Motor (M2) and rotate the motor until the two lobes are equal or within 70% of each other. Retighten the Head Position Motor screws and recheck the radial alignment by stepping the Head to track 39 and back to track 16, then step the Head to track 00 and back to track 16, checking the two lobes for proper amplitudes each time the Head is on track 16.

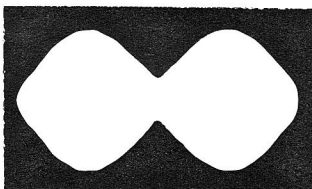


Figure 1

READ CIRCUIT ADJUSTMENT

Connect the channel 1 input of a scope to TP5 and channel 2 input to TP7. Set the scope to Add mode, sweep time to 2 μ Sec vertical inputs to 2V range and trigger on channel 2. Turn the Disk Drive On and set the Drive to Read mode with the Head on Track 00 (to read the 125kHz pattern on the Alignment Diskette). Insert the Alignment Diskette in the Drive and close the door. Adjust the Threshold Control (R28) for MINIMUM jitter on the leading edges of the pulses and adjust the Pulse Width Duration Control (R33) for MINIMUM crossover distortion on the trailing edges of the pulses. (See Figures 2 and 3).

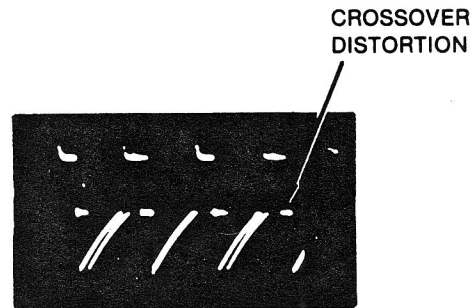


FIGURE 2

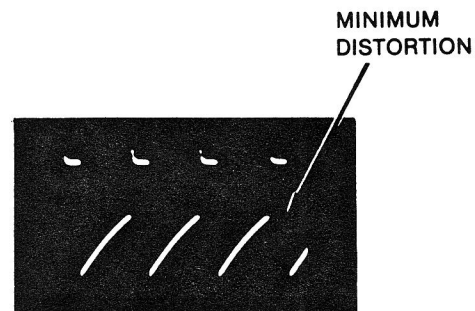


FIGURE 3

Note: The following procedures can also be used for the Read Circuit adjustment.

Turn the Computer On and type in and run the following Basic program.

```
10 X = PEEK (- 16151)
20 X = PEEK (- 16150)
30 X = PEEK (- 16148)
40 X = PEEK (- 16146)
```

The program will turn the Disk Drive On in Read mode. Insert the Alignment diskette into the Disk Drive and close the door. Manually set the Head back to track 00. Hook up the scope and adjust Controls R28 and R33 using the instructions given in the first procedure.

MISCELLANEOUS ADJUSTMENTS (Continued)

AZIMUTH CHECK

Connect the channel 1 input of a scope to TP8 and the channel 2 input to TP9. Set the sweep time to .5mSec range, the vertical inputs to the .2V range and AC input and set the mode switch to add mode with one channel inverted. Insert the Alignment diskette into the Disk Drive and close the door. Turn the Disk Drive On and set the Head to track 34. A pattern of four vertical bars should appear on the scope (trigger the scope on the index burst that occurs at the beginning of the bars). The correct azimuth is indicated when the two inside bars are longer than the two outside bars. See Figure 4.

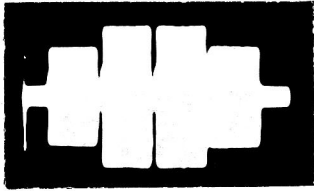


Figure 4

TRACK 00 STOP ADJUSTMENT

Connect the input of a scope to TP9. Set the scope vertical input to the .5V range, AC input and the sweep time to 10 μ Sec. Insert the Alignment Diskette into the Disk Drive and close the door. Turn the Disk Drive On and set the Head to track 00. Verify that the Head is on track 00 by checking for a .5V peak to peak, 125kHz signal at TP9. Loosen the phillips screw holding the track 00 stop. Adjust the Stop for a clearance of .005" between the Stop and the raised cam and retighten the track 00 Stop screw. See Figure 5.

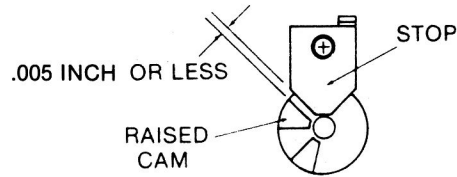
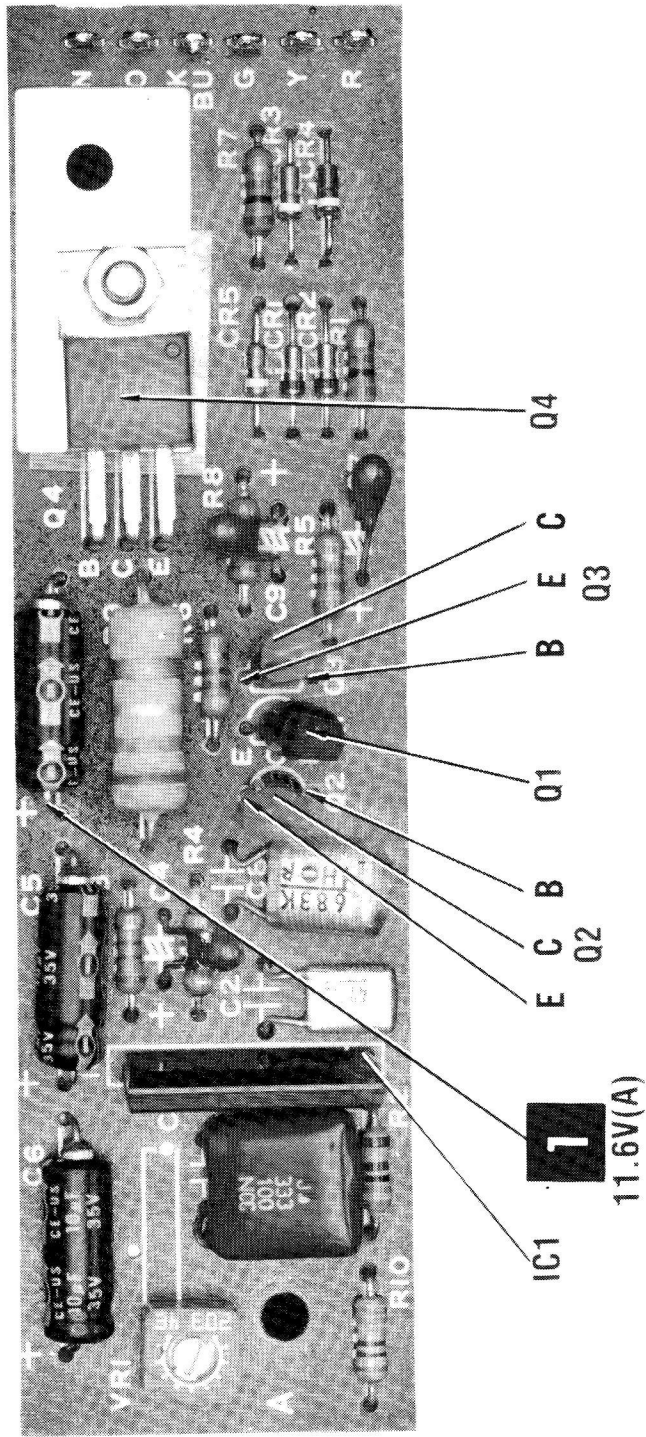
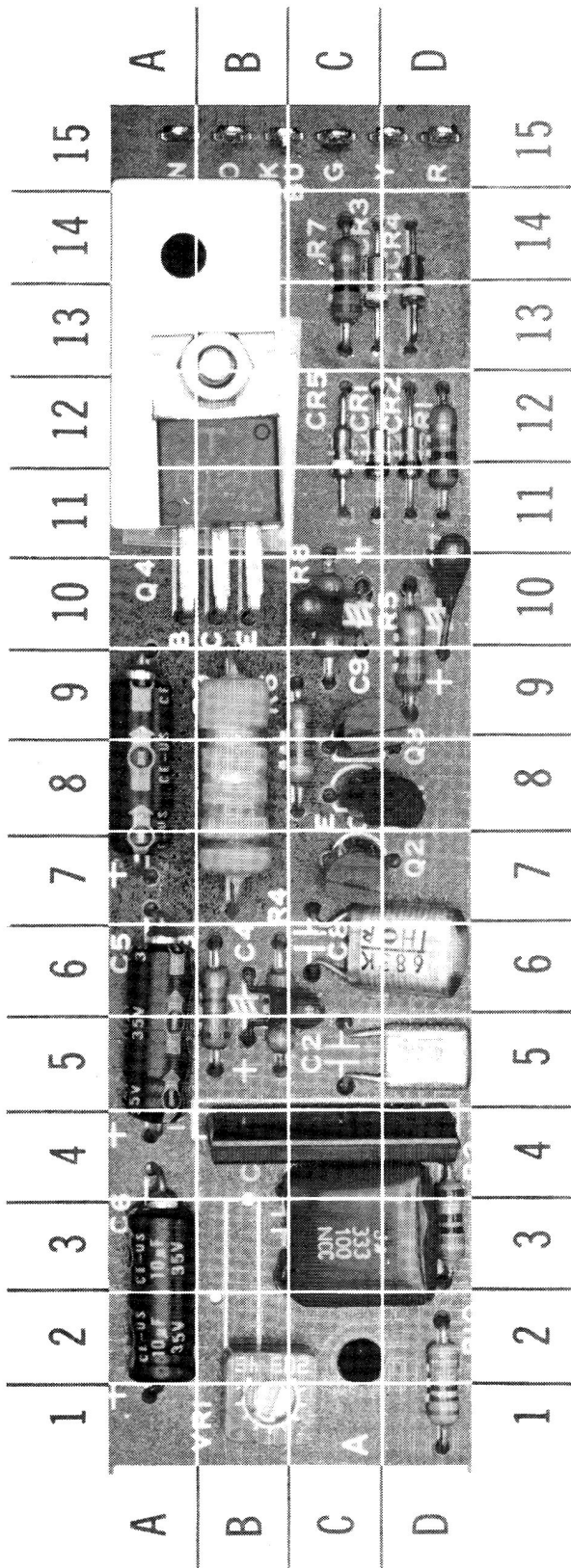


Figure 5

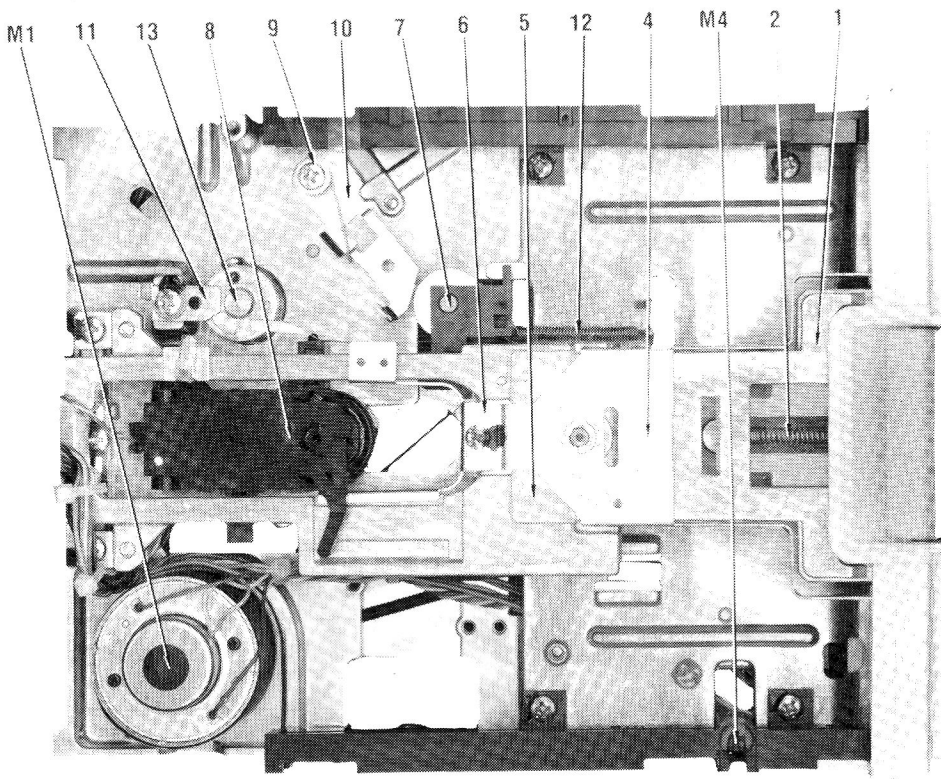


ARROWS ON IC'S INDICATE PIN 1 UNLESS NOTED.

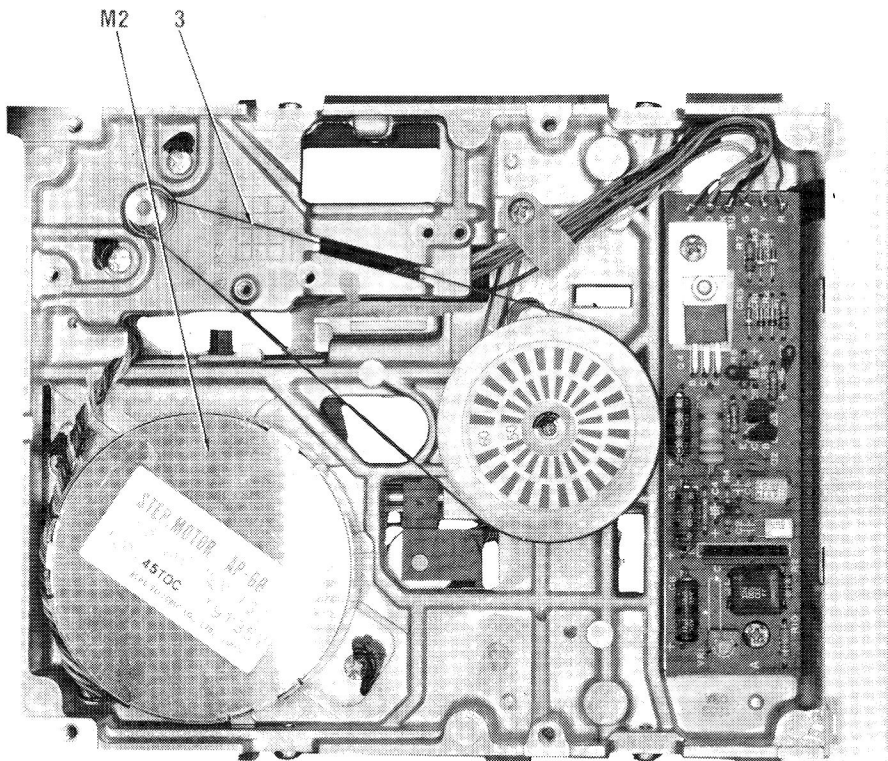


DISK DRIVE MOTOR SPEED CONTROL BOARD GridTrace LOCATION GUIDE

C1	A-8	C8	IC1	C-4	R3	B-6	R10	D-2
C2	D-5	C9	Q1	C-8	R4	B-6	VR1	B-1
C3	C-3	CR1	Q2	C-7	R5	D-10		
C4	B-6	CR2	Q3	C-9	R6	C-8		
C5	A-6	CR3	Q4	B-11	R7	C-14		
C6	A-3	CR4	R1	D-12	R8	C-8		
C7	D-10	CR5	R2	D-3	R9	B-8		



MECHANICAL-TOP VIEW



MECHANICAL-BOTTOM VIEW

**KEYBOARD, SYSTEM BOARD
POWER SUPPLY**

See Folder CSCS7

DISK DRIVE

See Folder CSCS7-A

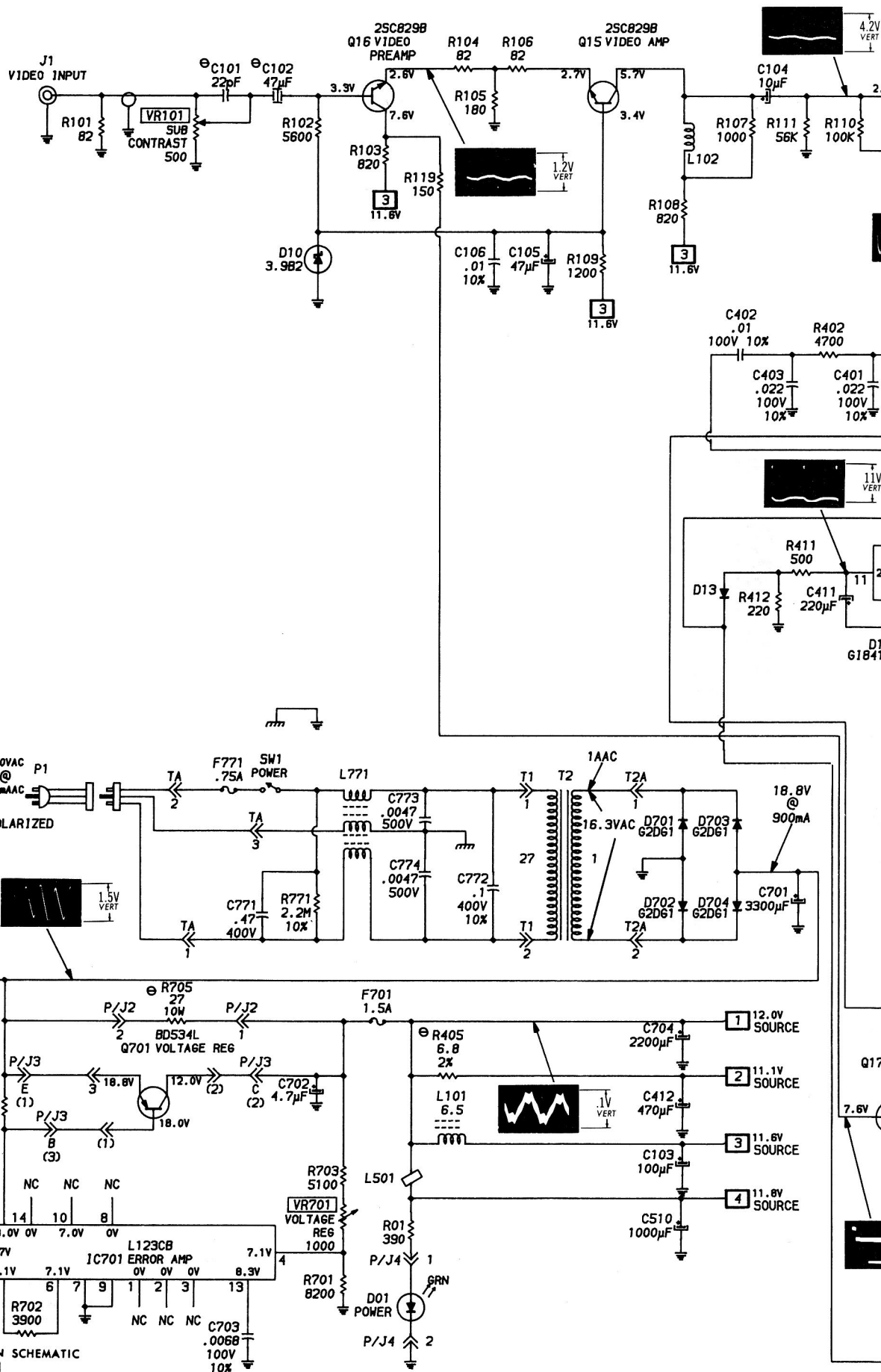
INDEX

	Page		Page
Disassembly Instructions	13	Photos (Continued)	
GridTrace Location Guide		Monitor Power Supply Board	12
Monitor Board	4	Resistance Measurements	2
Miscellaneous Adjustments	3	Schematics	
Parts List		Terminal Guides and Notes	2
Monitor	6,7,8	Monitor	2
Photos		Servicing in the Field	13
Cabinet View	13	Troubleshooting	5
CRT Socket Board	11	Troubleshooting Aid	4
Monitor Board	9,10		

Preface

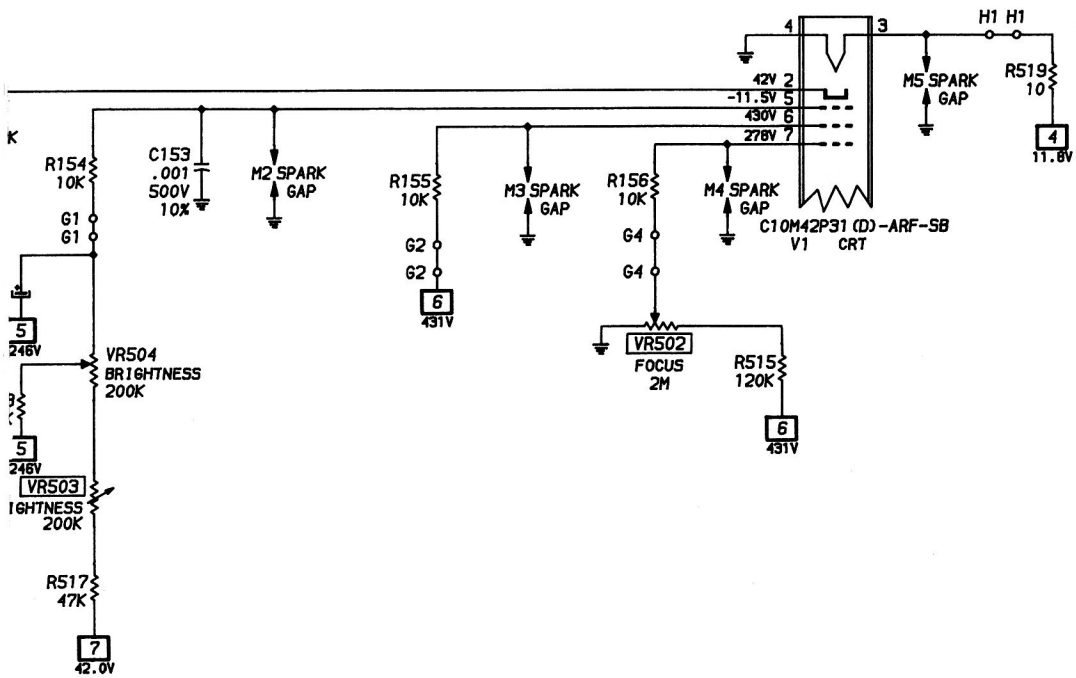
This manual is comprised of loose pages that were folded in half & then numbered to produce a set of 4 loose-leaf booklets. As a result, graphics are split and halves do not appear on consecutive pages. For example, one graphic's left half was page 26 and the right half was page 3 of the first booklet!

Because of this, the manual is presented in page order, and then some of the split graphics (which spanned 2 or more pages) follow again but in proper sequence at the end of the booklet for easy viewing.



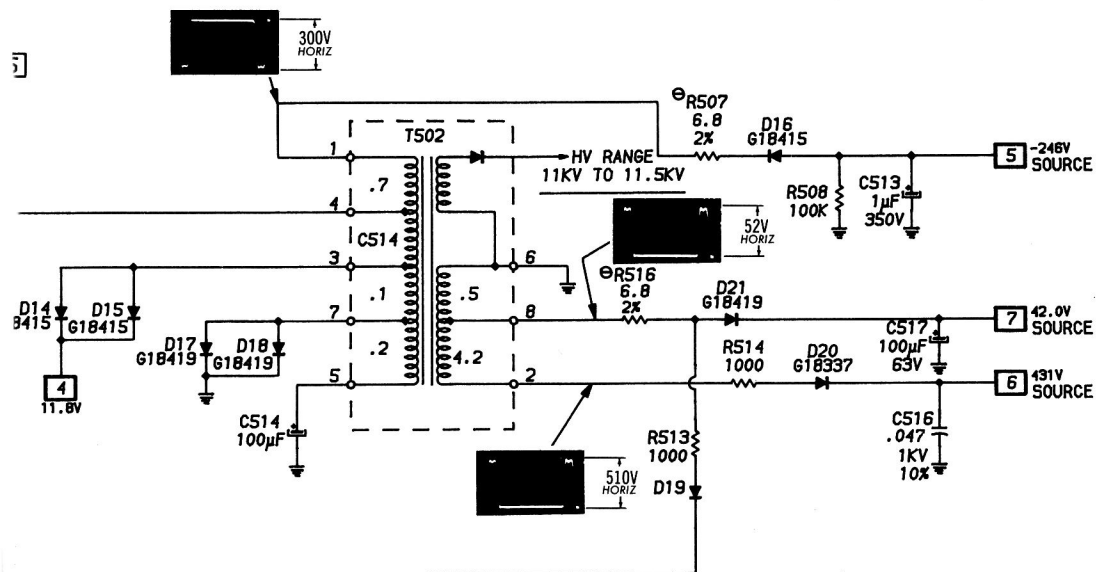
A PHOTOFACIT STANDARD NOTATION SCHEMATIC
WITH **CIRCUITRACE**

© Howard W. Sams & Co., Inc. 1985

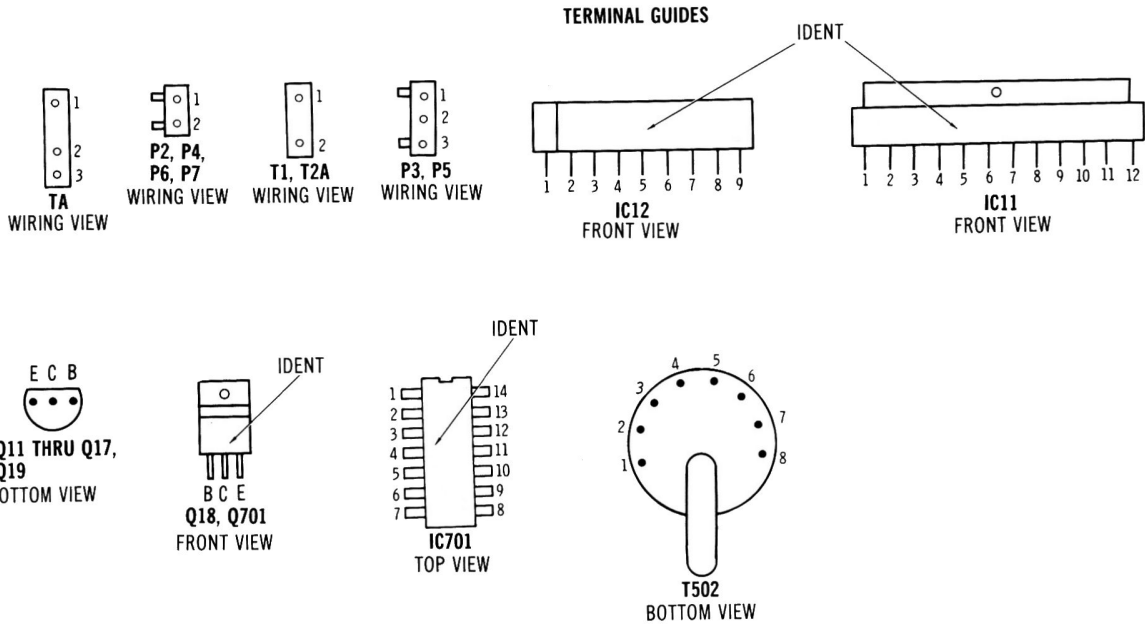


FOR TERMINAL GUIDES AND NOTES
SEE PAGE 2

PHOTO CIRCUITRACE = 11
SCHEMATIC CIRCUITRACE = 11



APPLE
MONITOR MODEL IIc



RESISTANCE MEASUREMENTS

MEASUREMENTS TAKEN WITH LOW POWER OHMS METER														
ITEM	PIN 1	PIN 2	PIN 3	PIN 4	PIN 5	PIN 6	PIN 7	PIN 8	PIN 9	PIN 10	PIN 11	PIN 12	PIN 13	PIN 14
IC11	26K	82K	8	7400	10.3K	552	0	10.3K(1)	18K(1)	10.1K	715	45		
IC12	20.8K	INF	18.7K	30.5K	0	105	50	INF	2960					
IC701	INF	INF	INF	3350	INF	INF	0	INF	0	INF	1061	65	INF	INF
V1	470K	450K	28	0	2.2M	2M	1.4M							
ITEM	E	B	C		ITEM	E	B	C		ITEM	E	B	C	
Q11	387	68K	44		Q16	260	6760	858						
Q12	485	15	68K		Q17	2190	1008	44						
Q13	266	36K	44		Q18	INF	INF	38						
Q14	3300	INF	44		Q19	47	434	INF						
Q15	259	1233	861		Q701	65	1061	38						

(1) Reading may vary according to the condition of the electrolytic in the circuit.

SCHEMATIC NOTES

- *— Circuitry not used in some versions
- Circuitry used in some versions
- See parts list
- ⊕ Ground
- ⏏ Chassis

Waveforms and voltages taken from ground, unless noted otherwise

Voltages, logic readings and waveforms taken in Power Up mode, Caps Lock and 80/40 Column keys down, Keyboard Switch up, no diskette in the Disk Drive "Apple IIc" and "Check Disk Drive" displayed on the Monitor screen.

Waveforms taken with triggered scope and Sweep/Time switch in Calibrate position, scope input set for DC coupling on 0 reference voltage waveforms. Switch to AC input to view waveforms after DC reference is measured

when necessary. Each waveform is 7 cm. width with DC reference voltage given at the bottom line of each waveform.

Time in μ sec. per cm, given with p-p reading at the end of each waveform.

Item numbers in rectangles appear in the alignment/adjustment instructions.

Supply voltages maintained as shown at input.

Controls adjusted for normal operation.

Terminal identification may not be found on unit.

Capacitors are 50 volts or less, 5% unless noted.

Electrolytic capacitors are 50 volts or less, 20% unless noted.

Resistors are $\frac{1}{2}W$ or less, 5% unless noted.

Value in () used in some versions.

MISCELLANEOUS ADJUSTMENTS

ALIGNMENT TOOLS

L503 5000, 5009, 8276
L505 9440, 8282, 8606

GC ELECTRONICS

NOTE: Pattern generator with 1Vp-p into 75 ohms (VTR Standard) output used with appropriate pattern.

INITIAL MONITOR TEST

Connect a crosshatch generator to the Video In Jack. Turn the Monitor On and adjust the Brightness and Contrast controls for the best display. Check the adjustment of the Vert Hold, Horiz Hold, Vert Lin, Vert Size and Focus controls. If any of these controls produce erratic operation, clean that control with contact cleaner and recheck.

ADJUSTMENTS

NOTE: Connect a crosshatch generator to the Video In Jack for the following adjustments.

FOCUS ADJUSTMENT

Adjust the Focus Control (VR502) for sharp, well defined lines on the display.

VERT AND HORIZ HOLD ADJUSTMENT

Adjust the Vert Hold Control (VR401) and Horiz Hold Control (VR501) for the most stable display.

VERT SIZE ADJUSTMENT

Adjust the Vert Size Control (VR403) for the desired height on the display.

VERT LIN ADJUSTMENT

Adjust the Vert Lin Control (VR402) for even spacing between the vertical lines on the display.

VOLTAGE REGULATOR ADJUSTMENT

Connect a voltmeter to the collector of Voltage Regulator Transistor (Q701). Adjust the Voltage Regulator Control (VR701) for 12.0V.

SUB BRIGHTNESS ADJUSTMENT

Connect a crosshatch generator to the Video In Jack. Set the Brightness and Contrast Controls to Maximum clockwise position.

Adjust the Sub Brightness Control (VR503) for Maximum brightness without retrace lines.

CENTERING ADJUSTMENT

Center the CRT display by adjusting the two magnetic centering rings located on the deflection yoke rear cover.

HORIZ LIN ADJUSTMENT

Adjust the Horiz Lin Coil (L503) for even spacing between the horizontal lines on the display.

WIDTH ADJUSTMENT

Adjust the Width Coil (L505) for the desired width on the display.

SUB CONTRAST

Set the Brightness and Contrast Controls to Maximum clockwise position. Adjust the Sub Contrast Control for best display with no distortion.

CSCS7-B
APPLE
MODEL IIC

TROUBLESHOOTING AID

Note: Waveforms taken with triggered scope, Keyed-Rainbow generator. Schematic voltages measured with digital meter, no signal. Controls adjusted for normal operation.

PICTURE OR SOUND

NO PIC, NO RASTER: Check AC power supply, sources generated from Horizontal Output Transformer (T502) and Video circuit. Refer to "Troubleshooting" Power Supply, Video and Horizontal circuits.

NO PIC, HAS RASTER: Refer to "Troubleshooting" Video circuit.

LOW OR EXCESSIVE BRIGHTNESS: Check Video and Luminance circuits. Refer to "Troubleshooting" Video circuit.

SWEEP

NO RASTER: Check HV Rectifier, Rectifiers D20 and D21 and Horizontal circuit. Refer to "Troubleshooting" Horizontal circuit.

NO VERT DEFLECTION: Refer to "Troubleshooting" Vertical circuit.

POOR VERT LIN OR FOLDOVER: Refer to "Troubleshooting" Vertical circuit.

POOR HORIZ LIN OR FOLDOVER: Refer to "Troubleshooting" Horizontal circuit.

NARROW PICTURE: Refer to "Troubleshooting" Horizontal circuit.

VERT OFF FREQUENCY: Refer to "Troubleshooting" Vertical circuit.

HORIZ OFF FREQUENCY: Refer to "Troubleshooting" Horizontal circuit.

SYNC

NO VERT/HORIZ SYNC: Refer to "Troubleshooting" Sync circuit.

MONITOR BOARD GridTrace LOCATION GUIDE

C101	F-3	C516	I-13	P4	A-11	R403	I-5	VR501	G-4
C102	E-4	C517	F-8	P5	A-10	R404	H-7	VR502	A-12
C103	C-4	C518	J-9	P6	H-8	R405	H-5	VR503	H-9
C104	B-5	C701	A-3	P7	A-11	R406	I-5	VR504	K-10
C105	C-6	C702	D-1	Q11	A-9	R407	J-7	VR701	D-1
C106	D-6	C703	A-2	Q12	B-8	R408	H-7		
C107	A-7	C704	G-3	Q13	A-5	R409	I-8		
C108	A-9	D10	C-7	Q14	C-6	R410	G-7		
C109	B-7	D11	C-8	Q15	C-5	R411	G-7		
C110	B-9	D12	G-6	Q16	E-3	R412	F-7		
C111	C-4	D13	F-8	Q17	D-4	R413	H-8		
C401	I-8	D14	F-13	Q18	D-12	R501	D-7		
C402	I-8	D15	F-13	R01	A-10	R502	F-4		
C403	J-7	D16	J-11	R101	J-12	R503	F-5		
C404	I-6	D17	G-9	R102	D-4	R504	F-5		
C405	I-5	D18	G-9	R103	E-4	R505	E-7		
C406	J-6	D19	F-8	R104	C-4	R506	D-9		
C407	I-7	D20	I-13	R105	C-5	R507	I-12		
C408	H-6	D21	H-9	R106	C-5	R508	I-20		
C409	G-8	D22	C-13	R107	B-4	R510	C-12		
C410	H-8	D701	E-2	R108	B-4	R511	D-11		
C411	H-5	D702	F-2	R109	C-5	R512	C-13		
C412	G-5	D703	F-2	R110	A-6	R513	F-8		
C413	G-6	D704	F-1	R111	B-6	R514	I-12		
C501	D-6	F701	H-3	R112	A-6	R515	G-13		
C502	D-7	IC11	H-6	R113	A-9	R516	G-9		
C503	D-7	IC12	E-5	R114	B-9	R517	H-9		
C504	E-5	IC701	B-2	R115	B-7	R518	J-10		
C505	E-5	J1	K-11	R116	B-6	R519	D-9		
C506	F-5	L101	C-3	R117	C-7	R701	B-1		
C507	E-5	L102	A-5	R118	B-8	R702	C-1		
C508	F-7	L103	B-8	R119	D-4	R703	E-1		
C509	E-6	L501	A-4	R120	C-4	R704	C-2		
C510	D-10	L502	E-9	R121	D-5	T2A	G-1		
C511	E-12	L503	B-13	R123	B-10	VR101	F-4		
C513	I-10	L505	C-11	R124	B-7	VR401	K-6		
C514	B-10	P2	G-2	R401	I-8	VR402	I-4		
C515	A-11	P3	D-2	R402	J-8	VR403	K-8		

TROUBLESHOOTING

POWER SUPPLY

Check the AC Line Fuse (F771) and the DC Fuse (F701). If Fuse F771 is open, check Diodes D701 thru D704, Capacitor C771 and Electrolytic C701 for possible shorts. Also check Power Transformer (T2) for shorted windings. If Fuse F701 is open, check Electrolytics C704 and C412 for shorts. Also check Electrolytic C514 in the Horizontal Sweep Circuit for a possible short. If both fuses are good, check for 18.8V DC at the emitter of Voltage Regulator Transistor (Q701). If 18.8V is missing at the emitter of Q701, check for an open Diode D701 thru D704, an open Power Transformer T2 winding or an open Line Choke L771. Also check Power Switch SW1 and the power cord.

If the 18.8V is present at the emitter of Q701, check for 12V at the collector of Q701. If the voltage is missing or incorrect at the collector of Regulator Transistor Q701, check Transistor Q701, Resistor R705, Error Amplifier (IC701) and associated components. If 12V is present at the Collector of Q701, check Resistor R405 and Choke L101.

HORIZONTAL

If there is no high voltage, inject a horizontal drive signal at the base of Horizontal Output Transistor (Q18). If the high voltage returns, check Horizontal Driver Transformer (T501), Horizontal Processor (IC12), Resistors R505 and R506. Also check other components associated with the Horizontal Driver circuit and the Horizontal Processor IC. If the high voltage does not return when a horizontal drive signal is injected at the base of Horizontal Output Transistor (Q18), check Q18, Horizontal Output Transformer (T502), Deflection Yoke (DY1) and Diodes D14, D15, D17 and D18. Also check Horizontal Linearity Coil (L503), Width Coil (L505), Capacitors C511 and C516, Electrolytics C513, C514, C515, and C517. Check for possible shorts at the outputs of Diodes D20 and D21 that could load down the Horizontal Output Transformer.

Poor horizontal linearity or foldover problems may be caused by Capacitor C511, Electrolytics C514 or C515, Deflection Yoke DY1, Horizontal Linearity Coil L503 or Width Coil L505. Also check Resistor R510, R511 and R512 and Diode D22. If the horizontal sweep is off frequency, check the adjustment of the Horizontal Hold Control (VR501). If horizontal sync cannot be obtained with the Horizontal Hold Control, check the Horizontal Processor (IC12) and its associated components. If the monitor has a narrow raster, check the 11.8V source in the power supply. If the 11.8V source is normal, check the waveform at the base of the Horizontal Output Transistor (Q18). If the drive waveform at the base of Q18 has insufficient amplitude, check the voltages on the Horizontal Processor IC12. Also check Capacitors C501, C502, C503 and C509 in the Horizontal Drive circuit. If the waveform at the base of the Horizontal Output Transistor is normal, check Resistors R510 and R511, Coils L503 and L505 and Electrolytic C515 in the horizontal yoke circuit.

VIDEO

Inject a video signal at the Video Input Jack (J1) and check the waveform at the emitter of the Video Pre-amplifier Transistor (Q16). If the waveform is missing at the emitter of Q16, check Resistor R103, Capacitor C101, Electrolytic C102 and Transistor Q16. If the waveform is present at the emitter of Q16, check the waveform at the base of Video

Amplifier Transistor (Q13). If the waveform is missing at the base of Q13, check Video Amplifier Transistor (Q15), Resistors R104, R106, R108 and R109 and Electrolytic C104. If the waveform is present at the base of Transistor Q13, check the waveform at the base of Video Driver Transistor (Q11). If the video signal is missing at the base of Q11, check Transistor Q13, Resistors R110, R112 and R113, Electrolytics C107 and C108, Contrast Control (VR1) and Horizontal Blanking Transistor (Q12).

If the video waveform is present at the base of Q11, check the waveform at the base of Video Output Transistor (Q19) on the CRT Board. If the waveform is missing on the base of Q19, check Transistor Q11 and Resistor R114. If the waveform is present at the base of Q19, check the waveform at pin 2 of the CRT. If the video signal is missing at pin 2 of the CRT, check Transistor Q19, Resistors R151, R153 and R157, Coil L151, and Electrolytic C151. If the video signal is present at pin 2 of the CRT, check the voltages on pins 5, 6 and 7 of the CRT. If all voltages on the CRT are normal, check the CRT. If the monitor has low brightness or excessive brightness, check the voltages on Transistors Q11 and Q19.

SYNC

If there is no horizontal or vertical sync, check the composite video waveform at pin 1 of Horizontal Processor (IC12). If the waveform is missing at pin 1 of IC12, check for the composite video signal at the base of Sync Amplifier Transistor (Q17). If the composite video signal is present at the base of Q17, check Transistor Q17, Resistors R120 and R121 and Electrolytic C111. If the composite video signal is missing at the base of Q17, check Resistor R119 and Transistor Q16. If the composite signal is present at pin 1 of the Horizontal Processor IC12, check IC12 by substitution.

If there is no horizontal sync, check Horizontal Processor IC12 and its associated components. If there is no vertical sync, check for vertical sync pulses at pin 2 of IC12. If the vertical sync pulses are missing at pin 2 of IC12, check IC12. If there are vertical pulses present at pin 2 of IC12, check for vertical sync pulses at pin 1 of the Vertical Processor (IC11). If the vertical sync pulses at pin 1 of IC11 are missing or have low amplitude, check Resistors R401 and R402, Capacitors C401, C402 and C403. If the vertical sync pulses are normal at pin 1 of Vertical Processor IC11, check IC11 by substitution.

VERTICAL

If there is no vertical sweep, check the waveform at pin 8 of Vertical Processor (IC11). If the vertical sweep signal is present at pin 8 of IC11, check Electrolytic C409 and Deflection Yoke (DY1). If the vertical sweep signal is missing at pin 8 of IC11, check Vertical Processor IC11 and associated components. Poor vertical linearity or foldover may be caused by a defective component in the vertical feedback circuit. Check Resistors R404, R406, R407, R408 and R409, Controls VR402 and VR403 and Electrolytics C404, C406, C407, C408, C411 and Capacitor C410. If the Vertical sweep is off frequency, check Vertical Hold Control (VR401), Resistor R403 and Electrolytic C404. If these components check good, check IC11 by substitution. If vertical retrace lines appear in the raster, check Resistors R411 and R412, Diodes D13 and D19 and Capacitor C152 on the CRT Board.

6 PARTS LIST AND DESCRIPTION

When ordering parts, state Model, Part Number, and Description

SEMICONDUCTORS (Select replacement for best results)

ITEM No.	TYPE No.	MFR. PART No.	REPLACEMENT DATA					
			GENERAL ELECTRIC PART No.	NTE PART No.	ECG PART No.	RCA PART No.	WORKMAN PART No.	ZENITH PART No.
D10	3.9B2		GEZD-3.9	NTE5007A	EGG5007A	SK3A9/5007A	WEP1407/5007	
D11	G18410							
D12	G18410							
D13	G18415							
D14 thru D16	G18415							
D17, D18	G18419							
D19	G18337							
D20	G18419							
D21	G18410							
D22	G18410							
D701 thru D704	G2DG1							
IC11	AN5763							
IC12	AN5753							
IC701	L123CB		GE1C-260	NTE923D	ECG923D	SK3165/923D	WEP2331/923D	221-Z9020
Q11	25C829B		GE-20*	NTE85	ECG85	SK3122	WEP829	121-Z9021
Q12	25C828R		GE-61	NTE85	ECG85	SK3931/90	WEP828	121-972
Q13	25C829B		GE-20*	NTE85	ECG85	SK3122	WEP829	121-Z9021
Q14	25C828R		GE-61	NTE85	ECG85	SK3931/90	WEP828	121-972
Q15, Q16	25C829B		GE-20*	NTE85	ECG85	SK3122	WEP829	121-Z9021
Q17	25C828R		GE-61	NTE85	ECG85	SK3931/90	WEP828	121-972
Q18	BU406			NTE379	ECG379	SK9085/379	WEP379/379	121-Z9111
Q19	25C1360A		GE-62	NTE199	ECG199	SK3152	WEP66/199	121-972
Q701	BD534L		GE-69A	NTE153	ECG153	SK3274/153	WEP746/153	121-988-03

* Lead configuration may vary from original.

WIRING DATA

High Voltage Lead	Use BELDEN No. 8869 (17 KV) or 8868 (24 KV)
Shielded Hook-up Wire	Use BELDEN No. 8401 or 8421 (Single-Conductor) 8208 (Two-Conductor)
General-use Unshielded Hook-up Wire	Use BELDEN No. 8529 (Solid) Available in 13 Colors 8522 (Stranded) Available in 13 Colors
75-Ohm Tuner Input Lead	Use BELDEN No. 8241

PARTS LIST AND DESCRIPTION (Continued)

When ordering parts, state Model, Part Number, and Description

ELECTROLYTIC CAPACITORS Items Not Listed Are Normally Available At Local Distributors.

ITEM No.	RATING	MFGR. PART No.
C102	47 16V NP	
C107	47 16V NP	

ITEM No.	RATING	MFGR. PART No.
C108	10 16V NP	
C515	4 25V NP	

CAPACITORS Items Not Listed Are Normally Available At Local Distributors.

ITEM No.	RATING	MFGR. PART No.
C101	22 N220 50V	

ITEM No.	RATING	MFGR. PART No.
C502	33 NPO 500V 5%	

CONTROLS (All wattages 1/2 watt, or less, unless listed)

ITEM NO.	FUNCTION	RESISTANCE	MFGR. PART NO.	NOTES
VR1	Contrast	500		
VR101	Sub Contrast	500		
VR401	Vert Hold	100K		
VR402	Vert Linearity	10K		
VR403	Vert Height (Size)	50K		
VR501	Horiz Hold	500		
VR502	Focus	2M		
VR503	Sub Brightness	200K		
VR504	Brightness	200K		
VR701	Voltage Regulator	1000		

APPLE
MODEL IIC

RESISTORS (Power and Special)

ITEM No.	RATING	REPLACEMENT DATA		
		MFGR. PART No.	NTE PART No.	WORKMAN PART No.
R404	6.8 2% 1.4W Metal Film		QW6D8	22-2246
R405	6.8 2% 1/4W Metal Film		QW6D8	
R408	1.1 2% 1/4W Metal Film		QW1D1	
R504	2700 2% 1/4W Metal Film		QW227	
R507	6.8 2% 1/4W Metal Film		QW6D8	
R516	6.8 2% 1/4W Metal Film		QW6D8	
R705	27 5% 10W WW		10W027	

PARTS LIST AND DESCRIPTION (Continued)

When ordering parts, state Model, Part Number, and Description

COILS (RF-IF)

ITEM No.	FUNCTION	MFGR. PART No.
L101	RF Choke	
L102	RF Choke	
L103	RF Choke	

ITEM No.	FUNCTION	MFGR. PART No.
L151	RF Choke	
L771	Line Filter	

COILS & TRANSFORMERS

ITEM No.	FUNCTION	MFGR. PART No.	OTHER IDENTIFICATION	NOTES
DY1	Yoke Horiz 156uH 90° Vert 9.9mH	TMD-2728(1)		
L502	Width	HW-440(1)		
L503	Horiz Linearity	2449-717-0109(1)		
T2	Power	2869-239-0104(1)		
T501	Driver	027-0108-DD156(1)		
T502	Horiz Output	TMF-2222(1)		

For SAFETY use only equivalent replacement part.
(1) Number on unit.

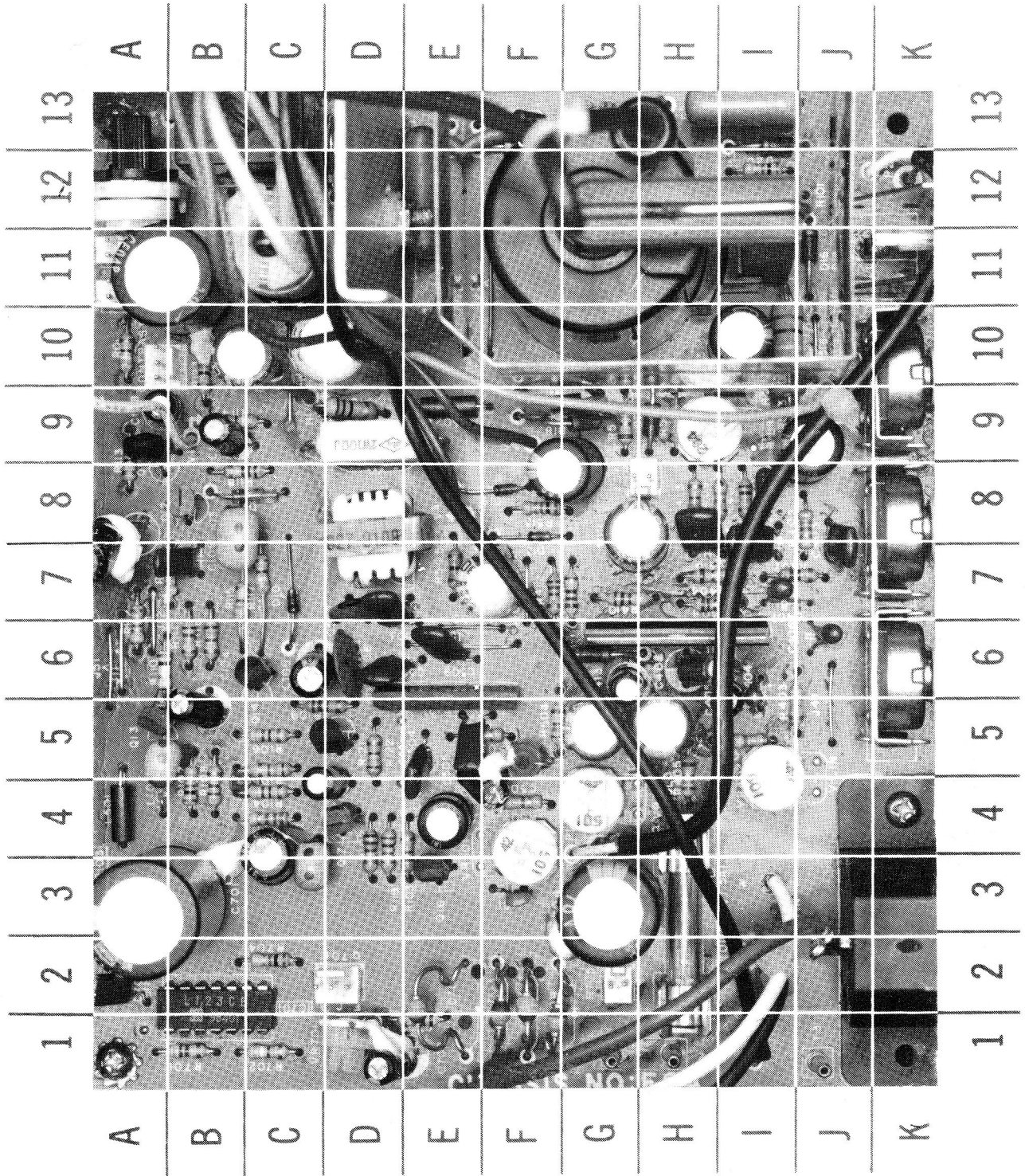
FUSE DEVICES

ITEM NO.	DESCRIPTION	MFGR. PART NO.		NOTES
		DEVICE	HOLDER	
F701	1.5A @ 250V Fast-Acting			
F771	750mA @ 250V Fast-Acting			

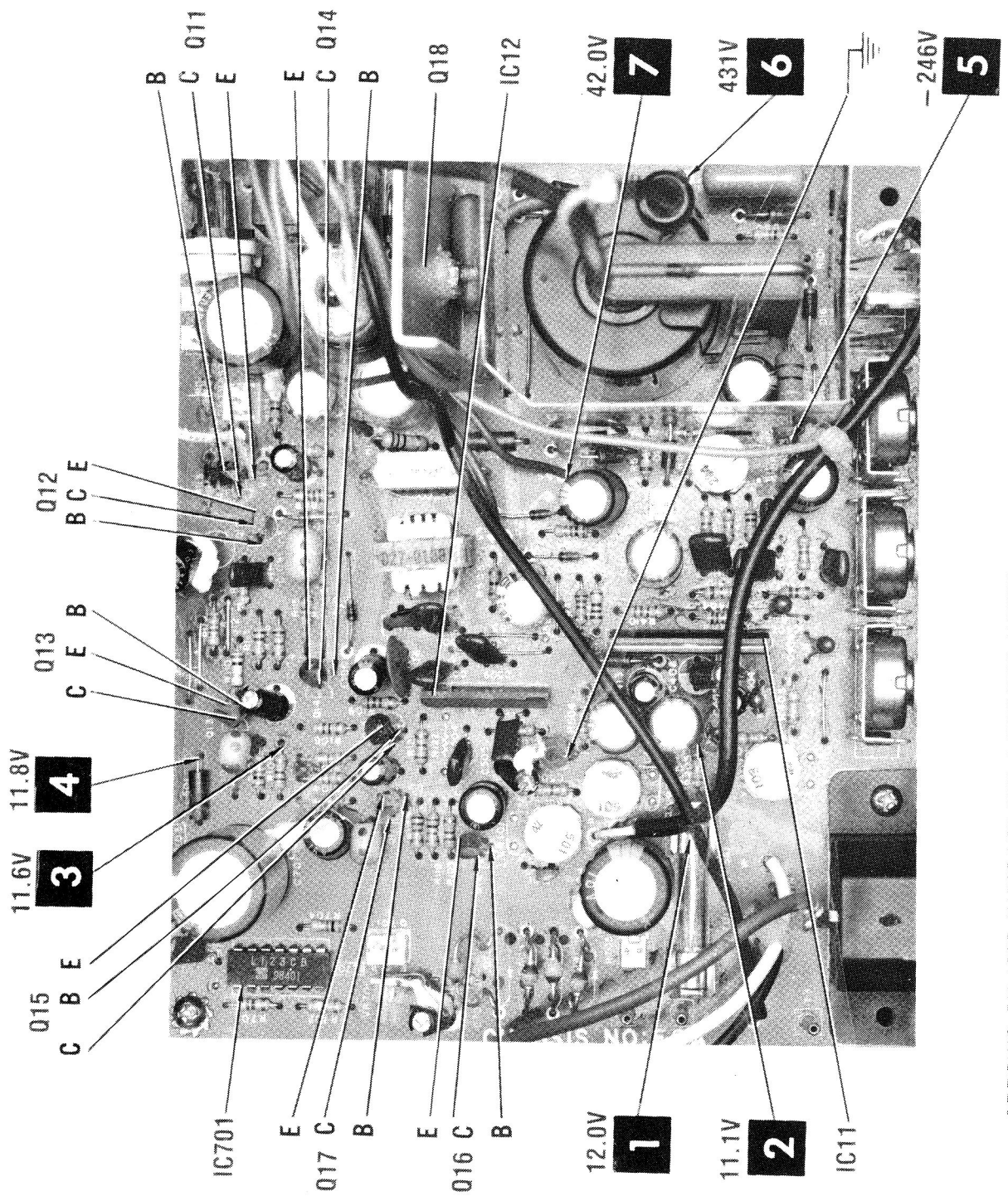
MISCELLANEOUS

ITEM No.	PART NAME	MFGR. PART No.	NOTES
D01	LED		Power, Green
L501	Ferrite Bead		
L502	Ferrite Bead		
M1	Spark Gap		
Thru			
M5			
P1	Cord		AC Power
SG1	Lamp		Neon
SW1	Switch		Power
V1	CRT		C10M42P31(D)-ARF-SB
	PC Board		Main
	PC Board		Power Supply
	PC Board		CRT Socket

CABINET & CABINET PARTS (When ordering specify model, chassis & color)

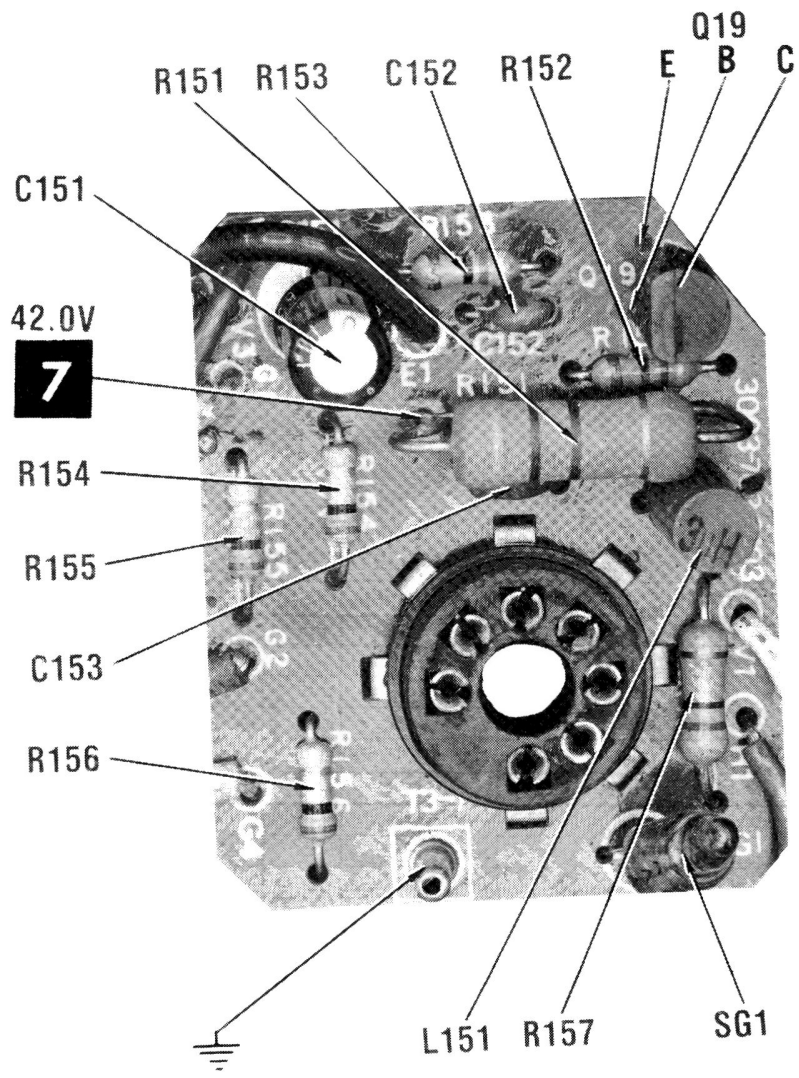


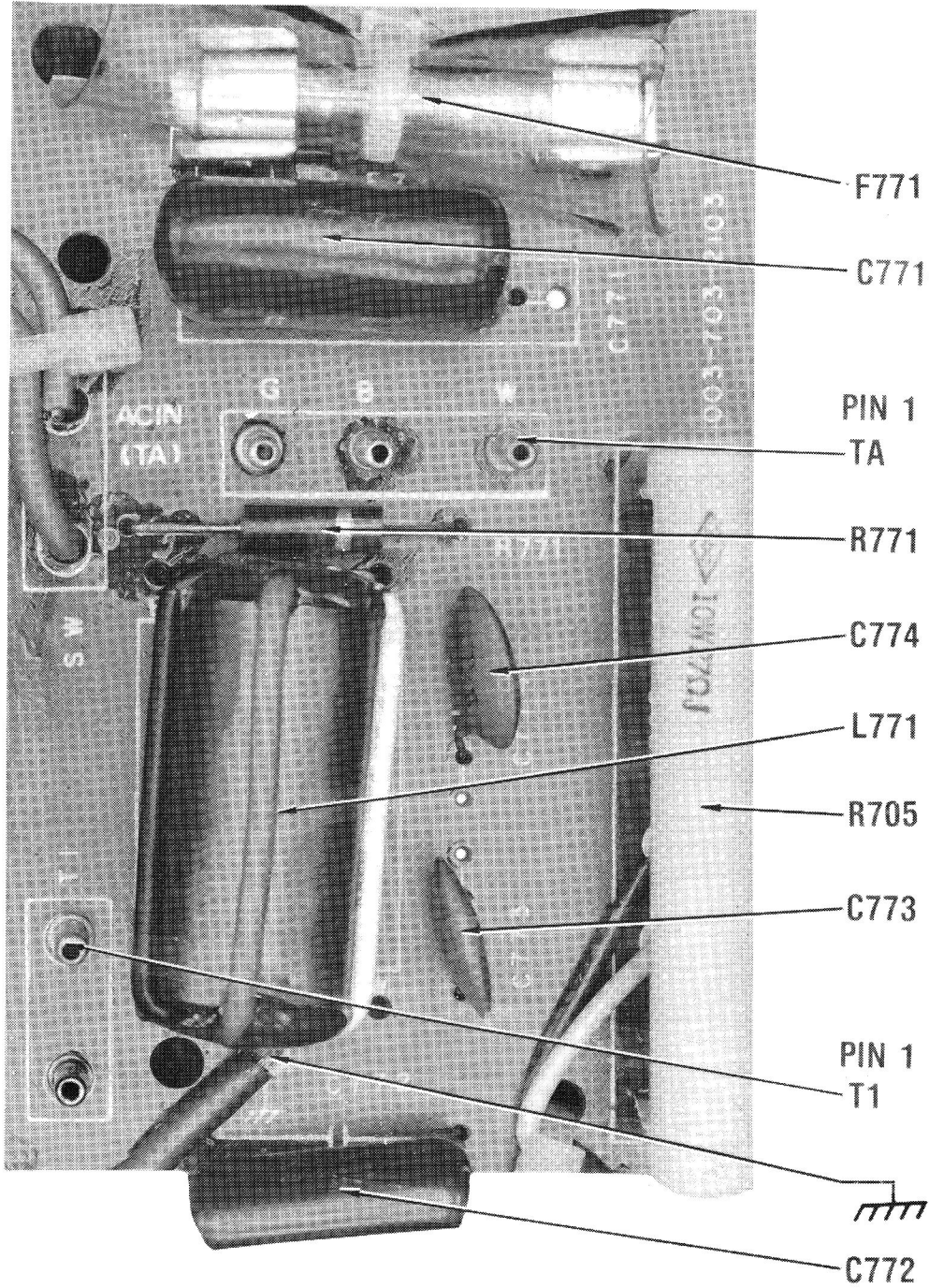
APPLE
MODEL IIc



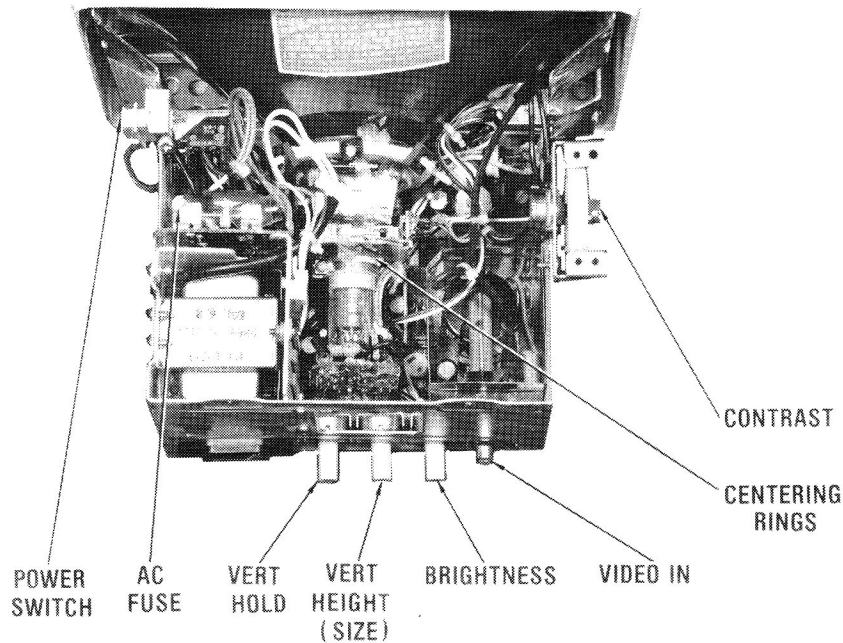
MONITOR BOARD

A Howard W. Sams **CIRCUITRACE**® Photo





MONITOR POWER SUPPLY BOARD



CABINET VIEW DISASSEMBLY INSTRUCTIONS

CABINET REMOVAL

Remove two screws holding rear panel. Pull the lower part of the rear panel out and lift up to remove panel. Remove two screws holding top vent panel and slide panel out. Remove two screws holding recessed handle section and remove handle. Remove two screws holding contrast control and two screws holding cabinet bottom and remove cabinet bottom. Remove four screws holding the front cabinet and remove front cabinet from CRT.

MAIN BOARD REMOVAL

Remove ten screws holding bottom shield and remove shield. Remove two screws from bottom of Main board and

two screws from sides of chassis holding front brackets to Main board. Pull the Main board down. Disconnect CRT socket and HV anode lead. Disconnect eight connectors from Main board and one connector from AC input board. Remove Main board.

CRT REMOVAL

Follow the "Cabinet Removal" procedure. Disconnect CRT socket, HV anode lead and the deflection yoke. Remove four screws holding CRT to cabinet front. Remove the CRT. Loosen and remove the deflection yoke from neck of CRT.

SERVICING IN THE FIELD

CRT IMPLOSION PROTECTION AND CLEANING

Implosion protection is an integral part of the picture tube, cleaning accomplished without CRT removal.

FUSE DEVICES

A 1.5-amp fuse is used for low-voltage power-supply protection.

A .75-amp fuse is used for AC line protection.

HORIZONTAL OSCILLATOR

Adjustment of the horizontal hold is accomplished by the proper setting of the Horizontal Hold Control.

WIDTH

The width may be varied by adjusting the width coil.

FOCUS

The focus may be varied by a focus control.

CENTERING

Centering is accomplished by proper adjustment of two magnetic rings located on the yoke rear cover.

PRELIMINARY SERVICE CHECKS

This data provides the user with a time-saving service tool which is designed for quick isolation and repair of Computer malfunctions.

Check all interconnecting cables for good connection and correct hookup before making service checks.

Disconnect all peripherals except the Monitor from the Computer to eliminate possible external malfunctions.

Replacement or repair of the Power Pack, Switching Power Supply Module, System Board, Keyboard, or Connectors may be necessary after the malfunction has been isolated.

TEST EQUIPMENT AND TOOLS

TEST EQUIPMENT

Digital Volt/Ohm Meter
Logic Probe

TOOLS

Low Wattage Soldering Iron
Desoldering Equipment
Head Cleaning Equipment
Switch Cleaner (non spray type)
Phillips Screwdriver
Flat Blade Screwdriver
IC Insertion and Removal Tools 24, 28 and 40 pin

REPLACEMENT PARTS AND DESCRIPTION

ITEM	PART NO.	DESCRIPTION	ITEM	PART NO.	DESCRIPTION
DISK DRIVE			POWER SUPPLY		
M1		Drive Motor	A2M4017		Power Pack
			AA7341B		Switching Power Supply
MONITOR			SYSTEM BOARD		
D701 thru			C57		Electrolytic, 1000µF 25V
D704		Rectifier Diode, G2GD1	C59		Capacitor, .1µF 50V
F701		Fuse, 1.5A @250V	CR1		Diode, 1N5400
F771		Fuse, 750mA @250V	F1		Fuse, 10A GFA Subminiature
Q18		Horizontal Output Transistor, BU406	SP1		Pigtail
Q701		DC Voltage Regulator Transistor, BD534L	SW1		Speaker
			UD18	342-0272-A	Power Switch
			UE4	342-0265-A	IC, ROM, 27128A
			UE14	344-0021	IC, Character Generator
			UE16	344-0011	IC, Input/Output Unit
			UE18		IC, Memory Management Unit
					IC, CPU, 65C02

SAMS™ Howard W. Sams & Co., Inc.
4300 West 62nd Street, P.O. Box 7092, Indianapolis, Indiana 46206 U.S.A.

The listing of any available replacement part herein does not constitute in any case a recommendation, warranty or guaranty by Howard W. Sams & Co., Inc., as to the quality and suitability of such replacement part. The numbers of these parts have been compiled from information furnished to Howard W. Sams & Co., Inc., by the manufacturers of the particular type of replacement part listed.

Reproduction or use, without express permission, of editorial or pictorial content, in any manner, is prohibited. No patent liability is assumed with respect to the use of the information contained herein.

© 1985 Howard W. Sams & Co., Inc.
4300 West 62nd Street, P.O. Box 7092, Indianapolis, Indiana 46206 U.S.A.
Printed in U.S. of America. 85CS14956 DATE 9-85

CSCS7
APPLE
MODEL IIc

CSCS7
APPLE
MODEL IIc

Preface

This manual is comprised of loose pages that were folded in half & then numbered to produce a set of 4 loose-leaf booklets. As a result, graphics are split and halves do not appear on consecutive pages. For example, one graphic's left half was page 26 and the right half was page 3 of the first booklet!

Because of this, the manual is presented in page order, and then some of the split graphics (which spanned 2 or more pages) follow again but in proper sequence at the end of the booklet for easy viewing.

PRELIMINARY SERVICE CHECKS (Continued)

SERVICE CHECKS

SEE INTERCONNECTING DIAGRAM AND PHOTOS TO MATCH THE NUMBER IN THE CIRCLES WITH THOSE IN THE FOLLOWING DATA FOR SERVICE CHECKS TO BE PERFORMED.

① COMPUTER DEAD

- (A) Unplug the Power Pack from the Computer and check for 18.2V between pins 2 and 6 of Power Pack Plug P1. If the 18.2V is missing, replace the Power Pack.
- (B) If 18.2V is present at Plug P1, plug the Power Pack back into the Computer. With the Computer turned Off, check for 17.5V at the junction of Fuse F1 and Capacitor C59. If the voltage is missing at the junction of F1 and C59, check Fuse F1.
- (C) If the fuse is open, unplug the Power Pack (P1) and check for a short to ground at the junction of F1 and C59. If there is a short, remove the Switching Power Supply Module and check the junction of F1 and C59 again for a short. If the short is removed, replace the Switching Power Supply Module.
- (D) If the short is still present after the Switching Power Supply is removed, check Diode CR1 and Capacitors C57 and C59 on the System board.
- (E) If 17.5V is present at the junction of F1 and C59, check Power Switch (S1). If the Power Switch checks good, replace the Switching Power Supply Module.
- (F) Check the CPU IC (UE18), the MON IC (UD18), the Memory Management Unit IC (UE16) and the Input/Output Unit IC (UE14) by substitution.

② VIDEO DISPLAY (Computer)

- (A) If there is no video, check Connector J4 on the System board and the video interface cable.
- (B) If there is no video or the characters displayed on the screen are not correct, check Character Generator ROM IC (UE4) by substitution.

③ VIDEO DISPLAY (Monitor)

- (A) If there is no video, check Connector J1 on the Monitor board and the video interface cable.
- (B) Turn the Monitor On and check for 120VAC across the primary winding of Power Transformer (T2). If 120VAC is missing, check Fuse F771, Power Switch (SW1) and Line Choke (L771). Also check for an open power cord.
- (C) If Fuse F771 is open, check for a shorted Diode (D701 thru D704) in the DC power supply on the Monitor board.

- (D) If 120VAC is present across the primary winding of Power Transformer T2, check for 12.0V on both sides of Fuse F701. If 12.0V is missing on one side of F701, check Fuse F701. If F701 is open, check for a possible short on the load side of the power supply. If no short is found, replace Fuse F701.
- (E) If 12.0V is missing from both sides of Fuse F701, check Power Transformer T2 for an open winding. Also check Diodes D701 thru D704 and Regulator Transistor Q701. Adjust B+ Control VR701 for 12.0V at Fuse F701.
- (F) Check the voltages on the CRT socket and on the HV anode. Make sure that the CRT socket is making good contact with the CRT pins, especially filament pins 3 and 4. If the CRT voltages are normal, check the CRT with a CRT tester.
- (G) If there is no high voltage at the HV anode, check Horizontal Output Transistor Q18.
- (H) Check the adjustment of the Sub-Brightness Control (VR503) and the Sub-Contrast Control (VR101).

④ KEYBOARD

- (A) If the keyboard is dead or one group of keys does not work, check Connector J9 on the System board and Connector J1 on the keyboard. Also check the keyboard interface cable.
- (B) If one key does not work or is erratic, clean the keyswitches with contact cleaner. Use an ohmmeter to check for an open keyswitch.
- (C) If the wrong character appears on the Monitor screen when a key is pressed, check the Character Generator ROM IC (UE4) by substitution.

⑤ DISK DRIVE

WARNING

It is possible for a defective Disk Drive to write on or erase information on a diskette even when the diskette is write protected. Check a questionable Disk Drive by first using a diskette that contains programs that have been duplicated on another diskette.

- (A) Disk Drive is dead. Check Connector J1 on the Disk Drive and Connector J8 on the System board. Also check the Disk Drive interface cable.
- (B) Check for 11.5V at pin 13 of Connector J1. 5.0V at pin 11 of Connector J1, and -11.25V at pin 9 of Connector J1. Also check for a logic Low reading at pin 14 of Connector J1. If the voltages and logic reading are normal, replace or repair the Disk Drive Analog board.

PRELIMINARY SERVICE CHECKS (Continued)

SERVICE CHECKS (Continued)

- (C) Disk Drive operation is erratic. Check Connector J8 on the System board and Connector J1 on the Disk Drive.
- (D) Clean the head and check the Spindle Speed Adjustment (VR1), see "Miscellaneous Adjustments".
- (E) Will not write or read. Check Connector J3 on the Disk Drive Analog board for good connections. It may be necessary to repair or replace the Disk Drive Analog board.
- (F) Writes on a write protected diskette. Check for a shorted write protect sensor. It may be necessary to repair or replace the Disk Drive Analog board.
- (G) Disk Drive will not run. Check for a broken drive belt. Check for approximately 6.3V at the red Drive Motor lead on the Motor Speed Control board. If the voltage is present, check the Drive Motor by substitution. If the voltage is missing, it may be necessary to replace or repair the Motor Speed Control board.

6 INTERNAL SPEAKER

- (A) No sound. Check the Speaker (SP1), Connector J10 and the Earphone jack (J7) for good connections.

7 SERIAL PORT 1 (PRINTER PORT)

- (A) If Serial Port is not working, check Connector J6 for good connections.

8 SERIAL PORT 2 (MODEM)

- (A) If Serial Port 2 is not working, check Connector J12 for good connection.

9 GAME PADDLES

- (A) Type in and run the following Basic program to check the operation of the game paddle circuits.

```

10 HOME
20 PRINT "PADDLE 0", PDL(0)
30 PRINT "PADDLE 1", PDL(1)
40 FOR T = 1 TO 300: NEXT T
50 GOTO 10
    
```

This program scans the two paddles and displays the paddle numbers (0 and 1) on the Monitor screen along with a number that is read from each

paddle. The number that is read from each paddle should vary between 0 and 255 as the paddle is varied from MINIMUM to MAXIMUM.

- (B) If the paddles are not functioning, check Connector J3 for good connections.
- (C) Check for pulses at pin 6 of the Paddle IC (UF2) and at pin 7 of the MUX IC (UF3). If the pulses are missing at either pin 6 of UF2 or pin 7 of UF3, check the MMU (Memory Management Unit) IC (UE16) by substitution.
- (D) If the pulses are present at pin 6 of IC UF2 and pin 7 of IC 3F and the paddles are not functioning, check the IOU (Input/Output Unit) IC (UE14) by substitution.

10 MOUSE

- (A) Type in and run the following Basic program to check the Mouse circuits. NOTE: This program will not work with PRODOS.

```

10 PR#4: PRINT CHR$(1)
20 IN#4
30 INPUT " "; X,Y,B
40 IN#0: PR#0
50 HOME
60 PRINT "X", "Y", "BUTTON"
70 PRINT X,Y,B
80 FOR T = 1 TO 300: NEXT T
90 GOTO 30
    
```

This program will print the X and Y coordinates (0 to 1023) and the button Status (4 = button released, 3 = button just released, 2 = button just pressed, and 1 = button held down) on the Monitor screen. The button Status number will be negative if a key on the keyboard is pressed.

- (B) If the Mouse is not working, check Connector J3 for good connections. Also check the mouse cable.
- (C) With the above program running, check for pulses at pin 7 of MUX (Multiplexer) IC (UF3). If the pulses are missing at pin 7 of UF3, check the MMU (Memory Management Unit) IC (UE16) by substitution.
- (D) If the pulses are present at pin 7 of IC UF3, check IOU (Input/Output Unit) IC (UE14) by substitution.

PRELIMINARY SERVICE CHECKS (Continued)

SERVICE CHECKS (Continued)

⑪ JOYSTICKS

- (A) Type in and run the following Basic program to check the operation of the joystick circuits.

```

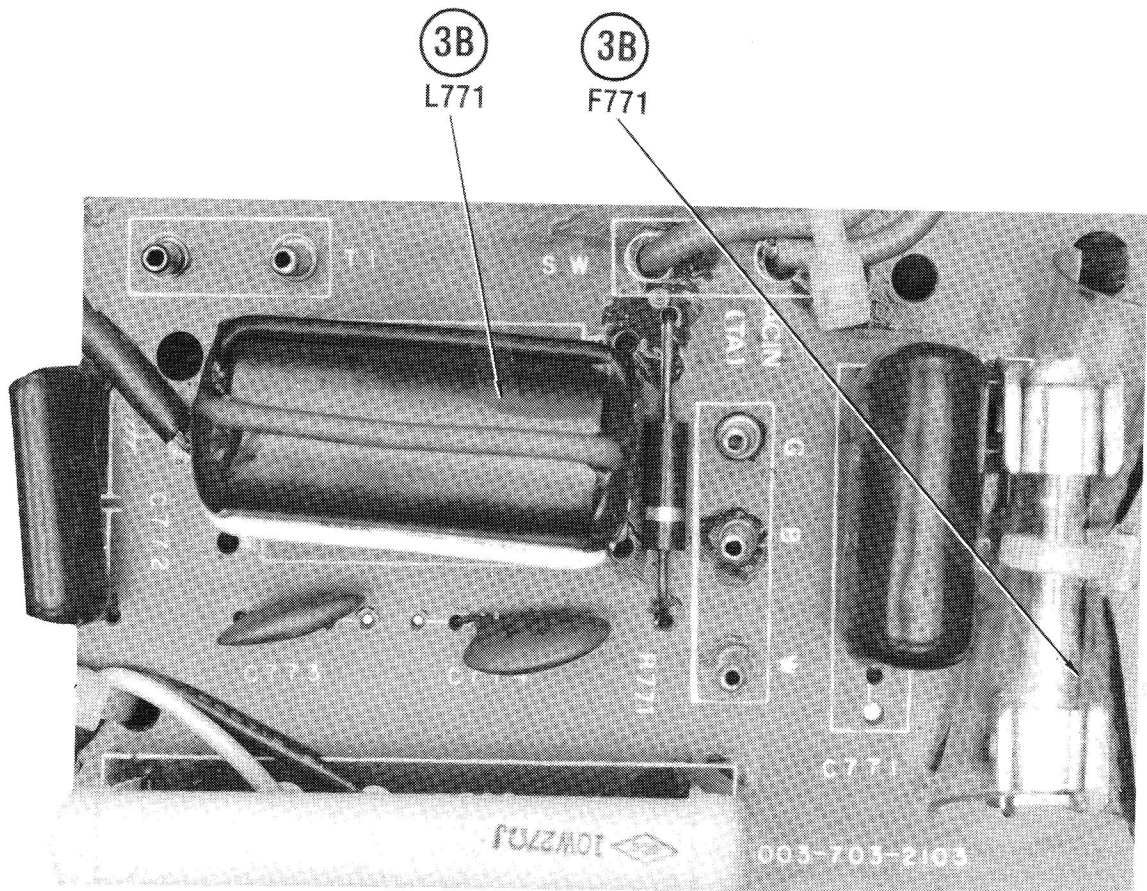
10 HOME
20 PRINT "X POSITION", PDL(0)
30 PRINT "Y POSITION", PDL(1)
40 PRINT "SWITCH 0 =", PEEK (- 16287)
50 PRINT "SWITCH 1 =", PEEK (- 16286)
60 FOR T = 1 TO 300: NEXT T
70 GOTO 10
    
```

This program scans the joystick circuit and displays "X POSITION" and "Y POSITION", each followed by a number from 0 to 255. Also displayed on the Monitor is "SWITCH 0" and "SWITCH 1", each followed by a number. When the joystick is moved to the extreme right, the "X POSITION" will read 255 and it will read 0 when the joystick is moved to the extreme left. When the joystick is moved to the extreme lower position, the "Y POSITION" will read 255 and will read 0 when the joystick is at the top. The number displayed after "SWITCH 0" and "SWITCH 1" will be 127 or less until the pushbutton is pressed. When the left pushbutton is pressed "SWITCH 0" will read 128 or more and "SWITCH 1" will read 128 or more when the top pushbutton is pressed.

- (B) If the joystick inputs are not functioning, check Connector J3 for good connections. Also check the joystick cable.
- (C) With the above program running, check for pulses at pin 6 of the Paddle IC (UF2) and at pin 7 of the MUX (Multiplexer) IC (UF3). If the pulses are missing at either pin 6 of UF2 or pin 7 of UF3, check the MMU (Memory Management Unit) IC (UE16) by substitution.
- (D) If pulses are present at pin 6 of IC UF2 and at pin 7 of IC UF3 and the joysticks are not functioning, check the IOU (Input/Output Unit) IC (UE14) by substitution.
- (E) With the above program running, check for pulses at pins 5 and 9 of Paddle IC (UF2). If the pulses are present at both pins 5 and 9 of IC UF2, check the IOU (Input/Output Unit) IC (UE14) by substitution.

⑫ LOW POWER MONITOR

- (A) If the green Power LED is flashing, check the DC power at pin 5 of Power Connector J1. If the voltage is below 10V, replace or repair the Power Pack. If the voltage is above 10V, the Low Power Detector circuit is defective.

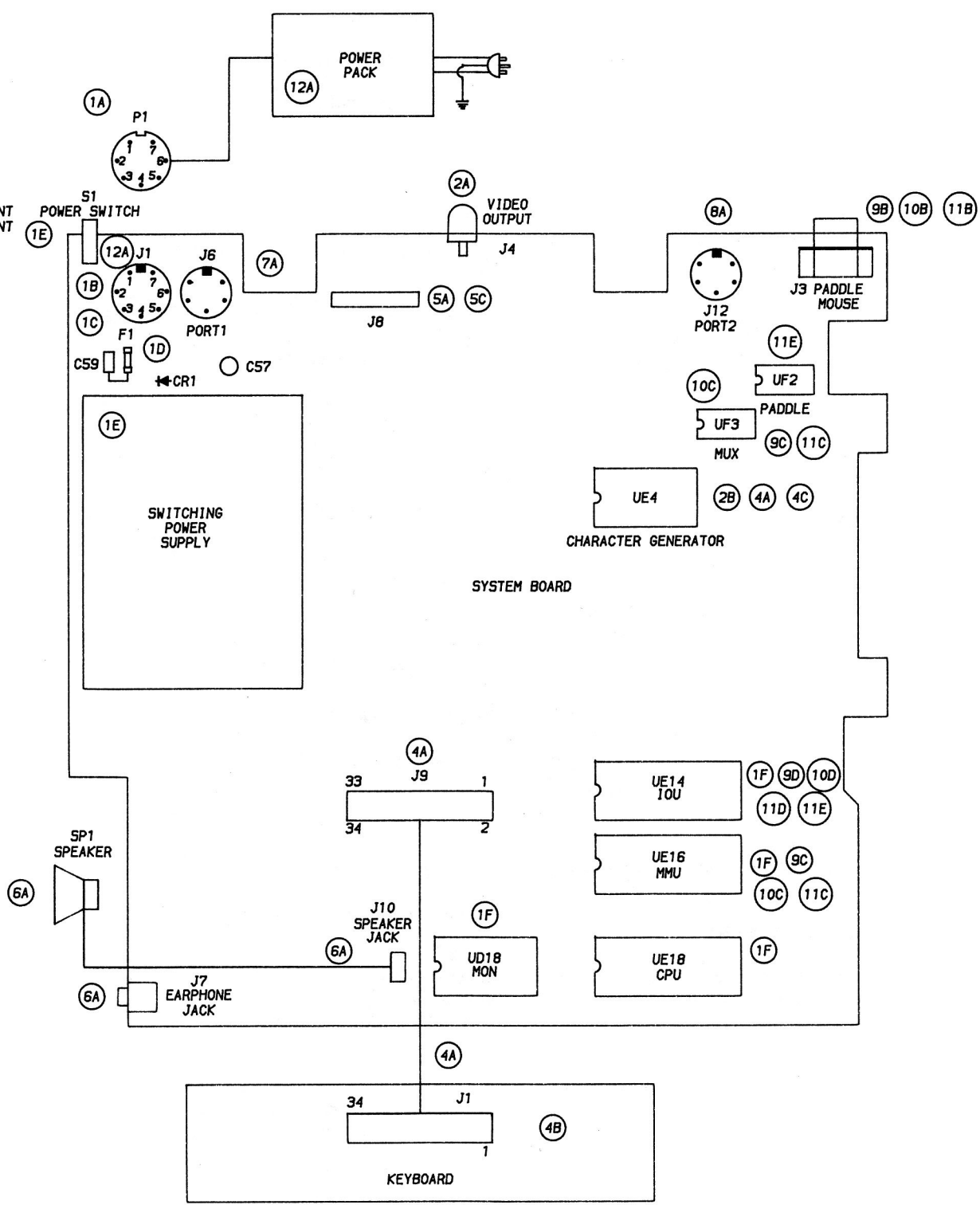


MONITOR POWER SUPPLY BOARD

PRELIMINARY SERVICE CHECKS (Continued)

AGE
5V
0V
1V
0V
5V
30V
78V

)-ARF-SB



CS7
APPLE
MODEL IIC

INTERCONNECTING DIAGRAM

PRELIMINARY SERVICE CHECKS (Continued)

MISCELLANEOUS ADJUSTMENTS

DISK DRIVE

MOTOR SPEED ADJUSTMENT

Run the following program to keep the Disk Drive running continuously.

10 X = PEEK (- 16151): X = PEEK (- 16150)

Insert a diskette into the Disk Drive and close the door. Set the Disk Drive on its side so the strobe pattern on the spindle pulley is visible. Use a fluorescent light to view the strobe pattern. Use the outside pattern if a 60 cycle light is being used or the inside pattern if a 50 cycle light is being used. Adjust the Speed Control (VR1) until the strobe pattern appears to stand still.

MONITOR BOARD

ALIGNMENT TOOLS	GC ELECTRONICS
L503	5000, 5009, 8276
L505	9440, 8282, 8606

NOTE: Pattern generator with 1Vp-p into 75 ohms (VTR Standard) output used with appropriate pattern.

INITIAL MONITOR TEST

Connect a crosshatch generator to the Video In Jack. Turn the Monitor On and adjust the Brightness and Contrast controls for the best display. Check the adjustment of the Vert Hold, Horiz Hold, Vert Lin, Vert Size and Focus controls. If any of these controls produce erratic operation, clean that control with contact cleaner and recheck.

ADJUSTMENTS

NOTE: Connect a crosshatch generator to the Video In Jack for the following adjustments.

FOCUS ADJUSTMENT

Adjust the Focus Control (VR502) for sharp, well defined lines on the display.

VERT AND HORIZ HOLD ADJUSTMENT

Adjust the Vert Hold Control (VR401) and Horiz Hold Control (VR501) for the most stable display.

VERT SIZE ADJUSTMENT

Adjust the Vert Size Control (VR403) for the desired height on the display.

VERT LIN ADJUSTMENT

Adjust the Vert Lin Control (VR402) for even spacing between the vertical lines on the display.

VOLTAGE REGULATOR ADJUSTMENT

Connect a voltmeter to the collector of Voltage Regulator Transistor (Q701). Adjust the Voltage Regulator Control (VR701) for 12.0V.

SUB BRIGHTNESS ADJUSTMENT

Connect a crosshatch generator to the Video In Jack. Set the Brightness and Contrast Controls to Maximum clockwise position.

Adjust the Sub Brightness Control (VR503) for Maximum brightness without retrace lines.

CENTERING ADJUSTMENT

Center the CRT display by adjusting the two magnetic centering rings located on the deflection yoke rear cover.

HORIZ LIN ADJUSTMENT

Adjust the Horiz Lin Coil (L503) for even spacing between the horizontal lines on the display.

WIDTH ADJUSTMENT

Adjust the Width Coil (L505) for the desired width on the display.

SUB CONTRAST

Set the Brightness and Contrast Controls to Maximum clockwise position. Adjust the Sub Contrast Control for best display with no distortion.

SYSTEM BOARD

ALIGNMENT TOOLS

	GC ELECTRONICS
L2	9300, 9302, 9304

HUE ADJUST

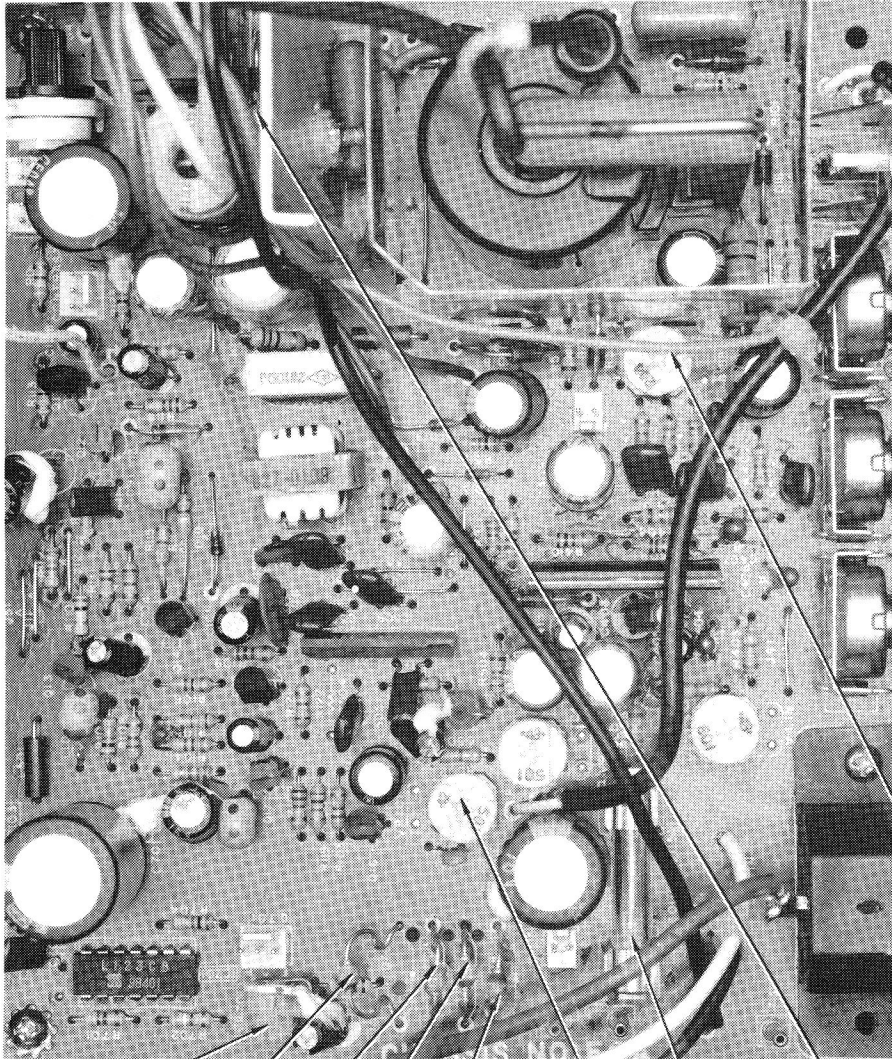
Type in and run the following Basic program.

```
10 GR
20 FOR X = 20 TO 22
30 READ Y: COLOR = Y
40 HLIN 0,39 AT X: NEXT X
50 DATA 2,9,12
```

The program produces blue, orange and green lines on a color Monitor screen. Adjust Hue Adjust Coil (L2) for proper blue, orange and green hues.

PRELIMINARY SERVICE CHECKS (Continued)

CSCS7
 APPLE
 MODEL IIc



B +
 ADJUST
 VR701
 (3E)

{ D701
 D703
 D702
 D704 }
 (3C) (3E)

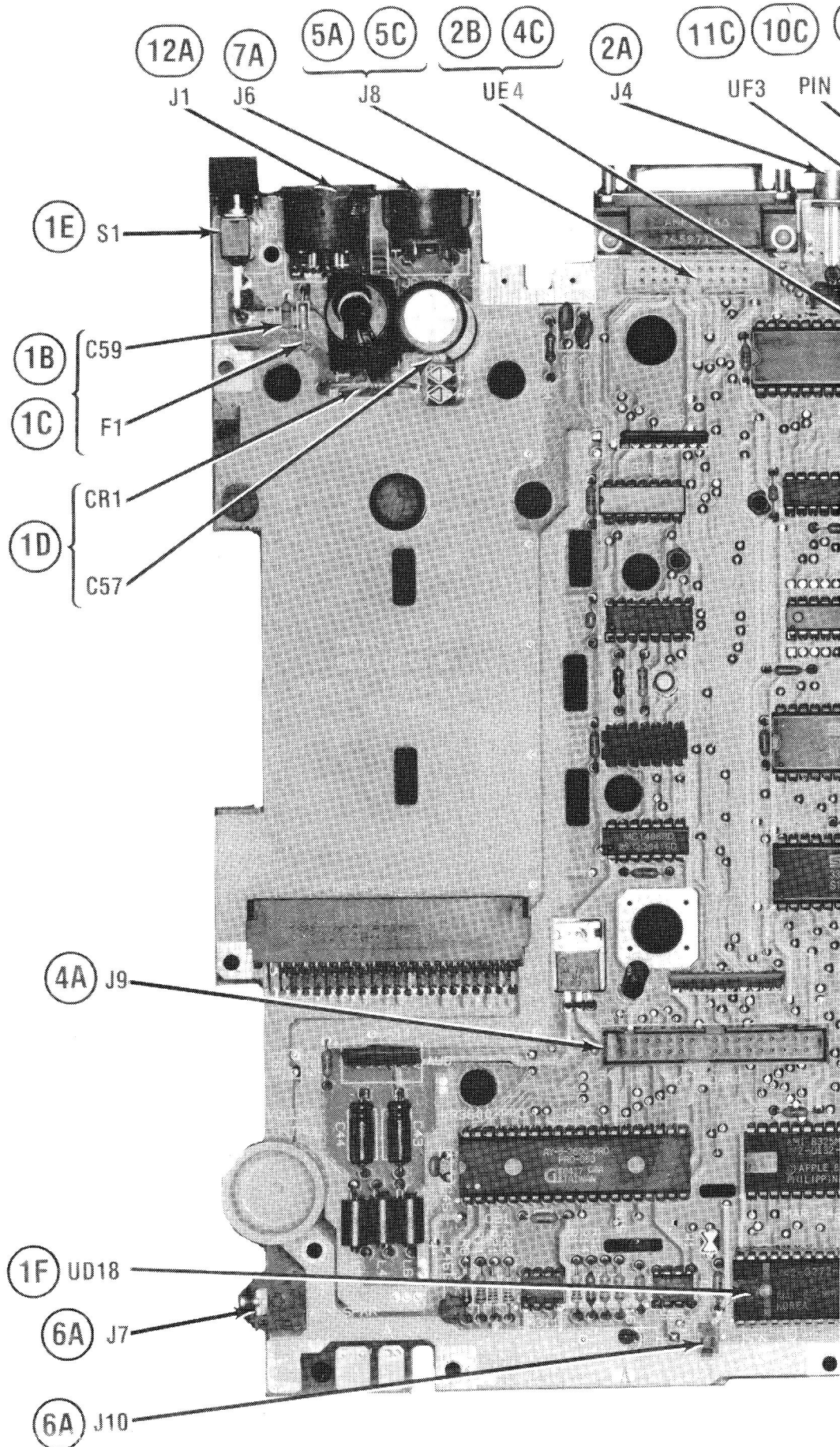
SUB-
 CONTRAST
 VR101
 (3H)

(3D) F701

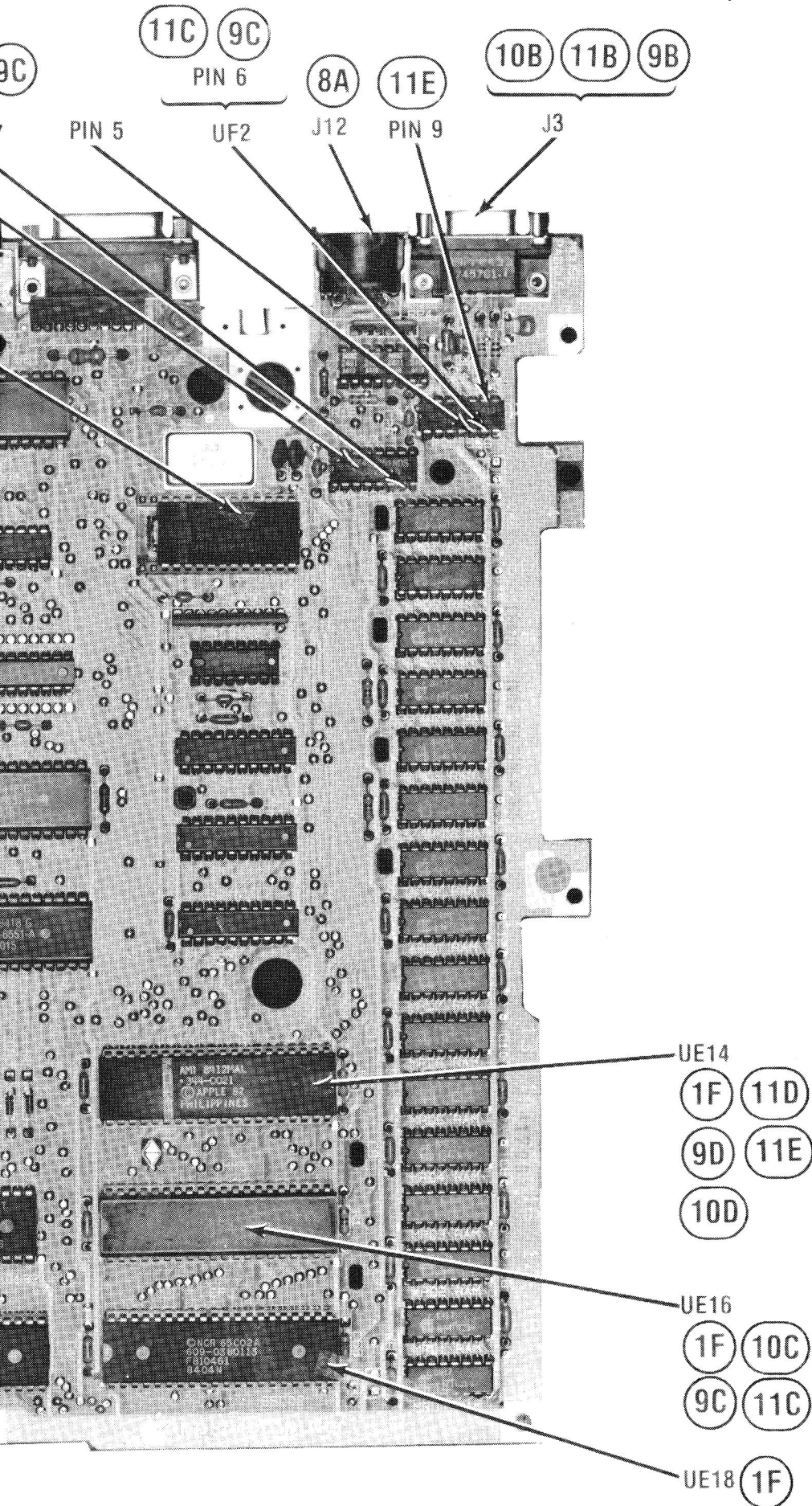
(3G)
 HORIZONTAL
 OUTPUT
 TRANSISTOR
 Q18

J1
 VR503
 SUB-BRIGHTNESS
 (3A) (3H)

PRELIMINARY SERVICE CHECKS (Continued)



PRELIMINARY SERVICE CHECKS (Continued)

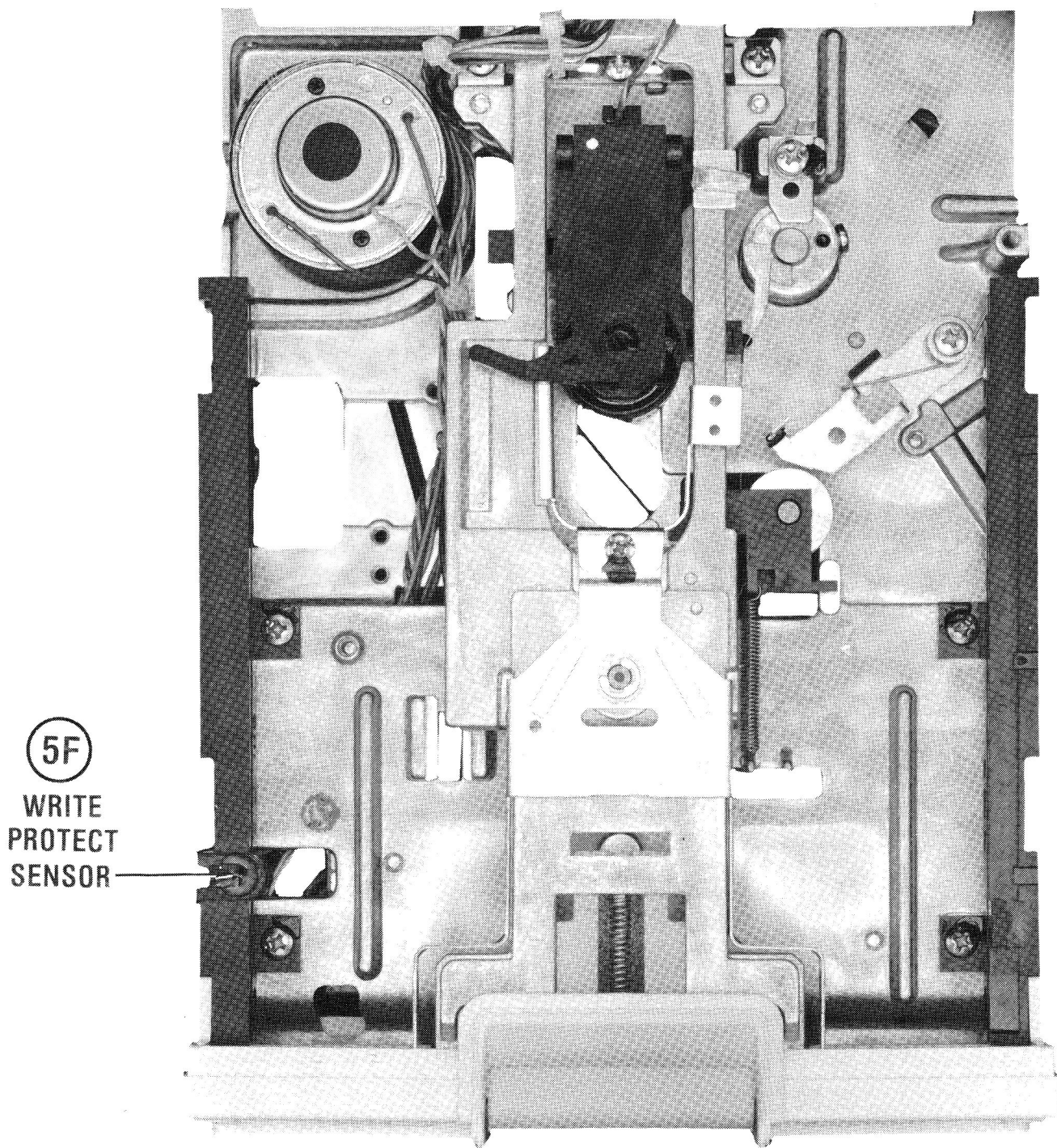


APPLE
MODEL IIc

SYSTEM BOARD

IX

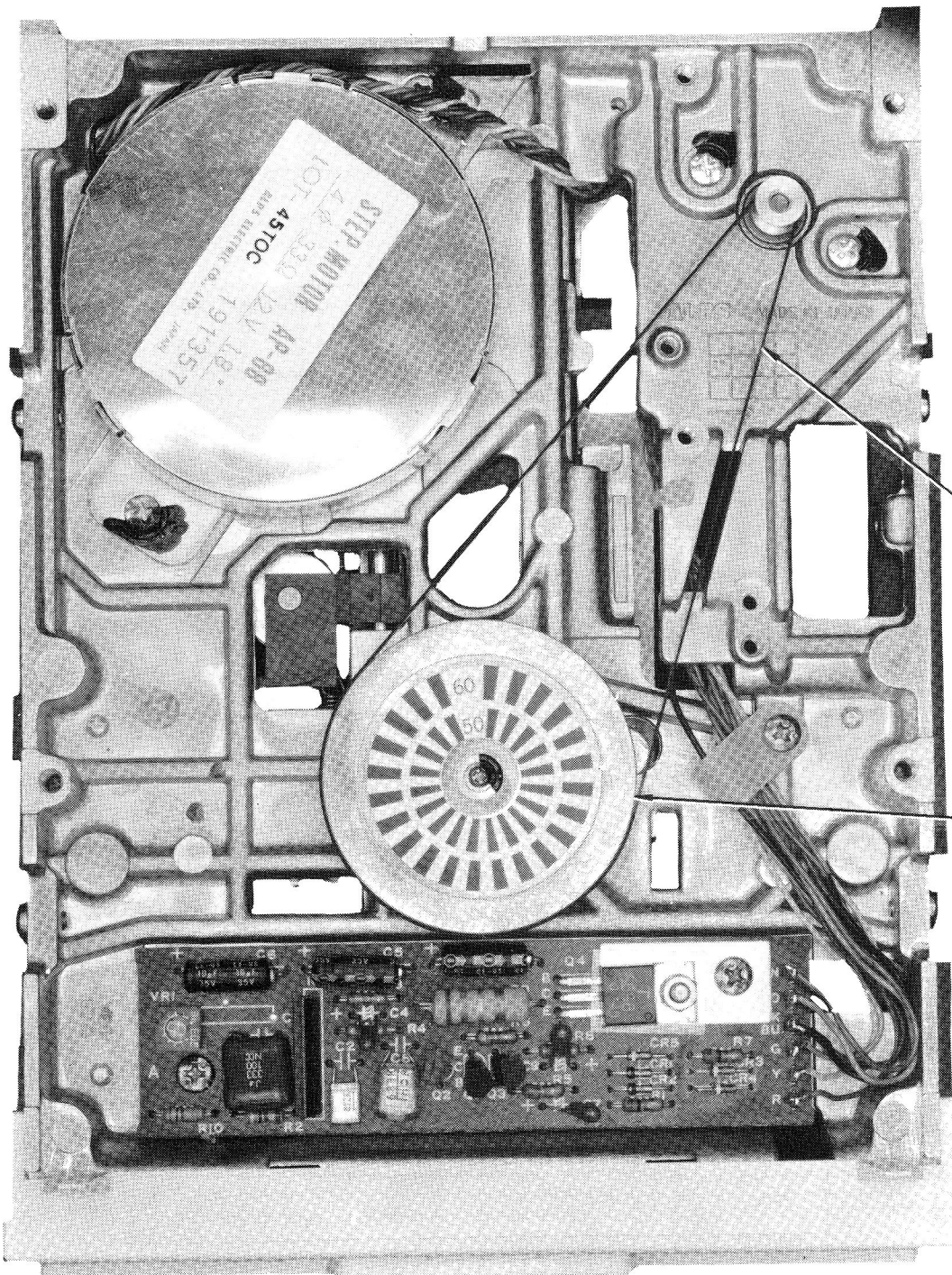
PRELIMINARY SERVICE CHECKS (Continued)



MECHANICAL-TOP VIEW

X

PRELIMINARY SERVICE CHECKS (Continued)



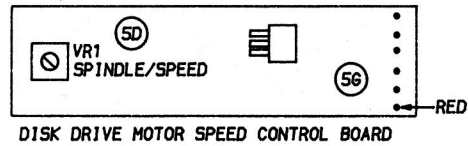
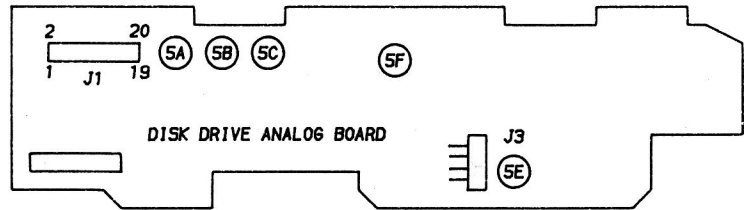
DRIVE BELT (5G)

M1 DRIVE MOTOR (5G)

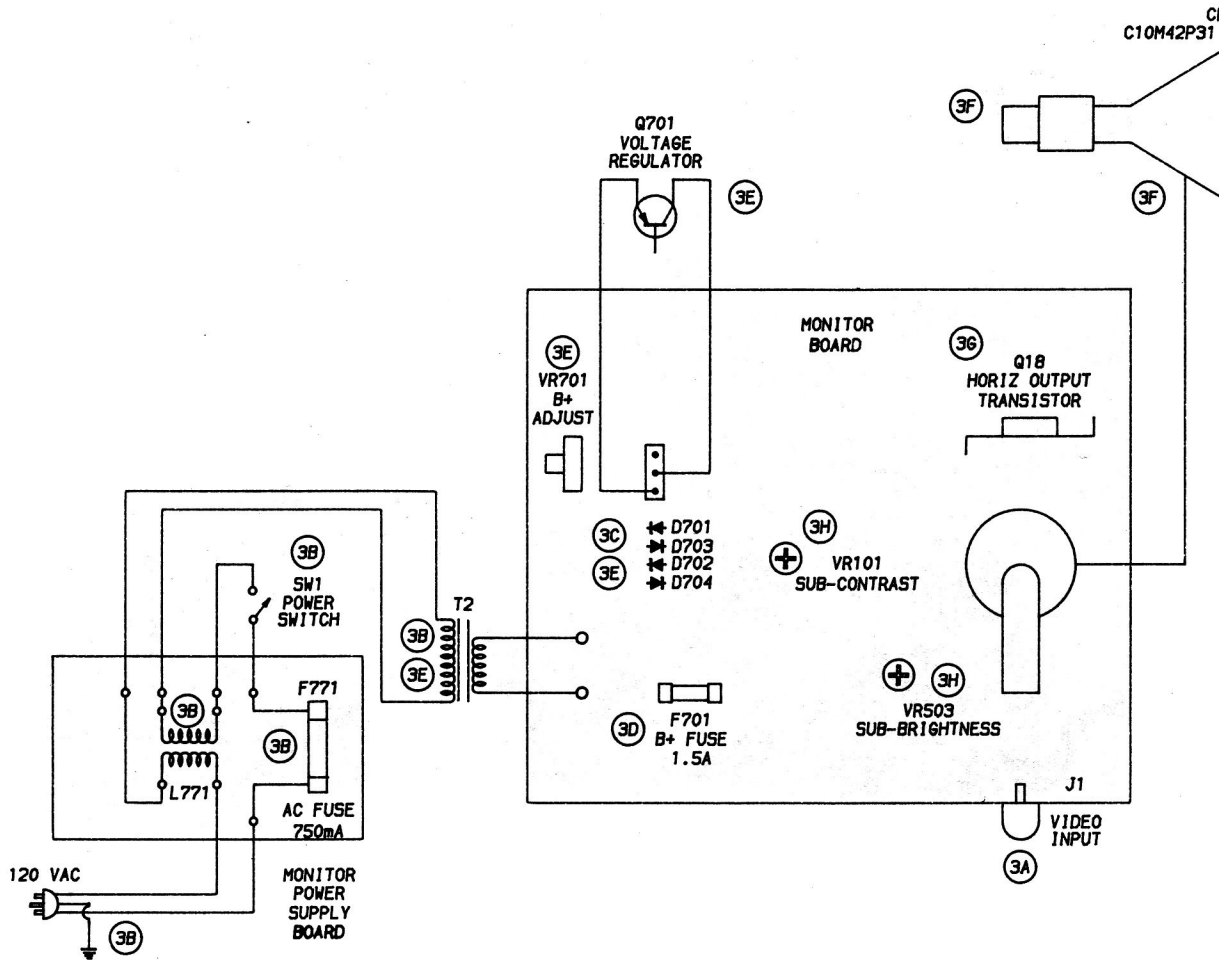
APPLE
MODEL IIc

MECHANICAL-BOTTOM VIEW

PRELIMINARY SERVICE CHECKS (Continued)

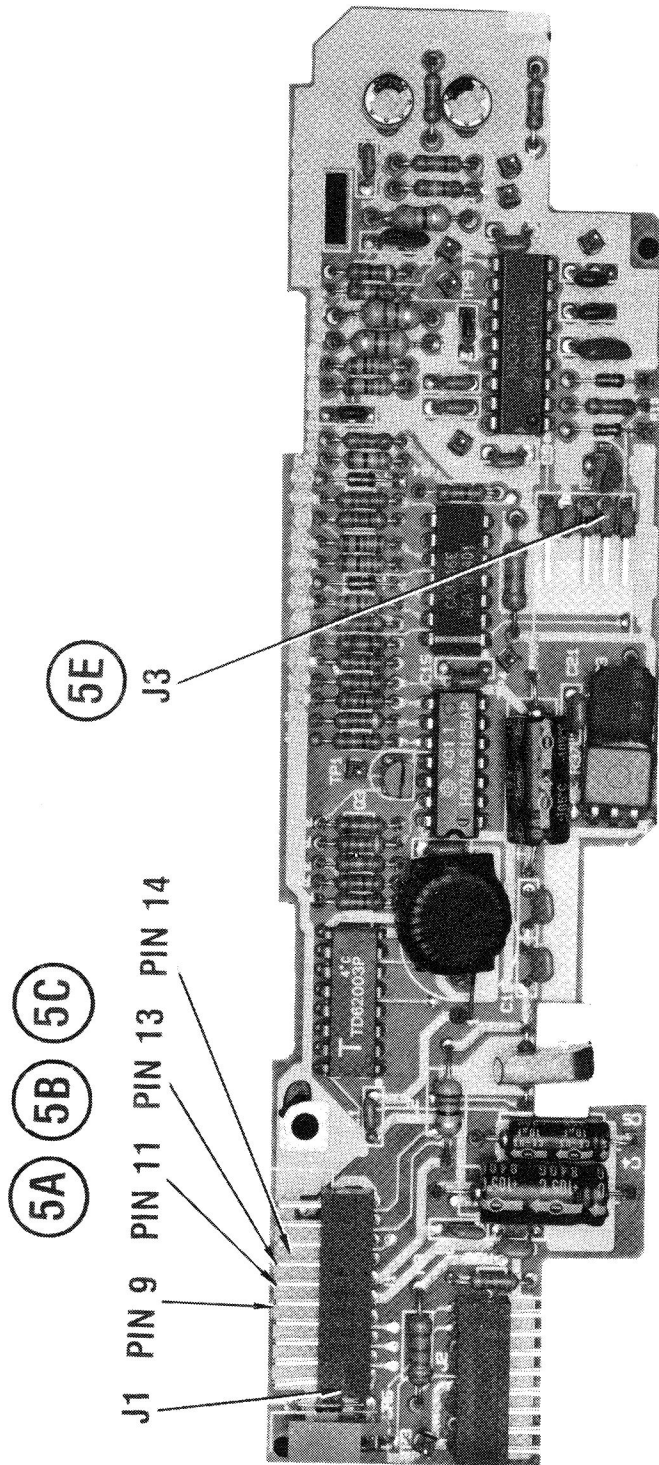


CRT PIN	VOL
1	-1
2	4
3	1
4	-1
5	
6	
7	



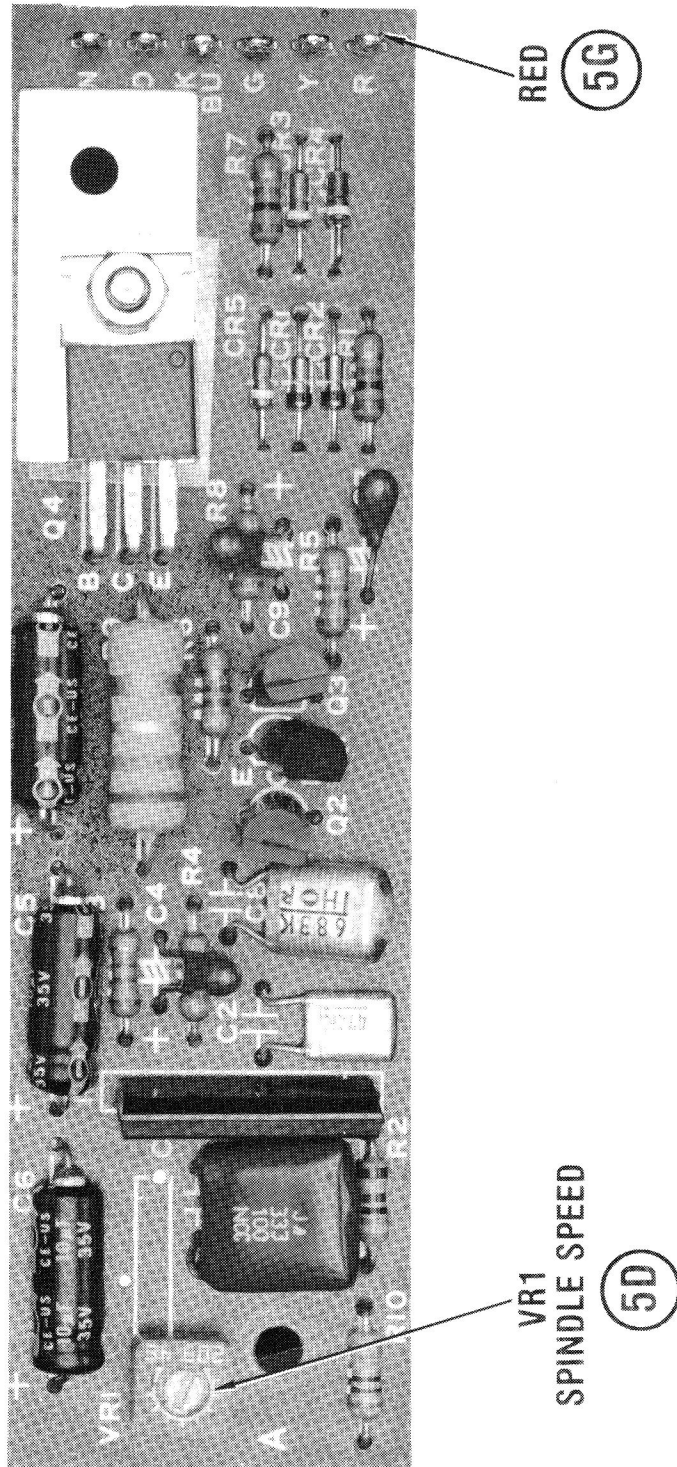
INTERCONNECTING DIAGRAM

PRELIMINARY SERVICE CHECKS (Continued)



APPLE
MODEL IIC

PRELIMINARY SERVICE CHECKS (Continued)



VR1
SPINDLE SPEED
5D

RED
5G

DISK DRIVE MOTOR SPEED CONTROL BOARD

PRELIMINARY SERVICE CHECKS (Continued)

PREVENTATIVE MAINTENANCE

ENVIRONMENT

Computers perform best in a clean, cool area that is below 80 degrees Fahrenheit and free of dust and smoke particles. Even though home Computers are not affected by cigarette smoke as much as commercial Computers are affected, it is better to maintain a smoke-free area around the Computer. Do not block cabinet vents of any of the Computer system; Computer, Monitor, Printer, or other power devices.

ELECTRICAL POWER

Variations in the line voltage can affect the Computer. Try to avoid these fluctuations by using an AC receptacle that is on a power line not used by appliances or other heavy current demand devices. A power-surge protector, power-line conditioner, or non-interruptible power supply may be needed to cure the problem. **Do not** switch power On and Off frequently.

KEYBOARD

Liquids spilled into the Keyboard can ruin it. Immediately after a spill occurs, disconnect the Computer power plug from AC power outlet. Then, if circuitry or contacts are contaminated, disassemble the Keyboard and carefully rinse the Keyboard printed circuit board with distilled water and let it dry. Use a cotton swab to clean between the keys. Use a non-abrasive contact cleaner and lint-free wipers on accessible connectors and contacts.

DISK DRIVES

Clean the read/write heads of the Disk Drives about once a month or after 100 hours usage. Use only an approved head cleaning kit.

Handle carefully to preserve proper disk head alignment. A sudden bump or jolt to the Disk Drives can knock the disk head out of alignment. If the disk drive must be transported, place an old disk in slot and close door during transport.

Store disks in their protective covers and never touch the disk surface. Observe the disk handling precautions usually found on the back of disk protective covers.

PRINTERS

Carefully vacuum the Printer regularly. Wipe surface areas clean using a light all-purpose cleaner. Do not oil the machine. The oil will collect abrasive grit and dust. The dust will act as a blanket. This can cause components to overheat and fail.

STATIC ELECTRICITY

Static electricity discharge can affect the Computer. In order to minimize the possibility, use anti-static mats, sprays, tools and materials, and maintain good humidity in the Computer environment.

MONITOR

Use an isolation transformer with any Monitor that does not come as part of the system since some Monitors use a HOT chassis (chassis connected to one side of the AC line). The face of the Monitor should never be left on for long periods of time at high brightness level except when pattern is being changed periodically. Use caution when cleaning anti-glare screens, to preserve the glare-reduction feature.

APPLE
MODEL IIC

PRELIMINARY SERVICE CHECKS (Continued)

GENERAL OPERATING INSTRUCTIONS

POWER UP

The Computer will boot up automatically on any bootable diskette that is in the Disk Drive when turned On. If no diskette is in the Disk Drive when the Computer is turned On, the Computer will come up with "Apple IIc" and "Check Disk Drive" on the Monitor screen. Press the Control and Reset keys at the same time to put the Computer in Basic mode.

SWITCHING FROM BASIC TO MONITOR MODE

Type CALL-151 and press RETURN key. An asterisk will appear on the Monitor screen indicating the Computer is in the Monitor mode.

SWITCHING FROM MONITOR TO BASIC MODE

Press the CONTROL and C keys at the same time, then press the RETURN key (any Basic program already in memory, before going to the Monitor mode, will remain in memory).

Press the CONTROL and B keys at the same time, then press the RETURN key (any Basic program in memory will be lost).

RESET

Press the CONTROL and RESET keys at the same time to reset the Computer to Basic mode. Press the OPEN APPLE key (located on the left side of SPACE bar), CONTROL key and RESET key at the same time to reboot the system on any bootable diskette in the Disk Drive.

OPERATING THE DISK SYSTEM FROM BASIC MODE (DOS3.3)

Type CATALOG and press the RETURN Key to get a list of the programs which are on the diskette. Type CATALOG, D1 for Disk Drive 1 or CATALOG, D2 for Disk Drive 2 if the current Disk Drive is not the one desired.

Type LOAD and the program name, then press the RETURN key to load a program from the diskette.

Type SAVE and the program name, then press the RETURN key to save a program on the diskette.

BOOTING UP THE DISK OPERATING SYSTEM (DOS)

Insert a diskette containing a DOS into the Disk Drive and turn On the Computer. The Computer will automatically load the DOS and come up in Basic mode if DOS3.3 is used. If PRODOS is used the Computer will come up with menu of PRODOS features on the Monitor screen.

To boot from Basic mode, type PR#6 or 1N#6 and press the RETURN key. If there is no diskette in the Disk Drive, the Disk Drive will stop and the message "Check Disk Drive" will appear on the Monitor screen.

DOS can also be rebooted by pressing the OPEN APPLE key (located on left side of SPACE bar), CONTROL key and RESET key at the same time.

USING BLANK DISKETTES

A blank diskette must be initialized (DOS3.3) or Formatted (PRODOS) before it can be used to save data. To initialize a diskette using DOS3.3, boot the disk operating system from a diskette containing DOS3.3, remove the DOS3.3 diskette and put the blank diskette into the Disk Drive. Type INIT HELLO and press the RETURN key. The diskette will be initialized when the drive stops. NOTE: Any previous information on diskette will be over written and lost when initialized.

If PRODOS is being used, select the PRODOS FILER (press F key) from the menu that comes up when PRODOS is booted up. Select Volume Commands (press V key) from the second menu that comes up and then select Format A Volume (press F key) from the third menu that comes up. Insert the blank diskette into the Disk Drive and follow the instructions on the Monitor screen to format the diskette.

80/40 COLUMN SWITCH

This switch takes effect only if the program being used checks to see if the switch is down (40 column) or up (80 column). The program then automatically sets the 40 or 80 column mode according to the switch setting.

To select 80 column mode manually press the ESC key then press the 8 key or type PR#3 and press the Return key.

To select 40 column mode manually press the ESC key then press the Control and Q keys at the same time or type PR#0 and press the Return key.

DISASSEMBLY INSTRUCTIONS

CABINET REMOVAL

Turn the Computer upside down. Remove four screws from under the keyboard and two screws located in front of the handle. Turn the Computer right side up and extend the handle. Release the front latch tab. Lift the top front up and back to clear the rear panel.

DISK DRIVE REMOVAL

Remove four screws from cabinet bottom. Disconnect Disk Drive from System board and remove Disk Drive.

POWER SUPPLY REMOVAL

Remove two screws securing Switching Power Supply. Slide Switching Power Supply back and remove from Connector. To remove Switching Power Supply board from shield, remove the two screws near the edge connector and loosen the screw on the side of the shield. Slide the shield backward to free lock tabs and carefully separate from board.

SYSTEM BOARD REMOVAL

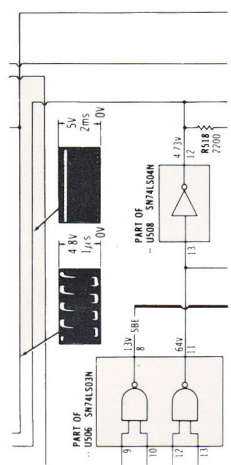
Disconnect the speaker. Remove nine screws holding System board and remove.



COMPUTERFACTS™ put easy to use, informative technical data right at your fingertips. Each edition includes specific service information on the individual component, along with some overall troubleshooting hints.

The following information is just a sample of the many valuable time saving features contained in this exclusive Sams COMPUTERFACTS publication:

- Preliminary Service Checks section is an easy to use, step by step guide for the experienced technician or hobbyist, and even beginners.
- SAMS famous industry accepted standardized notation schematics containing CIRCUITRACE®, GRID TRACE™, waveforms, voltages and stage identification.



- Step by Step Troubleshooting guides the technician through the necessary procedures to quickly locate the problem.

TROUBLESHOOTING

MICROPROCESSOR CHIP (CPU) OPERATION

Verify the processor is functioning by checking the signals on the address lines (pins 10 thru 24 of IC U100) and the data lines (pins 41 thru 56) using a logic probe or oscilloscope. If logic probe readings are satisfactory, check the waveforms on the address lines (pins 10 thru 24) and 23 which have no signal in Power Up mode should be similar to Figure 1. The waveforms on the data lines should be similar to Figure 2.

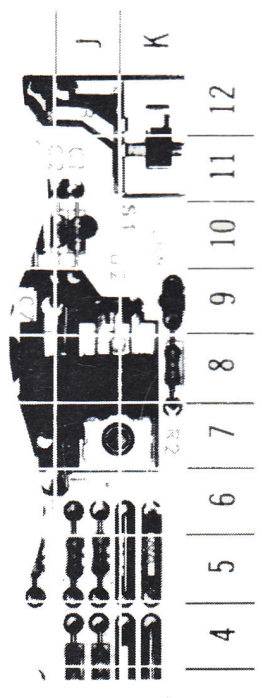
- Logic Chart containing logic probe readings to isolate defective circuitry and components.

LOGIC

PIN NO.	IC U100	PIN NO.	IC U100	IC U102	IC U103	IC U104	IC U105	IC U106	IC U107	IC U108	IC U109
1	P	21	P	1	L	L	L	L	L	L	L
2	P	22	P	2	P	P	P	P	P	P	P
3	P	23	P	3	H	H	H	H	H	H	H

If seal is broken, nonreturnable.

- Quick Component Location using the SAMS exclusive GRIDTRACE, CIRCUITRACE, and component photographs.



- Complete Components Parts List in an easy to use format with field replacements shown when possible. SAMS unique semiconductor, chip and IC cross-reference gives you many replacements to choose from and is available at your Electronic Distributor.

SEMICONDUCTORS (Select replacement for best results)

ITEM NO.	TYPE NO.	MFR. PART NO.	REPLACEMENT DATA						WORKMAN PART NO.	ZENITH PART NO.
			EGG PART NO.	GENERAL ELECTRIC PART NO.	MOTOROLA PART NO.	NTE PART NO.	RCA PART NO.			
D102	1S553	1149-2576	EG519	GE-514	1N4935	NTE519	5K9021/177	411925/519	103-131	
D103	1N60FM	1149-2527	EG509	1N60	1N4004	NTE109	5K3088	411134/109	103-2901	
D201	1N4004GP	1201-4205	EG516	GE-504A	1N4935	NTE116	5K3312	411157	212-76-02	
D903	1S553	1149-2576	EG519	GE-514	1N4935	NTE519	5K9021/177	411925/519	103-131	

CIRCUITRACE is a registered trademark of Howard W. Sams & Co., Inc. COMPUTERFACTS and GRIDTRACE are trademarks of Howard W. Sams & Co., Inc. Apple is a registered trademark of Apple Computer, Inc.

To order, see your Sams Representative, or telephone 800-428-SAMS.

SAMS Howard W. Sams & Co., Inc.
A Subsidiary of Macmillan, Inc.
4300 West 62nd Street, Indianapolis, Indiana 46268 U.S.A.

CSCS7
08960

ISBN: 0-672-08960-2